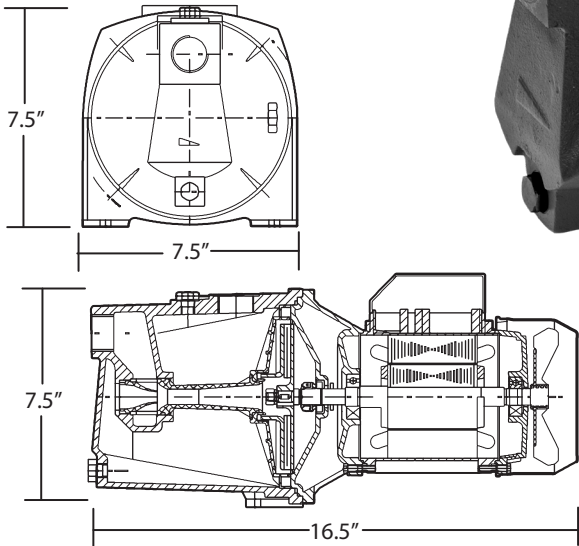


## 1 HP SHALLOW WELL JET PUMP

- 1 HP dual voltage motor (115/230v -10/5 amps)
- Built-in thermal overload protection for safety
- Rugged cast iron pump body for durability
- Tough thermoplastic impeller
- Glass filled thermoplastic diffuser
- Cast iron seal plate
- Pre-mounted, fully adjustable pressure switch
- For shallow well application up to 25' depth
- Maximum pressure: 79 psi
- Pressure switch pre-set to 20/40 PSI
- 1-1/4" NPT suction
- 1" NPT discharge



### PERFORMANCES

Approximate gallon per minute output at 40 psi							Maximum Pressure
Lift	0'	5'	10'	15'	20'	25'	
GPM	13	12.5	12	11	10.5	9.3	79 psi

### TECHNICAL SPECIFICATIONS

Model	HP	Amps	Suction Size	Discharge/ Drive Port Size	Pressure Switch	Max Pressure	Max Flow Rate	Warranty
94115	1	10/5	1-1/4"	1"	20/40	79 psi	15.5 GPM	3 Year