

BE SERIES - 1/2 HP, 3/4 HP

APPLICATIONS

Dewatering, flood irrigation, livestock watering, and for pumping septic tanks to the leach field

FEATURES

- Higher than NEMA service factor dual compartment motor
- Designed for continuous duty
- Built-in check valve
- Handles solids up to 1/4" (6.4 mm) diameter
- 1-1/4" (31.75 mm) NPT discharge
- 120 °F (49 °C) liquid temperature rating
- CSA listed



SERIES SPECIFICATIONS

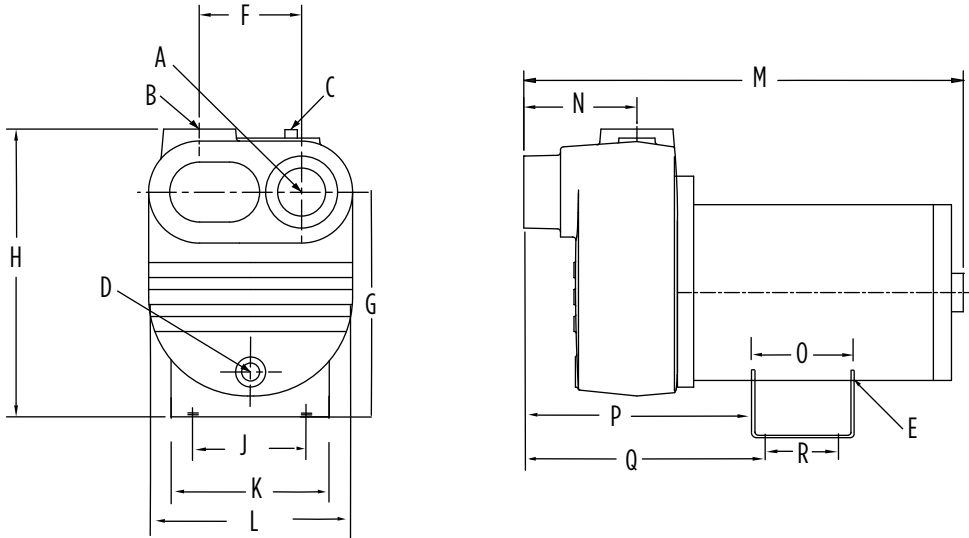
| HP | Volts | Hz | Amps | | Watts | Performance (GPM @ Height in Feet) | | | | | | | | Shut-Off (ft) | PSI |
|-----|---------|----|----------|-----------|-------|---------------------------------------|-----|-----|-----|-----|-----|-----|----|------------------|-----|
| | | | FLA | Start | | 20' | 25' | 30' | 35' | 40' | 45' | 50' | | | |
| 1/2 | 115/230 | 60 | 8.4/4.2 | 42/21.60 | 810 | 45 | 39 | 31 | 24 | 16 | 8 | - | 50 | 21.6 | |
| 3/4 | 115/230 | 60 | 14.3/7.1 | 71.5/36.2 | 1000 | 58 | 53 | 44 | 36 | 29 | 18 | 10 | 56 | 23.8 | |

| Item No. | Model | HP | Volts | Switch Type/ Operation | Weight |
|----------|--------|-----|---------|---------------------------|--------------------|
| 621815 | BE-S50 | 1/2 | 115/230 | Manual | 42 lbs 19.05 Kg |
| 621825 | BE-S75 | 3/4 | 115/230 | Manual | 49 22.23 Kg |

EFFLUENT PUMPS

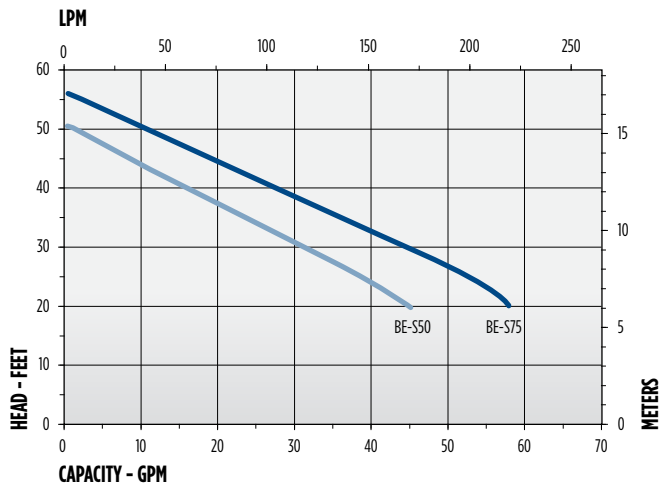
BE SERIES - 1/2 HP, 3/4 HP

ENGINEERING DATA



| Model | A | B | C | D | E | F | G | H | J | K | L | M | N | O | P | Q | R |
|--------|-------------------|-------------------|-----------------|-----------------|-------------------------------|------------------|-------------------|----------------|------------------|------------------|-----------------|-------------------|-----------------|------------------|------------------|------------------|---------------|
| BE-S50 | 1-1/4" 3.18 cm | 1-1/4" 3.18 cm | 1/2" 1.27 cm | 1/2" 1.27 cm | .43" x .93" 1.09 x 2.36 cm | 4.25" 10.8 cm | 7.25" 18.42 cm | 10" 25.4 cm | 4.9" 12.45 cm | 6.5" 16.51 cm | 7.6" 19.3 cm | 15.3" 38.86 cm | 3.1" 7.87 cm | 4.9" 12.45 cm | 5.5" 13.97 cm | 6.8" 17.27 cm | 3" 7.62 cm |
| BE-S75 | 1-1/4" 3.18 cm | 1-1/4" 3.18 cm | 1/2" 1.27 cm | 1/2" 1.27 cm | .43" x .93" 1.09 x 2.36 cm | 4.25" 10.8 cm | 7.25" 18.42 cm | 10" 25.4 cm | 4.9" 12.45 cm | 6.5" 16.51 cm | 7.6" 19.3 cm | 15.3" 38.86 cm | 3.1" 7.87 cm | 4.9" 12.45 cm | 5.5" 13.97 cm | 6.8" 17.27 cm | 3" 7.62 cm |

PERFORMANCE DATA



CONSTRUCTION

| | |
|--------------------------|-----------------|
| Motor Housing | Cast iron |
| Impeller Material | Cast iron |
| Impeller Type | Semi-open |
| Volute | Cast iron |
| Motor Shaft | Stainless steel |
| Shaft Seal | Carbon/ceramic |
| Fasteners | Plated steel |
| Bearings | Ball |
| Power Cord | None |