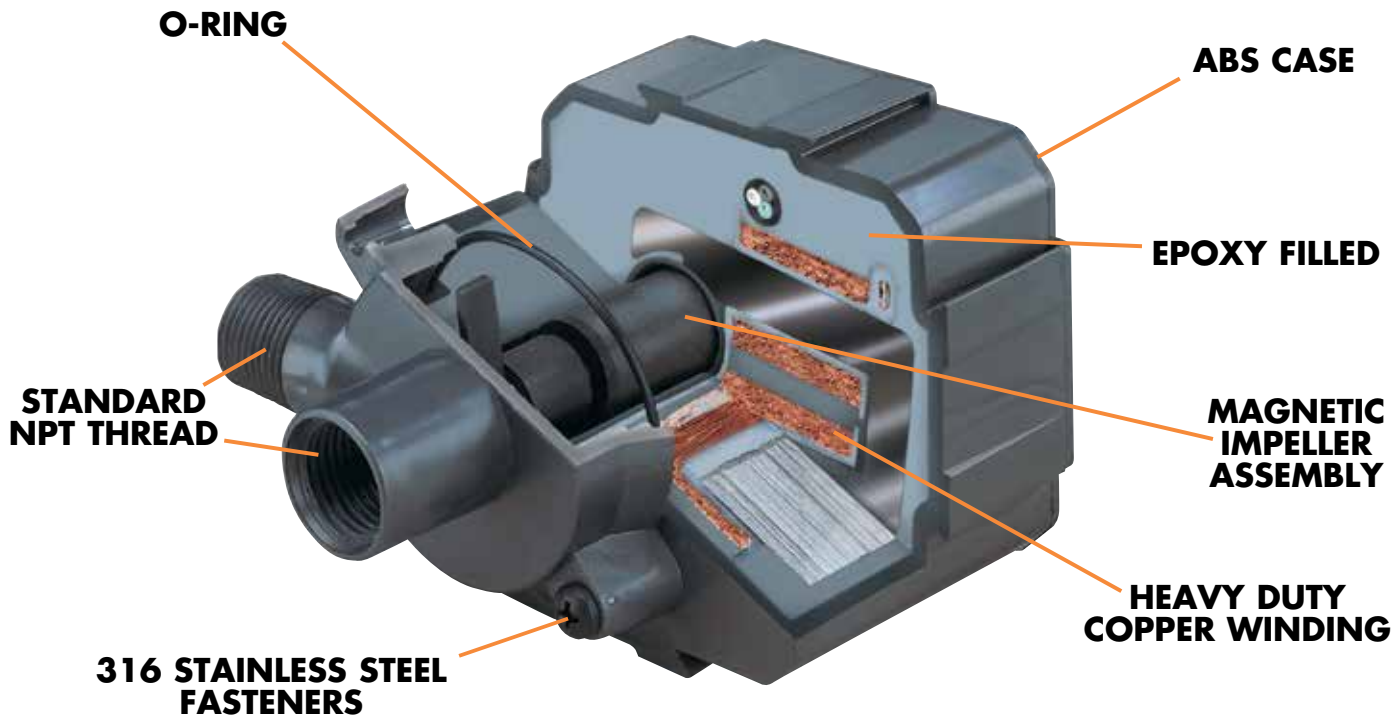


PONDMASTER®

POND-MAG® MAGNETIC DRIVE WATER PUMPS are the choice of consumers and industry professionals nationwide. They are engineered to run continuously without seals which wear out and because they are highly energy efficient, the savings gets passed on to the consumer. They are filled with epoxy, not oil, so they cannot leak oil and other harmful chemicals into the pond. All Pondmaster pumps are suitable for statuary, fountains, ponds, and aquariums. They are available in pumping capacities from 35 to 3600 GPH. Ask your retailer which Pondmaster Magnetic Drive Utility Pump is best for your particular application.

THE ANATOMY OF A PONDMASTER POND-MAG® MAGNETIC DRIVE WATER PUMP



PONDMASTER POND-MAG[®] MAGNETIC DRIVE WATER PUMPS

PONDMASTER POND-MAG 250 to 3600 SERIES PUMPS have been designed to handle virtually any application where water has to be moved. They have been fulfilling the needs of professionals and consumers for decades with efficient, quiet, and reliable 24/7 performance. Pondmaster Pond-Mag pumps are perfect for all pond environments and operate equally well inline or submerged. With only one moving part, a ceramic impeller, and an epoxy encased power unit, there is never a fear that it will contaminate water with harmful oils or chemicals.

OVERALL FEATURES INCLUDE:

- Durable Design ENGINEERED TO LAST!
- 5 Year Limited Warranty
- Rigid Pre-Filter Included
- Ceramic Shaft
- 18' Grounded Power Cords
- Operates Submerged or Inline
- UL Listed/Certified
- Packed 6 per Master Carton (250 to 700)
- Packed 2 per Master Carton (950 to 3600)
- Horizontal or Vertical Positioning (950 to 3600)



PM 500 shown with Rigid Pre-Filter



PM 700



PM 250 - ITEM# 02522

Max. Watts/Amps	24/0.4
Inlet	½" FPT
Outlet	½" MPT
Cord Length	18'
Dimensions (L x W x H)	5.0" x 3.8" x 4.2"

PM 500 - ITEM# 02525

Max. Watts/Amps	45/0.9
Inlet	½" FPT
Outlet	½" MPT
Cord Length	18'
Dimensions (L x W x H)	5.0" x 3.8" x 4.2"

PM 350 - ITEM# 02523

Max. Watts/Amps	35/0.6
Inlet	½" FPT
Outlet	½" MPT
Cord Length	18'
Dimensions (L x W x H)	5.0" x 3.8" x 4.2"

PM 700 - ITEM# 02527

Max. Watts/Amps	70/1.6
Inlet	½" FPT
Outlet	½" MPT
Cord Length	18'
Dimensions (L x W x H)	5.0" x 3.8" x 4.2"

PM NAME	PM ITEM #	Watts	Flow at 1'	Flow at 2'	Flow at 3'	Flow at 4'	Flow at 5'	Flow at 6'	Flow at 7'	Flow at 8'	Flow at 9'	Flow at 10'	Shut-Off (Feet)
PM 250	02522	24	280	230	170	130	65	25	-	-	-	-	6' 5"
PM 350	02523	35	420	375	325	280	235	190	140	90	30	-	10' 4"
PM 500	02525	45	525	450	400	350	300	235	200	150	95	-	10' 6"
PM 700	02527	70	655	605	565	530	450	420	325	275	200	110	11' 8"

PONDMASTER POND-MAG[®] MAGNETIC DRIVE WATER PUMPS

PM 950 - ITEM# 02720

Max. Watts/Amps	93/1.33
Inlet	¾" FPT
Outlet	¾" MPT
Cord Length	18'
Dimensions (L x W x H)	5.5" x 3.4" x 5"



PM 1200 - ITEM# 02722

Max. Watts/Amps	110/1.5
Inlet	¾" FPT
Outlet	¾" MPT
Cord Length	18'
Dimensions (L x W x H)	6.4" x 4.5" x 4.6"

PM 950 thru PM 3600



PM 1800 - ITEM# 02728

Max. Watts/Amps	145/1.55
Inlet	¾" FPT
Outlet	¾" MPT
Cord Length	18'
Dimensions (L x W x H)	6.4" x 4.5" x 4.6"

PM 2400 - ITEM# 02750

Max. Watts/Amps	237/2.2
Inlet	1" FPT
Outlet	1" MPT
Cord Length	18'
Dimensions (L x W x H)	7.5" x 4.0" x 4.6"



PM 1200
Positioned Horizontally



PM 3600 - ITEM# 02755

Max. Watts/Amps	256/3.0
Inlet	1" FPT
Outlet	1" MPT
Cord Length	18'
Dimensions (L x W x H)	7.5" x 4.0" x 4.6"

PM NAME	PM ITEM #	Watts	Flow at 1'	Flow at 2'	Flow at 3'	Flow at 4'	Flow at 5'	Flow at 6'	Flow at 7'	Flow at 8'	Flow at 9'	Flow at 10'	Flow at 15'	Shut-Off (Feet)
PM 950	02720	93	1010	930	900	840	770	710	650	600	530	475	-	13' 7"
PM 1200	02722	110	1190	1130	1065	940	900	840	795	730	630	570	-	13' 7"
PM 1800	02728	145	1300	1240	1170	1130	1040	1015	925	880	810	775	470	16' 6"
PM 2400	02750	237	2400	2350	2190	2030	1860	1730	1645	1510	1395	1380	830	17' 1"
PM 3600	02755	256	3060	2885	2775	2670	2595	2480	2365	2295	2205	2170	1615	22' 6"