

SERIES 'IPW' SELF-PRIMING CENTRIFUGAL POTABLE WATER PUMPS

BULLETIN
PP-631NSF
MAR. 2019



Certified to
NSF/ANSI 61 & 372

IDEAL FOR DRINKING WATER SYSTEMS



IPW Electric



IPW Pedestal



IPW Engine



IPW Hydraulic



IPW Kit

- **FDA GRADE/GRAS MATERIALS**

Stainless steel casing; FDA grade polypropylene internals with FDA grade elastomers; FKM like material seal, containing FDA grade carbon-ceramic smooth face & stainless steel cup. All hardware is stainless steel.

- **SUCTION LIFT UP TO 20 FEET (6M) VERTICAL**
(To 681 LPM or 23M TDH)

- **DUAL PORTS 1 1/2" FEMALE & 2" MALE NPT OR BSP**

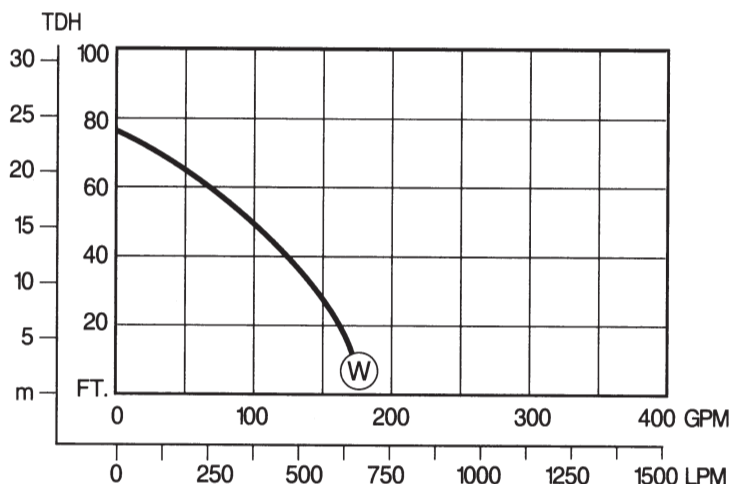
- **BUILT-IN CHECK VALVE AND DOUBLE FLUSH VOLUTE**

- **CERTIFIED TO NSF/ANSI 61 & 372**

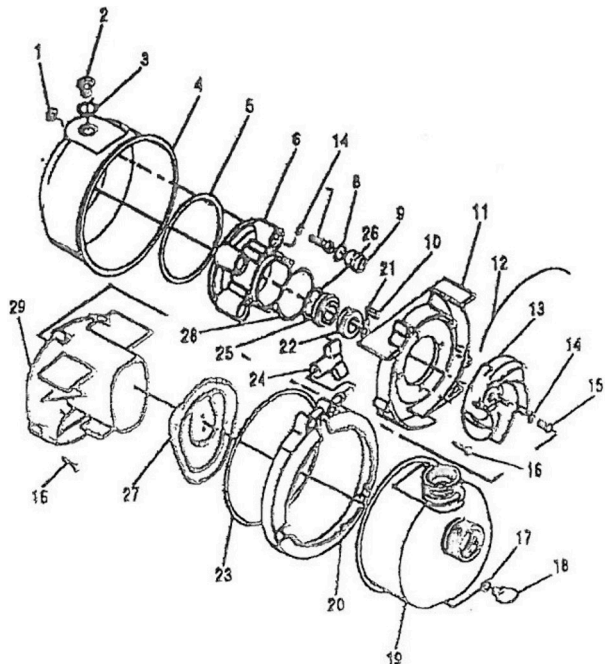
- **2-HOUR RUN-TIME (GAS ENGINE)**

- **AVAILABLE IN:**

PUMP WET END ONLY KITS IPW2WL
HYDRAULIC MOTOR IPW2WL HYC
HONDA GX160 GAS ENGINE IPW2WL E5HCP
B&S VANGUARD ENGINE IPW2WL E6VC
SINGLE-PHASE ELECTRIC MOTOR IPW2WL C3.0C
THREE-PHASE ELECTRIC MOTOR IPW2WL D3.0C
CAST-IRON PEDESTAL MOUNTED IPW2WL CSS



REFERENCE #	PACER PART #	DESCRIPTION	QTY. REQUIRED
1	P-58-1244 30	SPACER, POLYESTER, BLACK	4
2	P-58-0722 40N	PLUG, POLYPROPYLENE, WHITE	1
3	P-58-0765 72N	O-RING, FILLER PLUG, EDPM	1
4	P-58-1308 10	BODY, REAR, 316 STAINLESS STEEL	1
5	P-58-1361 72N	O-RING, SUPPORT, EPDM	1
6	P-58-1301 40N	SUPPORT, POLYPROPYLENE, WHITE	1
7	P-58-0715 10	SCREW, SUPPORT, 5/16"-24 X 1.25" LONG, STAINLESS STEEL	4
8	P-58-1245 72N	O-RING, SUPPORT SCREW PLUG, EPDM	4
9	P-58-1233 40N	PLUG, SUPPORT SCREW, POLYPROPYLENE, WHITE ..	4
10	P-58-0718 10	KEY, IMPELLER, 3/16" SQ. X 15/16" LONG, STAINLESS STEEL	1
11	P-58-1302 40N	VOLUTE, REAR, POLYPROPYLENE, WHITE	1
12	P-58-1246 72N	O-RING, SEGMENT, EPDM	1
13	P-.58-0683 40N	IMPELLER, POLYPROPYLENE, WHITE	1
14	P-58-0717 72N	O-RING, SCREW, EPDM	5
15	P-58-0716 10	SCREW, IMPELLER, 5/16"-24 X .75" LONG, STAINLESS STEEL	1
16	P-58-1348 10	SCREW, VOLUTE, #10 X .75", STAINLESS STEEL	7
17	P-58-1009 72N	O-RING, DRAIN PLUG, EPDM	1
18	P-58-0723 40N	PLUG, DRAIN, POLYPROPYLENE, WHITE	1
19	P-58-2012 10	BODY, FRONT, NPT, 316 STAINLESS STEEL	1
19	P-58-2013 10	BODY, FRONT, BSP, 316 STAINLESS STEEL	1
20	P-58-1280 01	ASS'Y, STAINLESS STEEL V-BAND CLAMP W/KNOB	1
21	P-58-0778 11	SHIM, IMPELLER, .006", STAINLESS STEEL	As needed
	P-58-0778 12	SHIM, IMPELLER, .015", STAINLESS STEEL	As needed
	P-58-0778 13	SHIM, IMPELLER, .030", STAINLESS STEEL	As needed
22,25,26	P-58-0714 14N	2 PIECE SHAFT SEAL ASSEMBLY AND O-RING	1
23	P-58-1312 72N	O-RING, BODY, EPDM	1
24	P-58-1282 90	KNOB, V-BAND CLAMP	1
27	P-58-1872 72N	CHECK VALVE, EPDM	1
28	P-58-1203 72N	O-RING, REAR VOLUTE, EPDM	1
29	P-58-1303 40N	VOLUTE, FRONT, FLAT, POLYPROPYLENE, WHITE	1



KITS AND ACCESSORIES

- P-58-0211N FILL & DRAIN PLUG KIT WITH O-RINGS
- P-58-0099N SEAL & ELASTOMER KIT
- CONTAINS REF. NO. 3, 5, 8, 12, 14, 17, 22, 25, 26, 23, 27, 28
- P-58-0779 90 5/8" MOTOR SPACERS, FOR GASOLINE ENGINE DRIVEN PUMPS
- P-58-0009 ROLL CAGE
- P-58-0008 WHEELED CART



P-58-0009 Roll Cage

PACER® PUMPS

41 Industrial Circle
Lancaster PA 17601-5927
www.pacerpumps.com

800-233-3861
717-925-8240
Fax: 717-925-824

Email: sales@pacerpumps.com