



DIESEL DRIVEN SELF-PRIMING CENTRIFUGAL PUMP

BULLETIN
PP-623G
MARCH 2017

SERIES 'S' AND 'T' SELF-PRIMING CENTRIFUGAL PUMPS POWERED BY HATZ DIESEL ENGINES

- Pumps are constructed of corrosion resistant, glass reinforced polyester
- BUNA elastomers are standard, EPDM and Viton® are optional on 'S' series pumps
Consult factory for elastomer choices
- 'T' Pumps fitted with BUNA elastomers only
- 316 stainless steel hardware
- Maximum flow to 380 GPM
- Maximum TDH is 87 feet
- Suction lift to 25 feet vertical
- Hatz B Series Diesel engines are exclusively produced and marketed to the specification of the strict EPA Tier IV exhaust directive
- The Hatz B-series has been honored with the EUROMOT innovation prize for optimum carburation and emission quality
- Recoil start engines feature an easy pull starter with compression release
- 1B Series engines are designed for rugged commercial duty and to excel under demanding operating conditions

'S' Series available in 2" or 3"

Use for clean liquids such as fresh water, salt water and many chemicals when fitted with correct elastomers.



'T' Series available in 2" or 3"

The **Pacer** 'T' pump is excellent for soft solids, dirty water, salt water and many other applications.

PUMP SPECIFICATIONS

MODEL	CURVE	PORT SIZE	MAX FLOW	MAX TDH	ENGINE	WEIGHT
SE2RB 1B20	R	2"	220 GPM	85 ft.	Hatz 1B20 5hp	102 lbs.
SE3SB 1B30	S	3"	300 GPM	87 ft.	Hatz 1B30 7hp	126 lbs.
TE2QBB 1B30 K	Q	2"	240 GPM	83 ft.	Hatz 1B30 7hp	133 lbs.
TE3TBB 1B40 K	T	3"	380 GPM	85 ft.	Hatz 1B40 10hp	162 lbs.

PUMPS SHIP LTL FROM LANCASTER, PA 17601

Specifications are subject to change without notice. Viton is a registered trademark of DuPont Dow Elastomers

PACER PUMPS

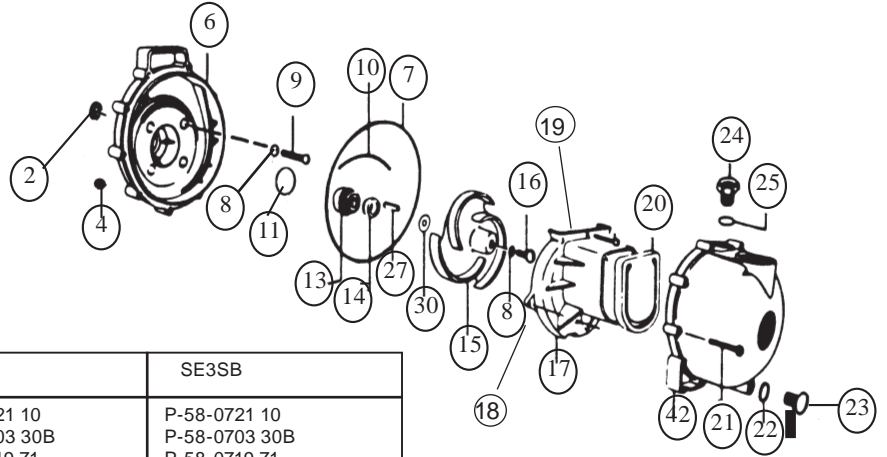
41 Industrial Circle
Lancaster PA 17601
email: sales@pacerpumps.com

717-925-8240
800-233-3861
717-656-0477 (FAX)

www.pacerpumps.com



SERIES 'S'



REF. NO.	DESCRIPTION	QTY/PUMP	SE2RB	SE3SB
4	Body nut	10	P-58-0721 10	P-58-0721 10
6	Bracket	1	P-58-0703 30B	P-58-0703 30B
7	'O'-ring, body	1	P-58-0719 71	P-58-0719 71
8	'O'-ring, screw	5	P-58-0717 71	P-58-0717 71
9	Screw, bracket	4	P-58-0715 10L	P-58-0715 10L
10	'O'-ring, segment	1	P-58-0754 71	P-58-0754 71
11, 13 & 14	Shaft seal & 'O'-ring	1	P-58-0714 11	P-58-0714 11
15	Impeller	1	P-58-0975 30	P-58-0975 30
16	Screw, impeller	1	P-58-0716 10	P-58-0716 10
17	Volute	1	P-58-0977 30	P-58-0977 30
18	Screw, side volute	2	P-58-0725 10	P-58-0725 10
19	Screw, top volute	1	P-58-0997 10	P-58-0997 10
20	Check valve	1	P-58-0705 71	P-58-0705 71
21	Screw, body	10	P-58-1206 10	P-58-1206 10
22	'O'-ring, drain plug	1	P-58-1009 71	P-58-1009 71
23	Plug, drain	1	P-58-0723 30	P-58-0723 30
24	Plug, filler	1	P-58-0722 30B	P-58-0722 30B
25	'O'-ring, filler plug	1	P-58-0765 71	P-58-0765 71
27	Key	1	P-58-0718 10	P-58-0718 10
30	Shim	As required	P-58-0778 11 (.006") P-58-0778 12 (.015") P-58-0778 13 (.030")	P-58-0778 11(.006") P-58-0778 12(.015") P-58-0778 13 (.030")
42	Body	1	P-58-1002 30B (2")	P-58-0755 30B (3")

SERIES 'T'

REF #	DESCRIPTION	QTY/PUMP	TE2QBB	TE3TBB
1	Filler plug	1	P-58-0722 30B	P-58-0722 30B
1A	Oil lube filler plug	1	P-58-0722 30B	P-58-0722 30B
2	Retainer, lube tube	1	P-58-46294 30	P-58-46294 30
3	Lubrication tube, Buna	1	P-58-46215 71	P-58-46307 71
5	O-ring, filler plug, Buna	2	P-58-0765 71	P-58-0765 71
6	Bracket (incl. 1,1A,2,3,5,6,7,8,9)	1	P-58-46218 31B	P-58-46208 31B
7	Oil lip seal	1	P-58-46314 11	P-58-46314 11
8,9,15	Shaft seal (siliconized graphite, Buna)	1	P-58-46250 11	P-58-46251 11
10	O-ring, volute	1	P-58-1203 71	P-58-46292 71
11	Volute, urethane coated, steel core	1	P-58-46224 80	P-58-46204 80
12	Volute screw, 1/4-20x1"	2	P-58-46269 10	P-58-46269 10
13	Shim, impeller .006"	as required	P-58-0778 11	P-58-0778 11
	Shim, impeller .015"	as required	P-58-0778 12	P-58-0778 12
	Shim, impeller .030"	as required	P-58-0778 13	P-58-0778 13
14	Key	1	P-58-46339	P-58-46278
16	Impeller, urethane coated, steel core	1	P-58-46229 80	P-58-46214 80
17	O-Ring, Impeller Screw, Buna 2" & 3"	1	P-58-46291 71	P-58-46290 71
18	Screw, impeller	1	P-58-0715 10	P-58-0715 10
19	O-ring, drain plug, Buna	1	P-58-1009 71	P-58-1009 71
20	Drain plug	1	P-58-0723 30	P-58-0723 30
21	Body assy. (incl. 19,20,24,25,26,27)	1	P-58-46251 31B	P-58-46207 31B
22	O-ring, body, Buna	1	P-58-46304 71	P-58-46304 71
23	Clamp, V-band	1	P-58-46305 10	P-58-46305 10
24	Check valve, Buna	1	P-58-46217 71	P-58-46217 71
25	Retainer, check valve	1	P-59-46344 30	P-58-46344 30
26	Screw, check valve retainer	2	P-58-1348 10	P-58-1348 10
27	Suction gasket, Buna	1	P-58-46206 71	P-58-46206 71
28	Wearplate, Buna coated, steel core	1	P-58-46225 91	P-58-46205 91
34	O-ring, bracket/impeller screw, Buna	5	P-58-0717 71	P-58-0717 71
35	Bracket screw	4	P-58-0715 10L	P-58-46308 10
42	Slinger	1	P-58-0884 71	P-58-46266 71
54	Washer, aluminum/rubber	1	P-58-46341	N/A

