

VCC-20 Series



Applications

- Designed for automatic collection and removal of condensate from air conditioning, refrigeration and dehumidification equipment when gravity drainage is not possible or practical. Also suitable for high efficiency oil- and gas-fired condensing furnace equipment

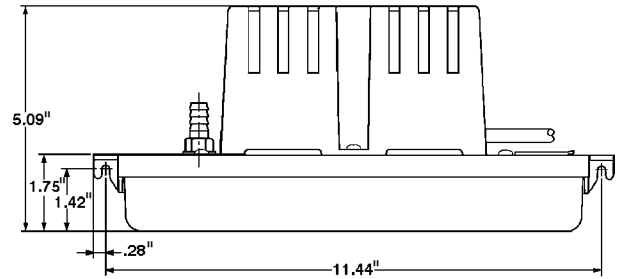
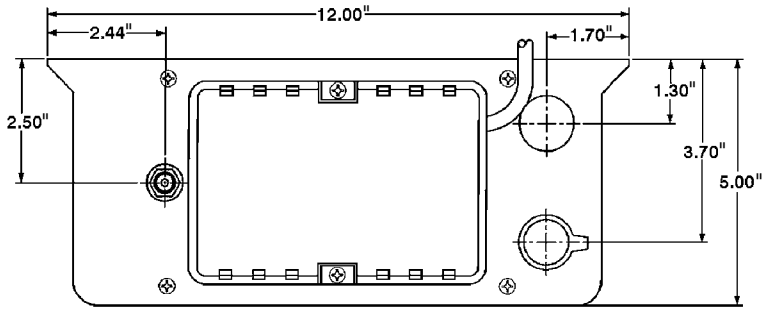
Features

- Low profile for limited spaces
- Vertical centrifugal pump design
- Automatic start, stop and high level water detection (safety overflow switch)
- 3/8" O.D. barbed discharge adapter with built-in check valve (installed on the pump)
- 1/4" O.D. barbed discharge adapter (included in the box)
- Two inlet openings (one 1.0" and one 1-1/8" diameter)
- Safety overflow float activated switch
- Two 5" safety overflow switch lead wires
- Thermally protected, fan cooled motor
- Built-in wall mount tabs
- Intermittent liquid temperature up to 120 °F
- 20' shut-off head
- 6 ft, 3-conductor cable with grounded 3-prong plug (115 V and 230 V models)

Construction

- Motor — 1/30 hp
- Discharge — 3/8" O.D. barbed
- Housing/tank cover — ABS
- Motor Cover — ABS
- Volute — ABS
- Tank — ABS
- Impeller — Glass filled polypropylene
- Check valve — Acetal

Engineering Data



Specifications

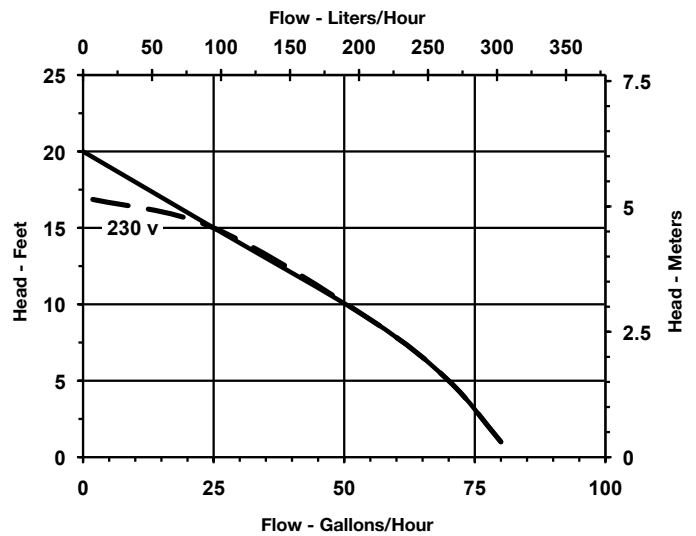
Item No.	Model No.	Discharge Size	HP	Volts	Hertz	Amps	Watts	Performance (GPH@Head)				Shutoff		Cord Length (ft)	Weight (lbs)
								1'	5'	10'	20'	Ft	PSI		
554200	VCC-20ULS	3/8" OD Barbed	1/30	115	60	1.5	93	80	70	45	0	20	8.6	6	5.40
554210		3/8" OD Barbed	1/30	230	50/60	0.6	75	80	70	45	0	17	7.4	6	5.40

NOTE: GPH is through check valve.

Replacement Parts

Item	Part Number
Tank	154004
Impeller	154009
Volute	154015
Cover, motor	154006
Check valve	154715
Switch pump	950337
Seal ring	928006
Safety switch	154714
Float/stem	154017
Adapter, 1/4"	154037

Performance Data



P.O. Box 12010
 Oklahoma City, OK 73157-2010
 Phone: 1.800.701.7894
 Fax: 1.800.678.7867
 www.LittleGiantPump.com