

3-ABS SERIES

APPLICATIONS

- Utilizing a sealed, submersible pump with collection tank, the 3-ABS is an ideal choice for a self-contained, high volume, high head condensate removal pump. An integrated, unique float switch design assures reliability and security while providing easy access to the float for servicing.

FEATURES

- Includes 1 gallon ABS tank
- Permanently lubricated motor bearings require no maintenance during life of pump
- Oil-filled to maximize heat dissipation
- Epoxy-coated cast aluminum pump housing
- Galvanized steel tank cover has 1-1/8" inlet opening
- Automatic operation:
On level – 4.5" Off Level – 3.5"
- Easy to remove float housing for servicing
- Includes removable inlet filter screen
- 1/2" MNPT pump discharge with brass check valve and compression fitting for 1/2" OD copper or rigid plastic tubing
- Powerful 1/12 hp pump motor
- Suitable for intermittent water temperature up to 120 °F
- Includes 9 ft power cord with molded plug (115 V version)



SERIES SPECIFICATIONS

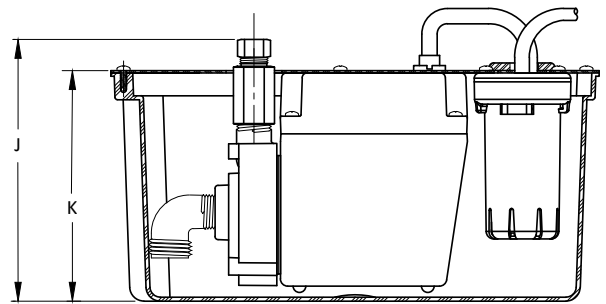
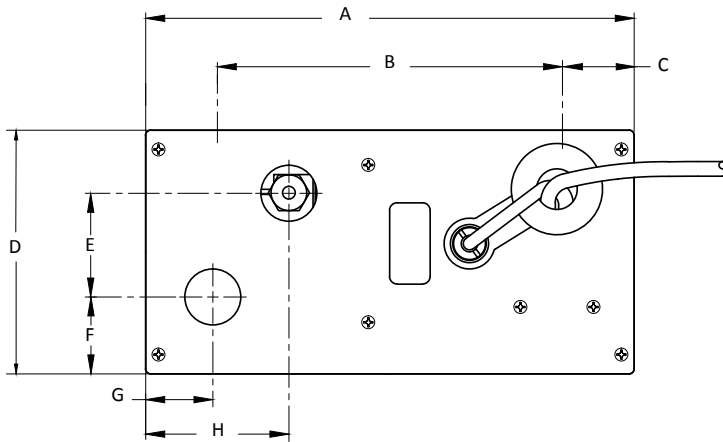
Item No.	Model	HP	Input Voltage	Hz	Amps (FLA)	Watts (kW)	Discharge Size	Performance GPH (LPH) @ Head					Shut-Off Ft.	PSI	Cord	Weight (lbs)
								1'	3'	5'	10'	20'				
551320	3-ABS	1/12	115	60	3.5	210	1/2" MNPT	310 (1175)	290 (1099.1)	280 (1061.2)	250 (947.5)	110 (417)	26' (7.9 m)	11.2	9' (2.7 m)	12 (5.44 Kg)
551330	3-ABS	1/12	230	50/60	1.8/1.6	210	1/2" MNPT	310 (1175)	290 (1099.1)	280 (1061.2)	250 (947.5)	110 (417)	26' (7.9 m)	11.2	9' (2.7 m)	12 (5.44 Kg)

3-ABS SERIES

REPLACEMENT PARTS & KITS

Item	Part Number
Tank	153502
Cover	151410
Check Valve	940003
Volute	103376
Impeller	104435
Gasket	103601
Float Replacement	950061
Float Screen	950284
Elbow, Inlet	119007

ENGINEERING DATA

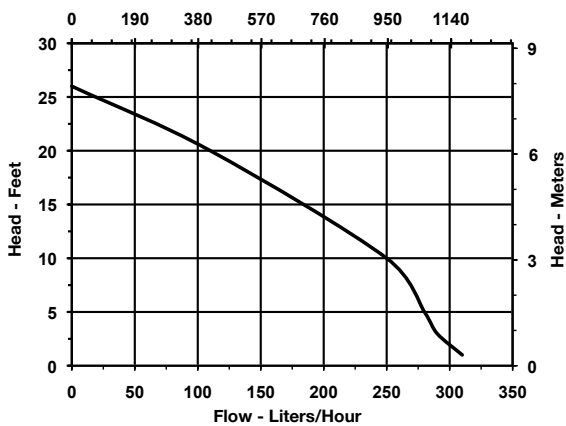


A	B	C	D	E	F	G	H	J	K
12.03 (305.56)	8.5 (215.9)	1.77 (44.96)	6 (152.4)	2.55 (64.77)	1.89 (48.01)	1.66 (42.16)	3.53 (89.66)	6.5 (165.1)	5.68 (144.27)

PERFORMANCE DATA

115 V, 60 HZ

Flow - Liters/Hour



CONSTRUCTION

Motor	1/12 hp
Intake	1-1/4" diameter
Discharge	1/2" MNPT
Pump Housing/Cover	Epoxy-coated cast aluminum
Tank Cover	Galvanized steel
Volute	Nylon
Impeller	Nylon
Shaft Seal	Nitrile
Screen	Polyethylene