

VCMA-15 SERIES

APPLICATIONS

- Designed for automatic collection and removal of condensate from air conditioning, refrigeration and dehumidification equipment when gravity drainage is not possible or practical. Also, suitable for high efficiency oil and gas-fired condensing furnace and condensing boiler equipment.

FEATURES

- 1/2-gallon collection tank
- Vertical centrifugal pump design
- Stainless steel motor shaft
- Automatic start and stop operation
- Some models equipped with float (solid polymer) activated switch for automatic high-level water detection (overflow detection switch)
- For models with overflow detection switch: dual function NO and NC operation (set to NO from factory for equipment shut down connection)
- Models equipped with overflow detection switch include two 5" switch lead wires
- 3/8" O.D. barbed discharge adapter with built-in check valve
- Three 1-1/8" diameter inlet openings (two fitted with removable cap plug)
- Thermally protected, fan cooled motor
- Built-in wall mount tabs on tank
- Removable pump float locking tab for safety during transportation (remove at time of installation)
- Maximum water temperature: 140 °F
- 6 ft, 3-conductor cable with grounded 3-prong plug
- Some models include 20' x 3/8" I.D. vinyl discharge tubing



SERIES SPECIFICATIONS

| Item No. | Model | HP | Input Voltage | Hz | Amps | Watts | Discharge Size | Performance GPH (LPH) @ Head | | | | Shut-Off Ft. | PSI | Cord | Weight (lbs) |
|----------|-------------|------|---------------|----|------|-------|-------------------------|------------------------------|------------|-----------|-------|--------------|-----|-----------|--------------|
| | | | | | | | | 1' | 5' | 10' | 20' | | | | |
| 554401 | VCMA-15UL | 1/50 | 115 | 60 | 1 | 60 | 3/8" (9.5 mm) OD Barbed | 65 (246.4) | 50 (189.5) | 25 (94.8) | 0 (0) | 15 (4.6 m) | 6.5 | 6 (1.8 m) | 4.4 (2 kg) |
| 554411 | VCMA-15ULT | 1/50 | 115 | 60 | 1 | 60 | 3/8" (9.5 mm) OD Barbed | 65 (246.4) | 50 (189.5) | 25 (94.8) | 0 (0) | 15 (4.6 m) | 6.5 | 6 (1.8 m) | 5.8 (2.6 Kg) |
| 554405 | VCMA-15ULS | 1/50 | 115 | 60 | 1 | 60 | 3/8" (9.5 mm) OD Barbed | 65 (246.4) | 50 (189.5) | 25 (94.8) | 0 (0) | 15 (4.6 m) | 6.5 | 6 (1.8 m) | 4.4 (2 kg) |
| 554415 | VCMA-15ULST | 1/50 | 115 | 60 | 1 | 60 | 3/8" (9.5 mm) OD Barbed | 65 (246.4) | 50 (189.5) | 25 (94.8) | 0 (0) | 15 (4.6 m) | 6.5 | 6 (1.8 m) | 5.8 (2.6 Kg) |

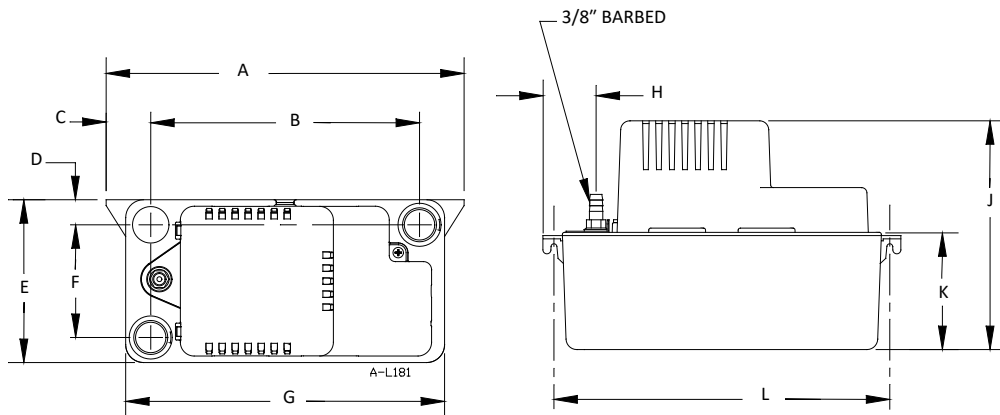
Note: GPH is through check valve.

VCMA-15 SERIES

REPLACEMENT PARTS & KITS

| Item | Part Number |
|---------------|-------------|
| Tank | 154401 |
| Cover, Motor | 154421 |
| Float Arm | 154452 |
| Switch Holder | 154471 |
| Switch | 950337 |
| Check Valve | 154715 |

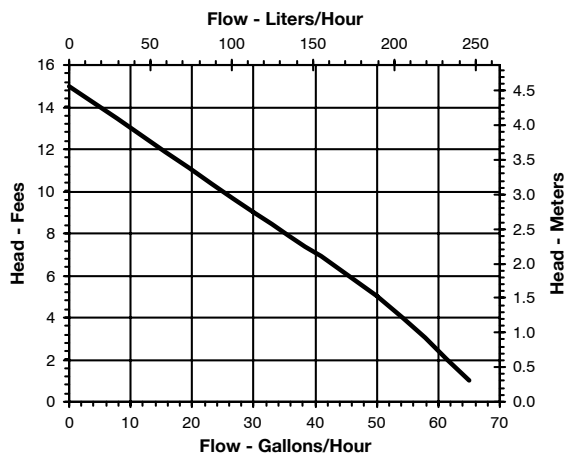
ENGINEERING DATA



| A | B | C | D | E | F | G | H | J | K | L |
|------------|--------------|-------------|-------------|---------|------------|--------------|--------------|-----------|------------|--------------|
| 11 (279.4) | 8.3 (210.82) | 1.4 (35.56) | 0.8 (20.32) | 5 (127) | 3.5 (88.9) | 9.8 (248.92) | 1.6 (400.64) | 7 (177.8) | 3.6 (91.4) | 10.3 (261.6) |

PERFORMANCE DATA

115 V, 60 HZ



CONSTRUCTION

| | |
|--------------------|----------------------------|
| Motor | 1/50 hp |
| Discharge | 3/8" OD barbed |
| Housing/Tank Cover | ABS |
| Motor Cover | ABS |
| Volute | ABS |
| Tank | ABS |
| Impeller | Glass filled polypropylene |
| Check Valve | Acetal |