

# HT40-SERIES

High Temperature Submersible Pump

# Liberty Pumps®

A Family and Employee Owned Company

**4/10 hp**

**1-1/2" Discharge**

**3/4" Solids Handling**

For hot water applications  
up to 200°F

- Boiler Blowdown Pits
- Hot Water Transfer
- Condensate Pits

## Features

- Vortex impeller, made of high temperature engineered thermoplastic, permits passage of solids without clogging
- Cast iron construction with all stainless and brass fasteners
- 416 Stainless-steel rotor shaft
- Oil-filled, thermally protected motor
- Permanently lubricated bearings
- Unitized shaft seal
- 10' UL approved power cord with Quick-connect design (25' optional)
- 1-1/2" FNPT discharge



## Models

HT41M	115V, 12A, Manual, 10' Cord
HT41M-2	115V, 12A, Manual, 25' Cord
HT41A	115V, 12A, Automatic, 10' Cord
HT41A-2	115V, 12A, Automatic, 25' Cord



innovate. evolve.

# HT40-Series

## Impeller

Vortex style impeller made of high temperature engineered thermoplastic

## Motor

Submersible type, oil-filled, hermetically sealed and thermally protected

## Motor Housing

Class 25 cast iron

## Shaft

416 Stainless steel

## Bearings

Upper and lower ball bearings

## Maximum Fluid Temperature

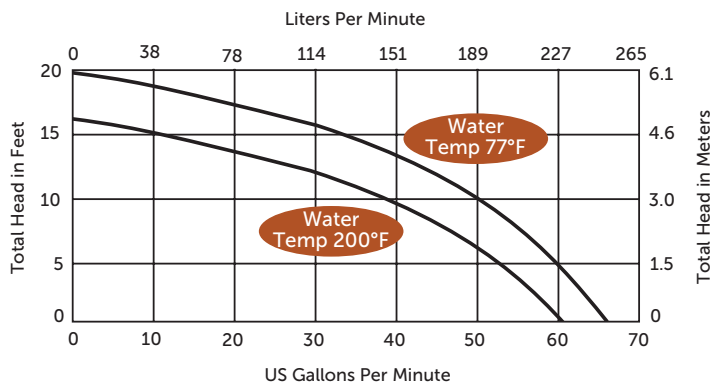
200°F

## Seal

Carbon/ceramic unitized design, high temperature elastomers and stainless housings

## Performance Curve

60 Hz, 1550 RPM



## Models

MODELS	HP	VOLTS	PHASE	AMPS	DISCHARGE SIZE	AUTOMATIC	IMPELLER
HT41M	4/10	115	1	12	1-1/2" FNPT	No	Vortex
HT41A	4/10	115	1	12	1-1/2" FNPT	Yes	Vortex

Standard 10' cord on above models. For 25' cord options, add a "-2" suffix to model number. Example: HT41A-2.

## Level Control

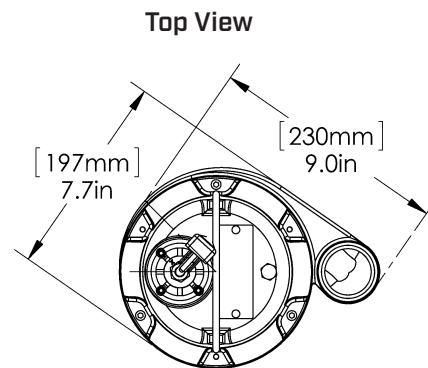
Controlled by an adjustable mercury-free float switch

## Dimensional Data

**Weight:** HT41M: 36 lbs

**Height:** 9.6"

**Major Width:** 9.8" (manual models)



## Side View

CORD - 115V

