

# ED750D

745cm<sup>3</sup>, 20.1kW (27.0Hp) / 3600rpm

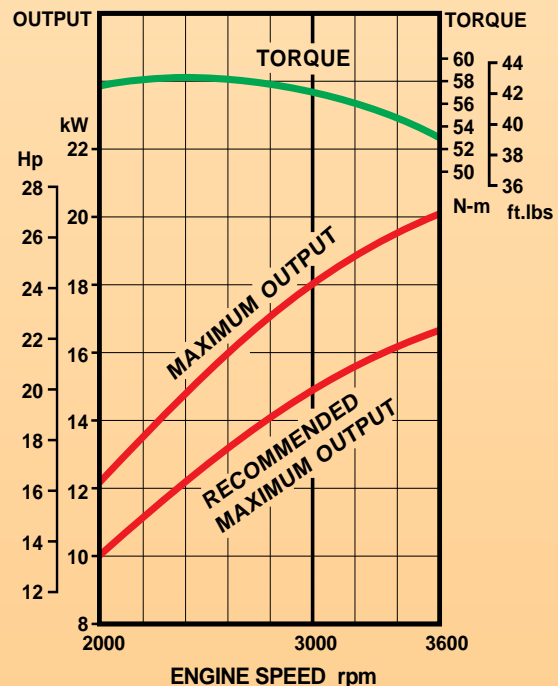
PRESSURIZED LUBRICATION SYSTEM  
FULL TRANSISTOR IGNITION  
EJECTOR AIR CLEANER  
FULL WARNING SYSTEM

## GENERAL SPECIFICATIONS

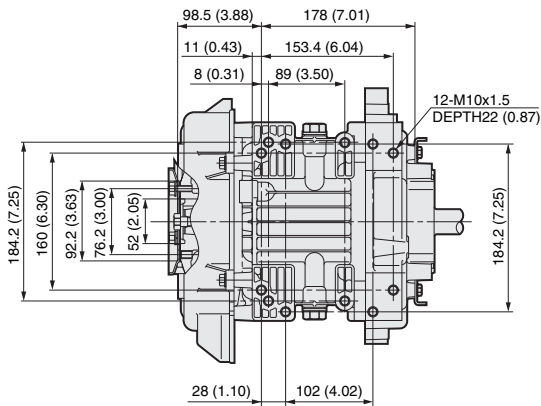
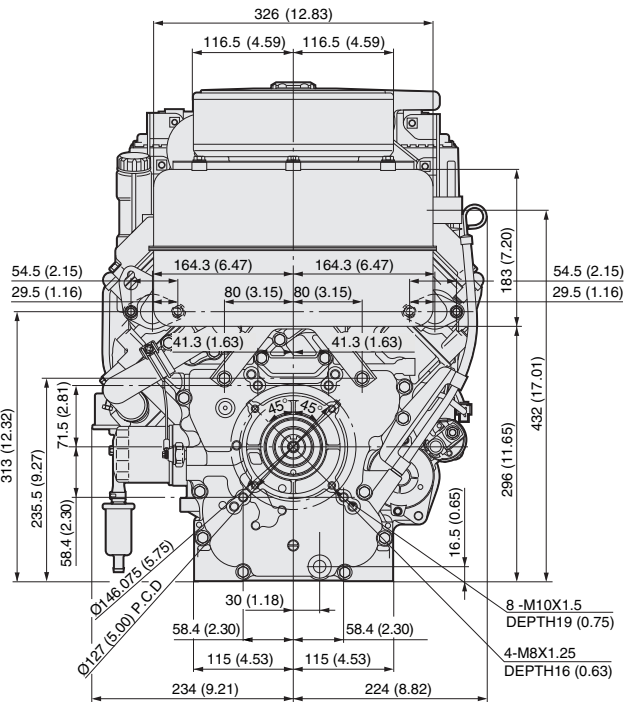
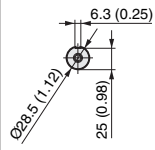
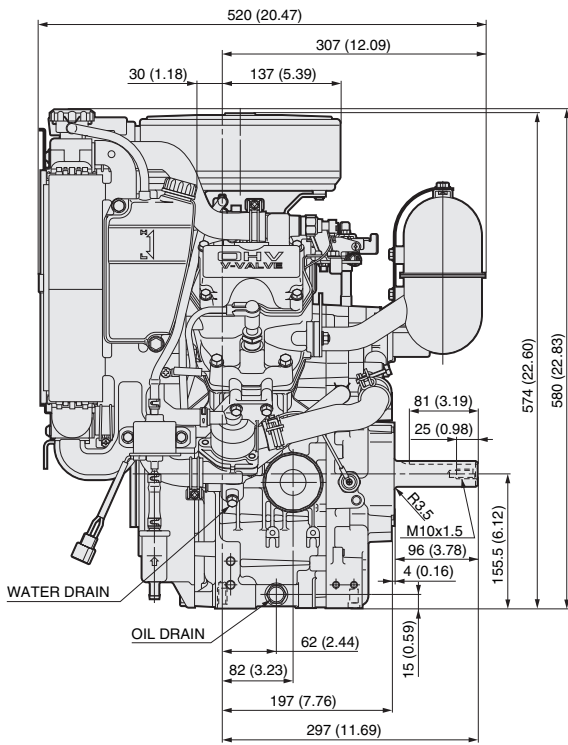
|                                     |   |
|-------------------------------------|---|
| Engine Type                         | Liquid cooled 4-stroke, horizontal shaft, OHV gasoline engine |
| Cylinder Layout                     | 90°V-Twin   |
| Bore x Stroke                       | 78 x 78mm ( 3.07 x 3.07in. )                                  |
| Piston Displacement                 | 745cm <sup>3</sup> (45.5cu.in. )                              |
| Compression Ratio                   | 8.5 : 1   |
| Max.Horse Power                     | 20.1kW ( 27.0Hp ) / 3600rpm                                   |
| Max.Torque                          | 58.3N-m ( 43.0ft.lbs ) / 2400rpm                              |
| Direction of Rotation               | Counter-clockwise facing the PTO shaft                        |
| Fast Idle Speed                     | 3600rpm   |
| Slow Idle Speed                     | 1550rpm   |
| Min.Specific Fuel Consumption Ratio | 308gr / kW-hr ( 230gr / Hp-hr )                               |
| Carburetor                          | Float type with fixed main jet                                |
| Fuel Pump                           | Transistorized  |
| Oil Capacity                        | 2.0litre ( 2.1US.qt. ) with Filter                            |
| Ignition                            | Flywheel magneto transistor type                              |
| Plug                                | NGK BPR2ES  |
| RFI                                 | Per Canada and U.S.A. requirements                            |
| Starter                             | Solenoid shift type electric starter                          |
| Governor                            | Mechanical governor   |
| Lubrication                         | Full pressure lubrication with spin-on oil filter             |
| Air Cleaner                         | Dual element  |
| Muffler                             | Low tone type   |
| Charging Coil                       | 12V-20A or 30A with Regulator                                 |
| Net Weight                          | 57.0kg ( 125.7lbs ) with Muffler                              |
| Dimension ( L x W x H )             | 520 x 458 x 580mm with Muffler ( 20.47 x 18.03 x 22.83in. )   |

Specifications subject to change without notice.

## PERFORMANCE CURVES



**Kawasaki**  
Let the good times roll.



PTO SHAFT DIMENSIONS (TAPER TYPE)

