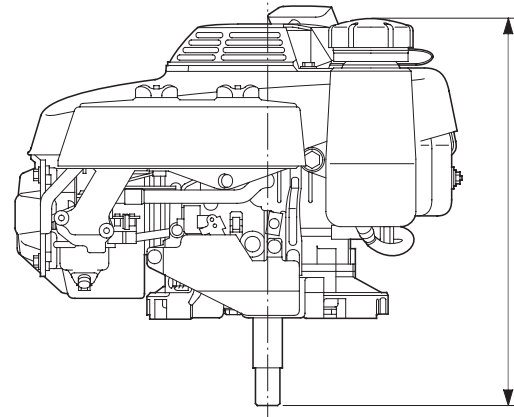
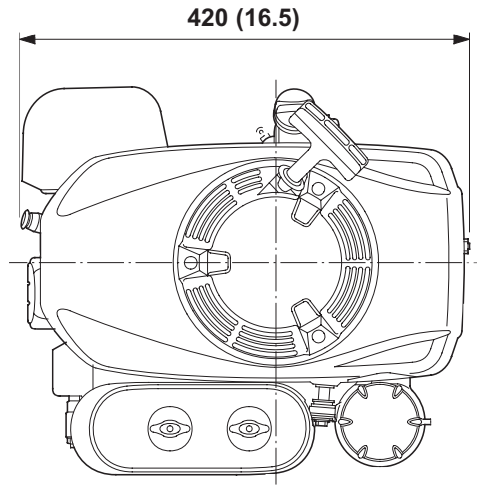
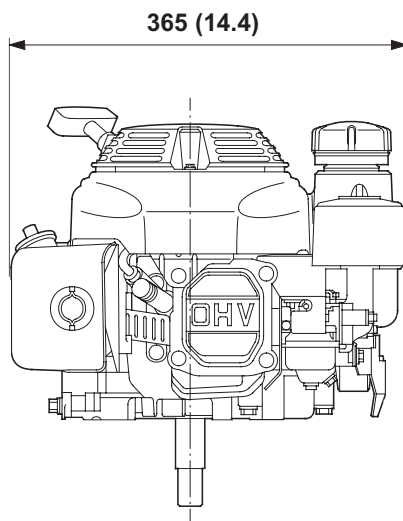


Unit: mm (in)

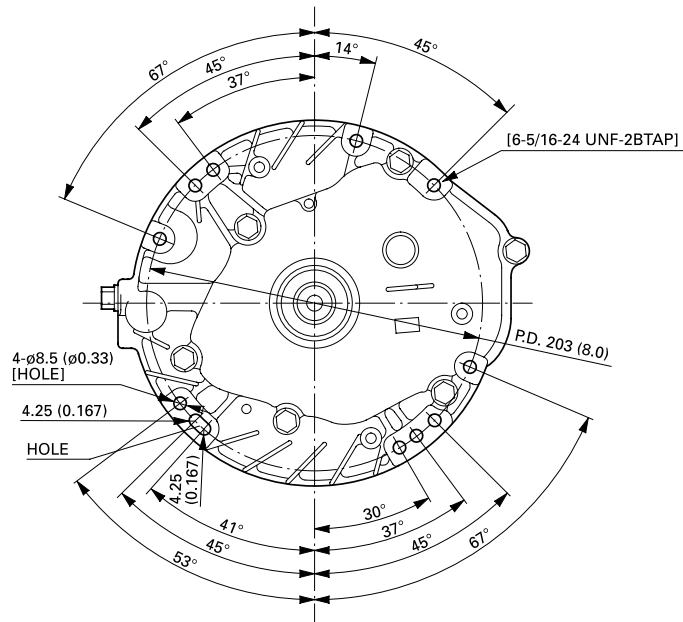
GXV160UH2 model

- *1: L/M type only
- *2: N1, N4 and HR215 types only
- *3: N5 type only

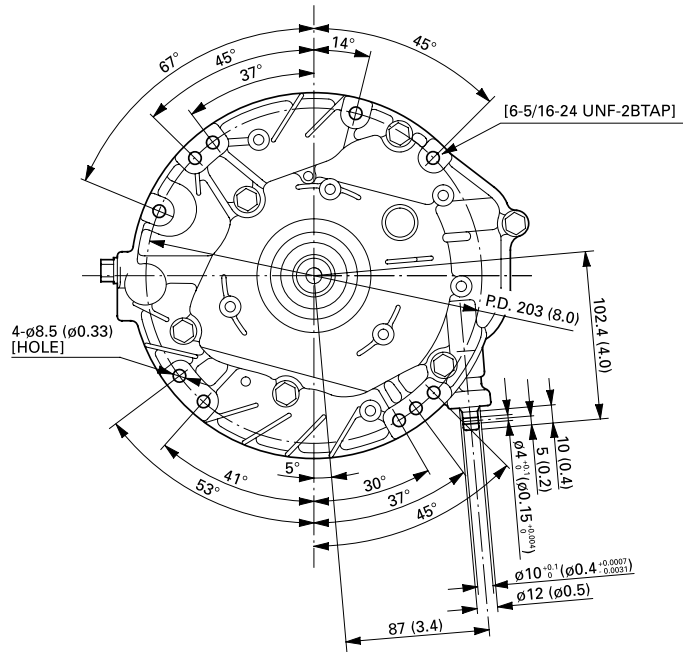


MOUNTING

Unit: mm (in)



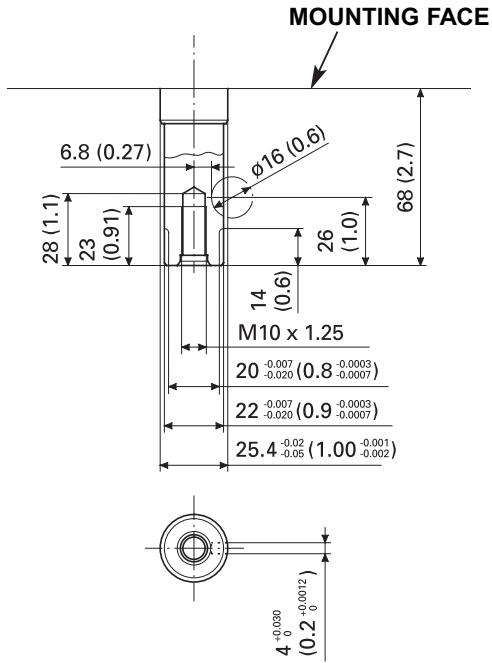
DRIVE SHAFT TYPE



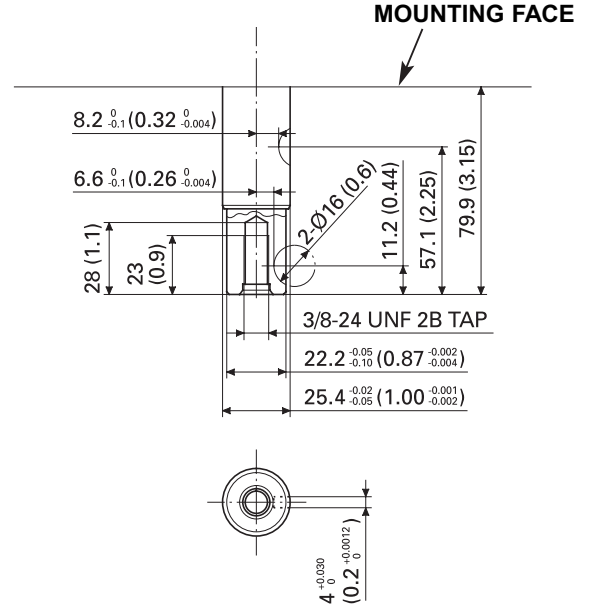
PTO SHAFT DIMENSIONAL DRAWINGS

Unit: mm (in)

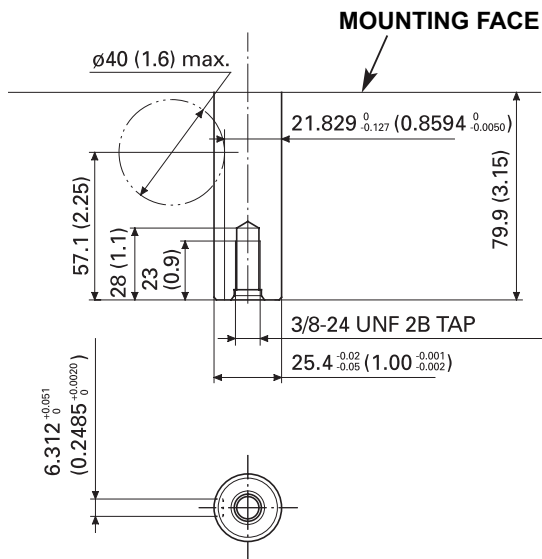
LM



N1



N4



N5

