

## Product description



TM085889

Grundfos SCALA2 is a fully integrated, high-efficiency, self-priming pressure booster.

SCALA2 incorporates integrated speed control, enabling constant water pressure at the taps. The electronically controlled inverter limits the starting and operating currents, providing soft starts and high energy savings.

The water-cooled motor and pump design offer a very low noise level down to 44 dB(A) in typical usage.

## Applications

SCALA2 is designed for pressure boosting in one- and two-family homes, apartment buildings and light commercial buildings. We recommend using SCALA2 for the following applications:

- pressure boosting of city mains water
- pressure boosting of water from roof tank, break tank or ground tank
- water supply from shallow wells (<8 m).

## Pumped liquids

The pump is designed for pumping clean, thin, fresh water with a pH value between 4 and 9, a maximum chloride content of 300 ppm and free chlorine content below 1 ppm, for example:

- drinking or tap water
- rainwater
- groundwater
- river and lake water
- softened water.

Sand and other impurities in the water can cause wear to the pump and pump blockage. Therefore, we recommend that you install a filter on the inlet side or apply a floating strainer to protect the pump.

## Features and benefits

### Perfect water pressure

SCALA2 has an integrated pressure sensor that monitors the pump outlet pressure and continuously adjusts the pump speed to maintain a constant water pressure at all taps.

### Low noise

SCALA2 stands out as one of the quietest boosters in its size category in the market. The motor is water cooled and equipped with sealed, greased-for-life ball bearings, ensuring silent operation (44 dB(A) in typical usage).

### High energy efficiency

SCALA2 is equipped with variable-speed drive which increases the entire pump system efficiency by eliminating wasted head and flow, and allows the pump to operate closer to its best efficiency point (BEP).

### Compact and easy to install

SCALA2 is an all-in-one fully integrated plug-and-pump solution, eliminating any uncertainties found in traditional installations. SCALA pumps can be installed in four easy steps:

1. Connect the pipes. The inlet and outlet connections are adjustable by up to 5°, making the installation even easier.
2. Prime the pump.
3. Plug the pump into a power outlet, and start the pump. The default pressure setting is 3 bar (43 psi).
4. Adjust the tank precharge pressure according to the setpoint

### Robust design

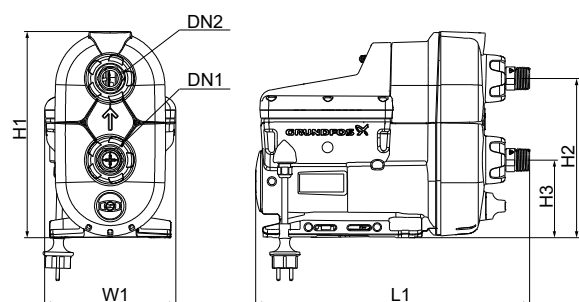
The pump is designed for long and trouble-free operation. The aluminium pump and stator housing combined with excellent corrosion-resistant internal components ensure high robustness in operation.

### Protective features and benefits

SCALA2 is equipped with the following advanced protective features:

- dry-running protection
- thermal protection
- micro-leakage detection.

## Dimensions and weights



TM086088

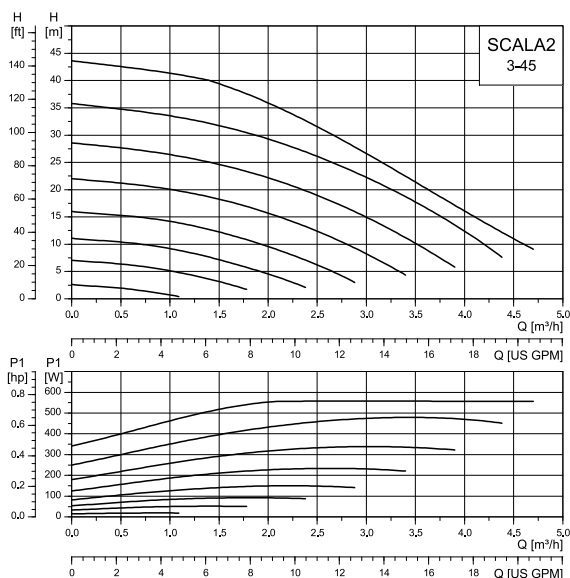
Dimensions of SCALA2

	H1	H2	H3	L1	W1	DN1	DN2	Weight
	[mm]	[mm]	[mm]	[mm]	[mm]			[kg]
	[inch]	[inch]	[inch]	[inch]	[inch]			[lb]
SCALA2	302	234	114	403	193	R 1	R 1	10
	11.9	9.2	4.5	15.9	7.6	NPT 1"	NPT 1"	22

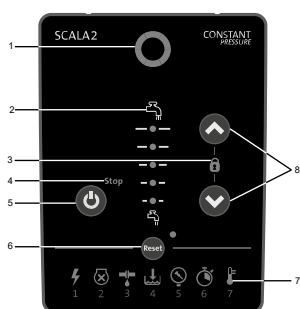
## Performance curves

SCALA2 is designed for single-pump households with up to 3 floors and 6-10 tapping points. Accurate sizing of the pump can be based on the pump curve below and local norms and standards.

The performance curves comply with ISO 9906 grade 2B.



## Operating panel



Pos.	Description
1	Grundfos Eye
2	Pressure indicator
3	Lock button
4	Stop button
5	On/off button
6	Reset button
7	Fault indicator
8	Up and Down buttons to set the pressure

## Operating conditions

Temperature	[°C (°F)]
Max. ambient temperature	
1 × 208-230 V, 60 Hz:	45 (113)
1 × 115 V, 60 Hz:	45 (113)
1 × 200-240 V, 50/60 Hz:	55 (131)
Max. liquid temperature	45 (113)

Pressure	[bar (psi)]	[MPa]
Max. system pressure	10 (145)	1
Max. inlet pressure	6 (87)	0.6

Other operating data	
Max. head	45 m (147 ft)
IP rating	X4D (outdoor installation)
Pumped liquid	Clean water
Noise level	< 44 dB(A) <sup>1)</sup>

<sup>1)</sup> 44 dB(A) is measured in a typical application at duty point Q = 1 m<sup>3</sup>/h and H = 19 m in accordance with ISO 3745.

## Approvals and markings

### Safety approvals



### Drinking water approvals



Furthermore, the product has been approved in accordance with UBA and AWQC standards.

98880509 12.2023

ECM: 1382217

GRUNDFOS Holding A/S  
Poul Due Jensens Vej 7  
DK-8850 Bjerringbro  
Tel: +45 87 50 14 00  
www.grundfos.com

GRUNDFOS