

## Centrifugal Pumps With Integral Trap

---

NOTICE D'UTILISATION

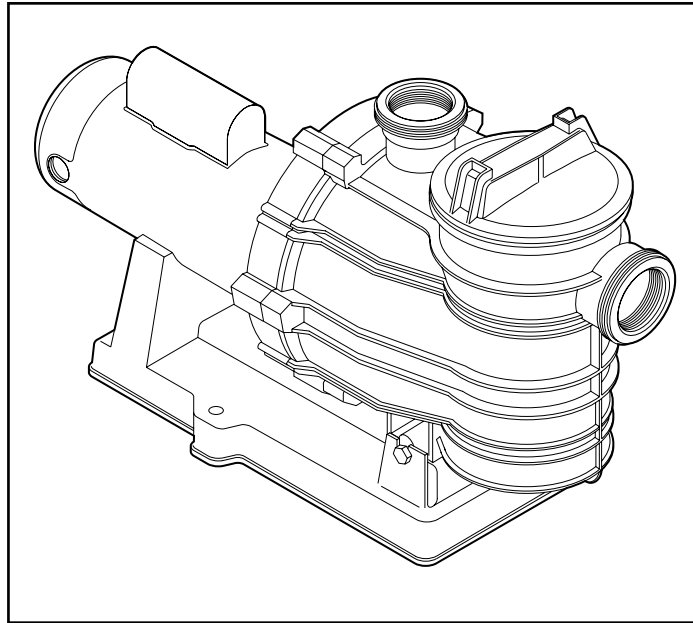
## Pompes centrifuges à filtre collecteur intégré

---

MANUAL DEL USUARIO

## Bombas centrífugas con colector integral

---



**FPT20510**

**FPT20515**

**Installation/Operation/Parts**

*For further operating, installation,  
or maintenance assistance:*

**Call 1-800-365-6832**

**English. . . . . Pages 2-13**

**Installation/Fonctionnement/Pièces**

*Pour plus de renseignements  
concernant l'utilisation, l'installation  
ou l'entretien,*

**Composer le 1 (800) 365-6832**

**Français . . . . . Pages 14-26**

**Instalación/Operación/Piezas**

*Para mayor información sobre el  
funcionamiento, instalación o  
mantenimiento de la bomba:*

**Llame al 1-800-365-6832**

**Español . . . . . Páginas 27-39**

### Important Safety Instructions

SAVE THESE INSTRUCTIONS - This manual contains important instructions that should be followed during installation, operation, and maintenance of the product.

**⚠** This is the safety alert symbol. When you see this symbol on your pump or in this manual, look for one of the following signal words and be alert to the potential for personal injury!

**⚠ DANGER** indicates a hazard which, if not avoided, will result in death or serious injury.

**⚠ WARNING** indicates a hazard which, if not avoided, could result in death or serious injury.

**⚠ CAUTION** indicates a hazard which, if not avoided, could result in minor or moderate injury.

**NOTICE** addresses practices not related to personal injury.

**Carefully read and follow all safety instructions in this manual and on pump.**

Keep safety labels in good condition. Replace missing or damaged safety labels.

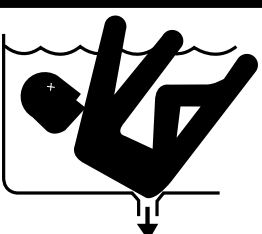
#### California Proposition 65 Warning

**⚠ WARNING** This product and related accessories contain chemicals known to the State of California to cause cancer, birth defects or other reproductive harm.

**⚠ DANGER Failure to follow all instructions and warnings can result in serious bodily injury or death.**

This pump should be installed and serviced only by a qualified pool service professional. Installers, pool operators and owners must read these warnings and all instructions in the owner's manual before using this pump. These warnings and the owner's manual must be left with the pool owner.

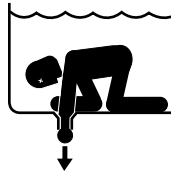
For information about the Virginia Graeme Baker Pool and Spa Safety Act, contact the Consumer Product Safety Commission at (301) 504-7908 or visit [www.cpsc.gov](http://www.cpsc.gov).

	<p><b>⚠ DANGER</b></p> <p><b>Hazardous Suction. Can trap hair or body, causing severe injury or death.</b></p> <ul style="list-style-type: none"> <li>• Do not block suction.</li> <li>• Keep small children under close adult supervision at all times.</li> </ul>
---	---

**⚠ DANGER Risk of suction entrapment.** Always turn off all power to the pool pump before installing the cover or working on any suction outlet.

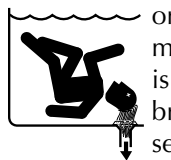
- This pump produces high levels of suction and creates a strong vacuum at the main drain at the bottom of your pool or spa. This suction is so strong that it can trap adults or children under water if they come in close proximity to a pool or spa drain or a loose or broken drain cover or grate.
- Stay off the main drain and away from all suction outlets!

**⚠ DANGER Risk of suction entrapment. The use of unapproved covers or allowing use of the pool or spa when covers are missing, cracked or broken can result in body or limb entrapment, hair entanglement, body entrapment, evisceration and/or death.**



The suction at a pool or spa drain or outlet can cause:

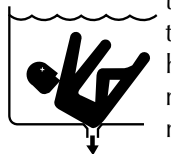
**Limb Entrapment:** When a limb is sucked or inserted into an opening resulting in a mechanical bind or swelling. This hazard is present when a drain cover is missing, broken, loose, cracked or not properly secured.



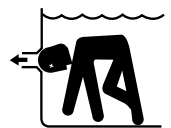
**Hair Entanglement:** When the hair tangles or knots in the drain cover, trapping the swimmer underwater. This hazard is present when the flow rating of the cover is too small for the pump or pumps.



**Body Entrapment:** When a portion of the body is held against the drain cover trapping the swimmer underwater. This hazard is present when the drain cover is missing, broken or the cover flow rating is not high enough for the pump or pumps.



**Evisceration/Disembowelment:** When a person sits on an open pool (particularly a child wading pool) or spa outlet and suction is applied directly to the intestines, causing severe intestinal damage.



This hazard is present when the drain cover is missing, loose, cracked, or not properly secured.

**Mechanical Entrapment:** When jewelry, swimsuit, hair decorations, finger, toe or knuckle is caught in an opening of an outlet or drain cover. This hazard is present when the drain cover is missing, broken, loose, cracked, or not properly secured.

**NOTICE** all suction plumbing must be installed in accordance with the latest national and local codes for swimming pools, spas and hot tubs, including NSPI standards and CPSC guidelines.

**⚠ WARNING** To minimize the risk of injury due to suction entrapment hazard:

- Pools and spas should utilize a minimum of two drains per pump.
- A properly installed and secured ANSI/ASME A112.19.8 approved anti-entrapment suction cover must be used for each drain.
- Each suction cover must be installed at least three (3') feet apart, as measured from the nearest point to nearest point.
- Regularly inspect all covers for cracks, damage and advanced weathering.
- If a cover becomes loose, cracked, damaged, broken or is missing, close the pool or spa immediately, shut off the pump, post a notice and keep the pool or spa closed until an appropriate certified cover is properly installed.
- Replace drain covers as necessary. Drain covers deteriorate over time due to exposure to sunlight, pool chemicals and weather.
- Avoid getting hair, limbs or body in close proximity to any suction cover, pool drain or outlet.
- Disable suction outlets or re-configure into return inlets.

**⚠ WARNING** **Risk of harm.** A clearly labeled emergency shut-off switch for the pool pump and spa jet pump must be in an easily accessible, obvious place near the pool or spa. Make sure bathers know where it is and how to use it in case of emergency.

**⚠ WARNING** **Risk of harm.** To reduce the risk of injury, do not permit children to use this product unless they are closely supervised at all times.

**⚠ WARNING** **Risk of electric shock.** Can shock, burn or kill. Connect only to a branch circuit protected by a ground-fault circuit-interrupter (GFCI). Contact a qualified electrician if you cannot verify that the circuit is protected by a GFCI. This unit must be connected only to a supply circuit that is protected by a ground-fault circuit-interrupter (GFCI). Such a GFCI should be provided by the installer and should be tested on a routine basis. To test the GFCI, push the test button. The GFCI should interrupt power. Push the reset button. Power should be restored. If the GFCI fails to operate in this manner, the GFCI is defective. If the GFCI interrupts power to the pump without the test button being pushed, a ground current is flowing, indicating the possibility of an electric shock. Do not use this pump. Disconnect the pump and have the problem corrected by a qualified service representative before using.

**⚠ CAUTION** This pump is for use with permanently installed pools and may also be used with hot tubs and spas if so marked. Do not use with storable pools. A permanently installed pool is constructed in or on the ground or in a building such that it cannot be readily disassembled for storage. A storable pool is constructed so that it may be readily disassembled for storage and reassembled to its original integrity.

**⚠ WARNING** **Risk of hazardous pressure.** Pool and spa circulation systems operate under high pressure. Incorrectly installed or tested equipment may fail, causing severe injury or property damage. Read and follow instructions in owner's manual when installing and operating equipment. Have a trained pool professional perform all pressure tests.

1. Do not connect system to a high pressure or city water system.
2. Use equipment only in a pool or spa installation.
3. Trapped air in system can cause explosion. BE SURE all air is out of system before operating or testing equipment. See hazardous pressure warning below. Do not use compressed air to clean, test, or purge equipment for winter.

**Before pressure testing, make the following safety checks:**

- Check all clamps, bolts, lids, and system accessories before testing.
- Release all air in system before testing.
- Tighten pump trap lids to 30 ft. lbs. (4.1 kg-m) torque for testing.
- Water pressure for test must be less than 25 PSI (7.5 kg/cm<sup>2</sup>).
- Water temperature for test must be less than 100° F (38° C).
- Limit test to 24 hours. After test, visually check system to be sure it is ready for operation. Remove trap lid and retighten hand tight only.

**NOTICE** These testing parameters apply only to the models described herein. For other equipment, consult the manufacturer.

**⚠ WARNING** **Risk of hazardous pressure.** Stand clear of pump and filter during start-up. Pool and spa circulation systems operate under high pressure. When any part of the circulating system (i.e. locking ring, pump, filter, valves, etc.) is serviced, air can enter the system and become pressurized.



- Pressurized air can cause the pump housing cover filter lid and valves to violently separate which can result in severe personal injury or death.

- Filter tank lid and strainer cover must be properly secured to prevent violent separation.
- Stand clear of all circulation system equipment when turning on or starting up pump.
- Before servicing pool and spa equipment, make note of the filter pressure. Be sure that all controls are set to ensure the system cannot inadvertently start during service. Turn off all power to the pump.
- Place filter manual air relief valve in the open position and wait for all pressure in the system to be relieved.
- Before starting the system, fully open the manual air relief valve and place all system valves in the “open” position to allow water to flow freely from the pool and spa back to the pool or spa. Stand clear of all pool and spa equipment and start the pump.
- Do not close filter manual air relief valve until all pressure has been discharged from the valve and a steady stream of water appears. Observe filter pressure gauge and be sure it is not higher than the pre-service condition.

Warnings and safety instructions for these pumps are available at: <http://www.pentairpool.com/pool-owner/safety-warnings/> or call (800) 831-7133 for additional free copies of these instructions.

## General Warnings

- All work must be performed by a qualified pool professional, and must conform to all national, state, and local codes.
- Install to provide drainage of compartment for electrical components.
- These instructions contain information for a variety of pump models and therefore some instructions may not apply to a specific model. All models are intended for use in swimming pool applications. The pump will function correctly only if it is properly sized to the specific application and properly installed.

**⚠ WARNING Risk of harm.** Pumps improperly sized or installed or used in applications other than for which the pump was intended can result in severe personal injury or death. These risks may include but not be limited to electric shock, fire, flooding, suction entrapment or severe injury or property damage caused by a structural failure of the pump or other system component.

**⚠ CAUTION** Electrical controls such as on/off switches, timers, and control systems, etc. should be properly installed to allow the operation (start-up, shut-down, or servicing) of any pump or filter without requiring the user to place any portion of his/her body over or near the pump strainer lid or filter lid. Such installation should allow the user to stand clear of the filter and pump during system start-up, shut down or servicing of the system.

- Never open the inside of the drive motor enclosure. There is a capacitor bank that holds a 230 VAC charge even when there is no power to the unit.
- The pump is not submersible.
- The pump is capable of high flow rates; use caution when installing and programming to limit pumps performance potential with old or questionable equipment.
- Code requirements for the electrical connection differ from state to state. Install equipment in accordance with the National Electrical Code and all applicable local codes and ordinances.
- Before servicing the pump; press the Stop button and disconnect the communication cable, then switch OFF power to the pump by disconnecting the main circuit to the pump.
- This appliance is not intended for use by persons (including children) of reduced physical, sensory or mental capabilities, or lack of experience and knowledge, unless they have been given supervision or instruction concerning the use of the appliance by a person responsible for their safety.

**Complies with Energy Efficiency Requirements:** This pump complies with energy efficiency standards when installed with a compatible controller programmed to default to low-speed after any high-speed override. When installed and programmed, this pump and compatible controller meet the requirements of California Title 20, 24, and ANSI/APSP/ICC 15 -2011, Standard for Residential Swimming Pool and Spa Energy Efficiency.

**NOTICE** Port threads are: Internal - 2" NPT for direct connection to pipe. External - 3-1/4" Buttress.

For quick disconnect pipe connections, use the 1-1/2" Slip Half Union Kit included with the pump.

Only qualified, licensed personnel should install pump and wiring.

**Pump mount must:**

- Be located away from corrosive or flammable liquids.
- Have enough ventilation to maintain air temperature at less than the maximum ambient temperature rating (Max. Amb.) listed on the motor model plate. If this pump is installed in an enclosure/pump house, the enclosure must have adequate ventilation and air circulation to keep the temperature in the enclosure at or below the motor's rated ambient temperature whenever the pump is running.
- Be solid - Level - Rigid - Vibration free. (To reduce vibration and pipe stress, bolt pump to mount.)
- Allow pump suction inlet height to be as close to water level as possible. Pump will not lift water more than 10'(3m).
- Allow use of short, direct suction pipe (To reduce friction losses).
- Allow for gate valves in suction and discharge piping.
- Have adequate floor drainage to prevent flooding.
- Be protected from excess moisture.
- Allow adequate access for servicing pump and piping.

**⚠ WARNING Risk of fire and burns.** Can cause severe injury, property damage or death. Motors run at high temperatures. To reduce the risk of fire, do not allow leaves, debris, or foreign matter to collect around the pump motor. To avoid burns when handling the motor, let it cool for 20 minutes before trying to work on it.

**NOTICE** When connecting threaded pipe directly to pump, use PTFE pipe thread sealant tape to seal connections. Do not use pipe dope because it causes cracking in some plastics and may damage components in piping system.

When connecting pipe to pump with union half, use PTFE tape between pipe and union adapter. Union collar to pump should be assembled dry and hand-tight.

**NOTICE** Pump suction and discharge connections have molded in thread stops. DO NOT try to screw pipe in beyond these stops.

**Thread sealant tape instructions:**

- Use only new or clean PVC pipe fittings.
- Wrap male pipe threads with one to two layers of PTFE tape. Cover entire threaded portion of pipe.
- Do not overtighten or tighten past thread stop in pump port!
- If leaks occur, remove pipe, clean off old tape, rewrap with one to two additional layers of tape and remake the connection.

**NOTICE** Support all piping connected to pump!

**Piping**

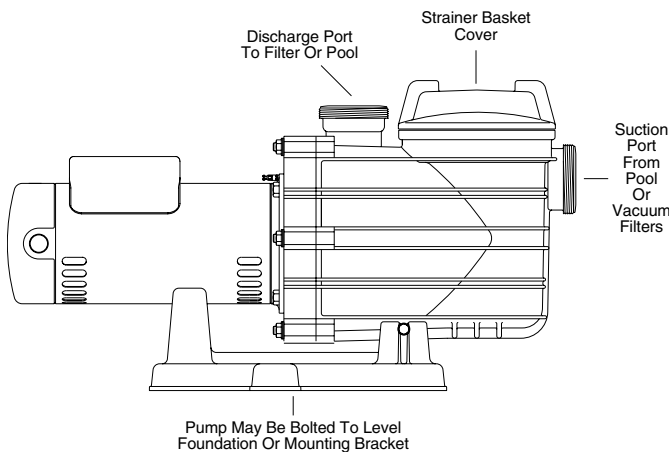
Use at least 1-1/2" (38mm) pipe (use 2"(51mm) pipe if possible). Increase size if a long run is needed. When using 1-1/2" pipe, connect to pump with 1-1/2" to 2" (38 to 51mm) reducing adapter (included).

To avoid strains on the pump, support both suction and discharge pipes independently. Place these supports near the pump.

To avoid a strain left by a gap at the last connection, start all piping at the pump and run pipe away from the pump.

To avoid airlocking, slope suction pipe slightly upward toward the pump.

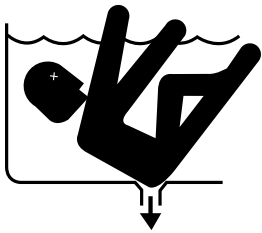
**NOTICE** To prevent flooding when removing pump for service, all flooded suction systems must have gate valves in suction and discharge pipes.



**Figure 1**



**Pool Pump Suction Requirements**

<b>⚠ DANGER</b>	<p><b>Hazardous Suction. Can trap hair or body, causing severe injury or death.</b></p> <ul style="list-style-type: none"> <li>Do not block suction.</li> <li>Keep small children under close adult supervision at all times.</li> </ul>
	

Pump suction is hazardous and can trap and drown or disembowel bathers. Do not use or operate swimming pools, spas, or hot tubs if a suction outlet cover is missing, broken, or loose. Follow the guidelines below for a pump installation which minimizes risk to users of pools, spas, and hot tubs.

**Entrapment Protection**

The pump suction system must provide protection against the hazard of suction entrapment or hair entrapment/entanglement.

**Suction Outlet Covers**

All suction outlet covers must be maintained. They must be replaced if cracked, broken, or missing.

See *Testing and Certification* for outlet cover certification requirements.

All suction outlets must have correctly installed, screw-fastened covers in place.

**Suction Outlets Per Pump**

Provide at least two hydraulically balanced main drains, with covers, as suction outlets for each circulating pump suction line (see Figure 2). The centers of the main drains (suction outlets) on any one suction line must be at least three feet apart.

The system must be built so that it cannot operate with the pump drawing water from only one main drain (that is, there must be at least two main drains connected to the pump whenever it is running – see Figure 2). However, if two main drains run into a single suction line, the single suction line may be equipped with a valve which will shut off both main drains from the pump.

More than one pump can be connected to a single suction line as long as the requirements listed above are met.

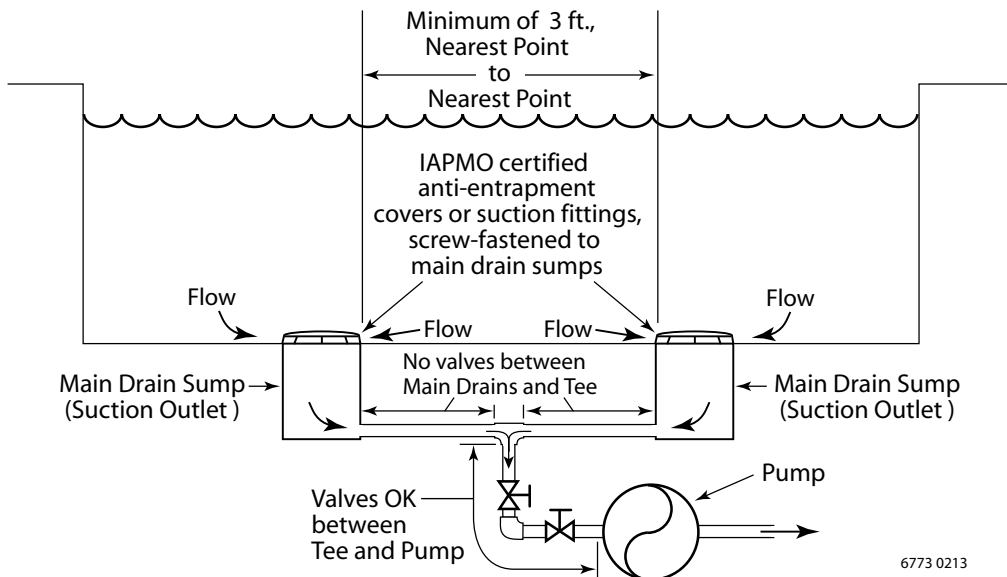
**Water Velocity**

The maximum water velocity through the suction fitting or cover for any suction outlet must be 1.5 feet per second unless the outlet complies with the latest ASME/ANSI Specification for *Suction Fittings For Use in Swimming Pools, Spas, Hot Tubs, and Whirlpool Bathtub Applications*. In any case, do not exceed the suction fitting's maximum designed flow rate.

If 100% of the pump's flow comes from the main drain system, the maximum water velocity in the pump suction hydraulic system must be six feet per second or less even if one main drain (suction outlet) is completely blocked. The flow through the remaining main drain(s) must comply with the latest ASME/ANSI Specification for *Suction Fittings For Use in Swimming Pools, Spas, Hot Tubs, and Whirlpool Bathtub Applications*.

**Testing and Certification**

Suction outlet covers must have been tested by a nationally recognized testing laboratory and found to comply with the latest ASME/ANSI Specifications for *Suction Fittings For Use in Swimming Pools, Spas, Hot Tubs, and Whirlpool Bathtub Applications*.



**Figure 2 – Recommended pump suction layout.**

## Fittings

Fittings restrict flow; for best efficiency use fewest possible fittings (but at least two suction outlets).

Avoid fittings which could cause an air trap.

Pool fittings must conform to International Association of Plumbing and Mechanical Officials (IAPMO) standards.

Use only non-entrapping suction fitting or double suction.

## Electrical

**⚠ WARNING Risk of electric shock.** Can shock, burn or kill. Ground pump before connecting to power supply.

- Ground motor before connecting to electrical power supply. Failure to ground motor can cause severe or fatal electrical shock hazard.
- To avoid dangerous or fatal electrical shock, turn OFF power to motor before working on electrical connections.
- Ground Fault Circuit Interrupter (GFCI) tripping indicates an electrical problem. If GFCI trips and will not reset, have a qualified electrician inspect and repair electrical system.
- Exactly match supply voltage to nameplate voltage. Incorrect voltage can cause fire or seriously damage motor and voids warranty. If in doubt consult a licensed electrician.

**⚠ WARNING Risk of explosion.** Do not ground to a gas supply line.

## Voltage

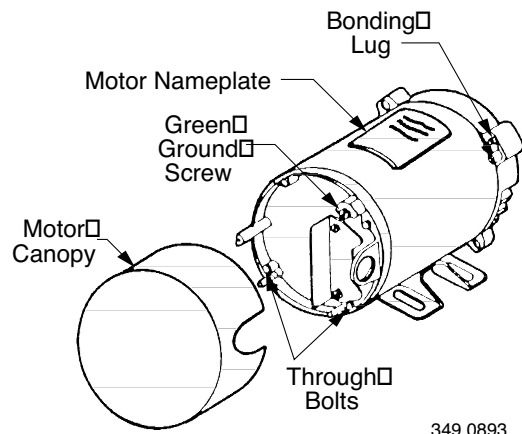
Voltage at motor must be not more than 10% above or below motor nameplate rated voltage or motor may overheat, causing overload tripping and reduced component life. If voltage is less than 90% or more than 110% of rated voltage when motor is running at full load, consult power company.

## Grounding/Bonding

Install, ground, bond and wire motor according to local or National Electrical Code requirements.

Permanently ground motor. Use green ground terminal provided under motor canopy or access plate (See Figure 3); use size and type wire required by code. Connect motor ground terminal to electrical service ground.

Connect a No. 8 AWG (8.4 sq.mm) solid copper bonding wire to the pressure wire connector provided on the motor housing and to all metal parts of the swimming pool, spa, or hot tub and to all electrical equipment, metal piping or conduit within 5 feet (1.5 m) of the inside walls of swimming pool, spa, or hot tub.



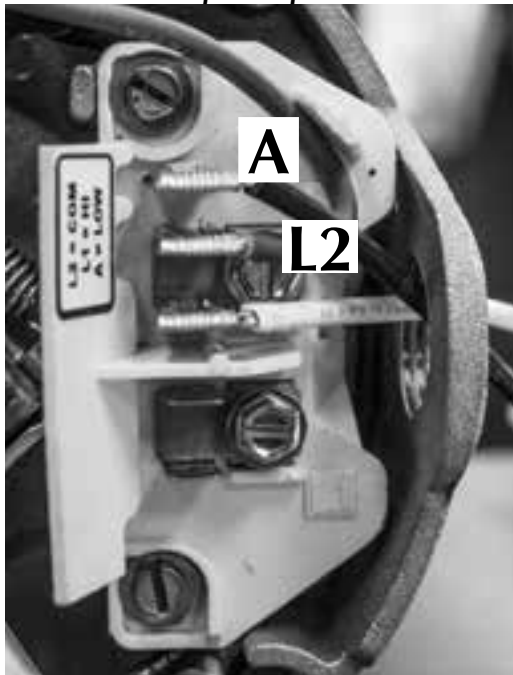
**Figure 3 – Typical ground screw and bonding lug locations.**

**Two Speed Motor**

These pump motors require that input power be applied to specific terminals to obtain low or high speed operation.

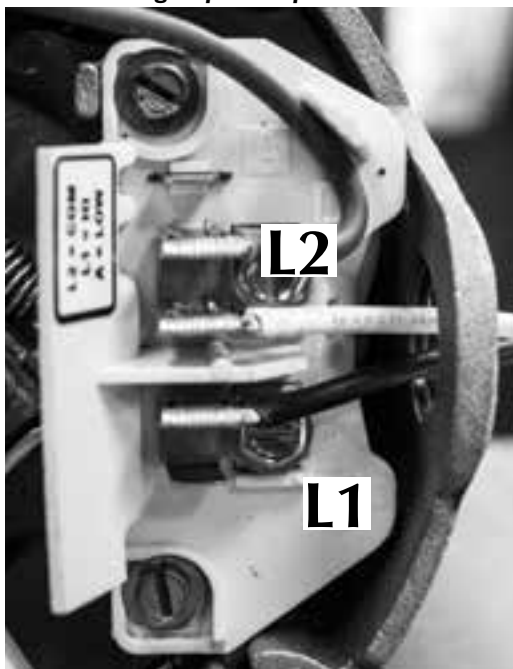
- To connect the motor for low speed operation, attach the input power leads to the L2 terminal (common) and the A terminal (low speed) of the terminal board located under the rear canopy.

**Low Speed Operation**



- To connect the motor for high speed operation, attach the input power leads to the L2 terminal (common) and the L1 terminal (high speed) of the terminal board located under the rear canopy.

**High Speed Operation**



**Wiring**

Pump must be permanently connected to circuit. Table I gives correct wire and circuit breaker sizes for the pump alone. If other lights or appliances are also on the same circuit, be sure to add their amp loads to pump amp load before figuring wire and circuit breaker sizes. (If unsure how to do this or if this is confusing, consult a licensed electrician.) Use the load circuit breaker as the master on-off switch.

Install a Ground Fault Circuit Interrupter (GFCI) in circuit; it will sense a short-circuit to ground and disconnect power before it becomes dangerous to pool users. For size of GFCI required and test procedures, see GFCI manufacturer's instruction.

In case of power outage, check GFCI for tripping (which will prevent normal pump operation). Reset if necessary.

**NOTICE** If you do not use conduit when wiring motor, be sure to seal wire opening on end of motor to prevent dirt, bugs, etc., from entering.

**Table I - Recommended Fusing Data**

Motor HP	Branch Fuse Rating Amps*	Max Load Amps	Voltage/Hz/Phase	Service to Motor Distance in Ft. (m)		
				0-100' (0-30)	101-200' (30-60)	201-300' (60-90)
				AWG Wire Size (mm <sup>2</sup> )		
1	15	6.1	230/60/1	14(2)		
1-1/2		7.7				

\* Time delay fuses are recommended instead of standard fuses in any motor circuit.




**NOTICE** NEVER run pump dry. Running pump dry may damage seals, causing leakage and flooding. Fill pump with water before starting motor.

**▲WARNING** **Risk of explosion.** Before removing trap cover:

1. **Stop pump** before proceeding.
2. **Close gate valves** in suction and discharge pipes.
3. **Release all pressure** from pump and piping system.
4. If pump is being pressure tested, be sure pressure has been released before removing trap cover.

**▲WARNING** **Risk of fire and burns.** Motors run at high temperatures. To reduce the risk of fire, do not allow leaves, debris, or foreign matter to collect around the pump motor. To avoid burns when handling the motor, let it cool for 20 minutes before trying to work on it. An automatic internal cutoff switch protects the motor from heat damage during operation.

	<p><b>Hazardous Suction. Can trap hair or body, causing severe injury or death.</b></p> <ul style="list-style-type: none"> <li>• Do not block suction.</li> <li>• Keep small children under close adult supervision at all times.</li> </ul>
--	--

## Priming Pump

Release all pressure from filter, pump, and piping system; see the filter owner's manual.

In a flooded suction system (water source higher than pump), pump will prime itself when suction and discharge valves are opened.

If pump is not in a flooded suction system, unscrew and remove trap cover; fill trap and pump with water. Do not lubricate the trap cover O-ring. The original equipment O-ring contains a permanent internal lubricant.

**NOTICE** If you replace the O-ring with a non-internally lubricated O-ring, you may need to apply a silicone based lubricant.

Clean and inspect O-ring; reinstall on trap cover.

Replace trap cover on trap; turn clockwise to tighten cover.

**NOTICE** Tighten trap cover by hand only (no wrenches)! Pump should prime now. Priming time will depend on vertical length of suction lift and horizontal length of suction piping.

If pump does not prime, make sure that all valves are open, suction pipe end is under water, pump is not trying to lift water more than 10' (3m), and that there are no leaks in suction pipe. If necessary, see *Troubleshooting*.

## Storage/Winterizing:

**NOTICE** Allowing pump to freeze will damage pump and void warranty!

**NOTICE** Do not use anti-freeze solutions (except propylene glycol) in your pool/spa system. Propylene glycol, or "RV antifreeze", is non-toxic and will not damage plastic system components; other anti-freeze formulas are highly toxic and may damage plastic components in the system.

Drain all water from pump and piping when expecting freezing temperatures or when storing pump for a long time (see *Draining Pump*).

Keep motor dry and covered during storage.

To avoid condensation/corrosion problems, **do not** cover pump with plastic.

For outdoor/unprotected installations:

1. Enclose entire system in a weatherproof enclosure.
2. To avoid condensation/corrosion damage, allow ventilation; do not wrap system in plastic.
3. Use a 40% propylene glycol/60% water solution to protect pump to -50°F (-46°C).

## Draining Pump

**▲WARNING** **Risk of electric shock.** Can shock, burn or kill. Disconnect power before working on pump or motor.

1. Pump down water level below all inlets to the pool.

**▲WARNING** **Risk of electric shock.** Can shock, burn or kill. To avoid dangerous or fatal electrical shock hazard, turn OFF power to motor before draining pump.

2. Remove trap cover and use low pressure air to blow accumulated water from the piping system. Use a pry bar or board to remove trap covers that have been overtightened or have taken a set and cannot be removed by hand. Lugs have been provided on the trap lid to use a lever or pry bar for loosening. Never use high pressure air to purge system.
3. Cap inlet piping after draining to keep water out of the pipes.
4. To prevent pump from freezing, remove trap cover and drain the tank body through the two drain plugs provided. Clean pump thoroughly; replace trap cover.

**NOTICE** Tighten trap cover by hand only (no wrenches)! If pump is not anchored, use caution to avoid breaking attached piping!

5. Be sure motor is kept dry and covered.

### Startup For Winterized Equipment

1. Remove any temporary weather protection placed around system for shutdown.
2. Follow filter manufacturer's instructions for reactivation of the filter.
3. Inspect all electrical wiring for damage or deterioration over the shutdown period. Have a qualified serviceman repair wiring as needed.
4. Inspect and tighten all watertight connections.
5. Open all valves in suction and return piping.
6. Remove any winterizing plugs in piping system.
7. Drain all antifreeze from system.
8. Close all drain valves and replace all drain plugs in piping system.
9. Prime pump according to instructions in *Priming Pump*.

### Maintenance

Pump should only be serviced by qualified personnel. For best results, use only genuine factory parts. Be sure to prime pump before starting.

**▲ WARNING Risk of explosion.** Before beginning pump service:

1. **Stop pump** before proceeding.
2. **Close gate valves** in suction and discharge pipes.
3. **Release all pressure** from pump and piping system.

**▲ WARNING Risk of electric shock.** Can shock, burn or kill. Disconnect power before working on pump or motor.

When using factory authorized parts, no lubrication or regular maintenance is needed beyond reasonable care and periodic cleaning of the strainer basket.

If shaft seal is worn or damaged, repair as follows:

### Pump Disassembly/Removing Old Seal

Before disassembly, disconnect power to pump motor. Be sure gate valves on suction and return piping are closed. Release all pressure by opening all vents.

1. Drain pump by removing drain plugs on bottom of pump body and trap body.
2. Be sure there is no pressure in trap body; remove cover (unscrew by turning counterclockwise).
3. Remove 6 nuts, lock-washers and flat washers holding seal plate to pump body (see *Repair Parts*). Pull seal plate and motor away from pump body. You may have to CAREFULLY use a screwdriver to separate body from seal plate.
4. Remove seven screws and washers holding diffuser to seal plate. Remove diffuser.

**▲ WARNING Risk of electric shock.** Can shock, burn or kill. Capacitor voltage may be hazardous. To discharge motor capacitor, hold insulated handle screwdriver BY

THE HANDLE and short capacitor terminals together. Do not touch metal screwdriver blade or capacitor terminals. If in doubt, consult a qualified electrician.

5. Remove motor canopy. Being careful not to touch capacitor terminals, loosen capacitor clamp and move capacitor to one side.
6. Hold shaft with 7/16" open-end wrench on motor shaft flats.
7. Unscrew impeller from shaft (turn counterclockwise when facing it).
8. Remove four screws holding seal plate to motor.
9. Place seal plate face down on flat surface and tap out ceramic seat (Figure 5).

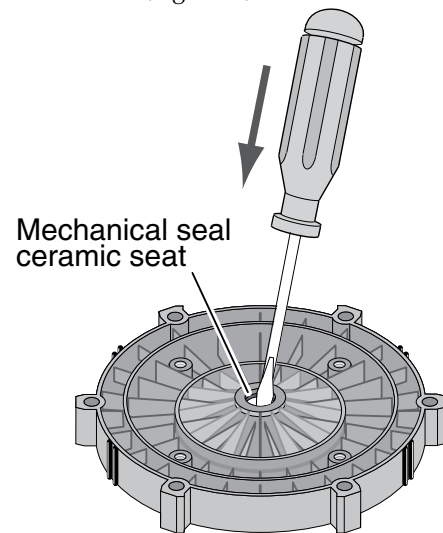


Figure 5

10. Remove slinger from motor shaft and inspect for damage or abrasion.
11. Clean seal cavity in seal plate and clean motor shaft.

### Pump Reassembly/Installing New Seal

1. Ceramic seat must be clean and free of dirt, grease, dust, etc. Wet outer edge with small amount of liquid detergent; press ceramic seat into seal plate cavity firmly and squarely with finger pressure (Figure 6).

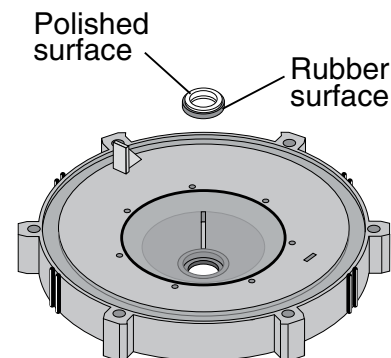


Figure 6

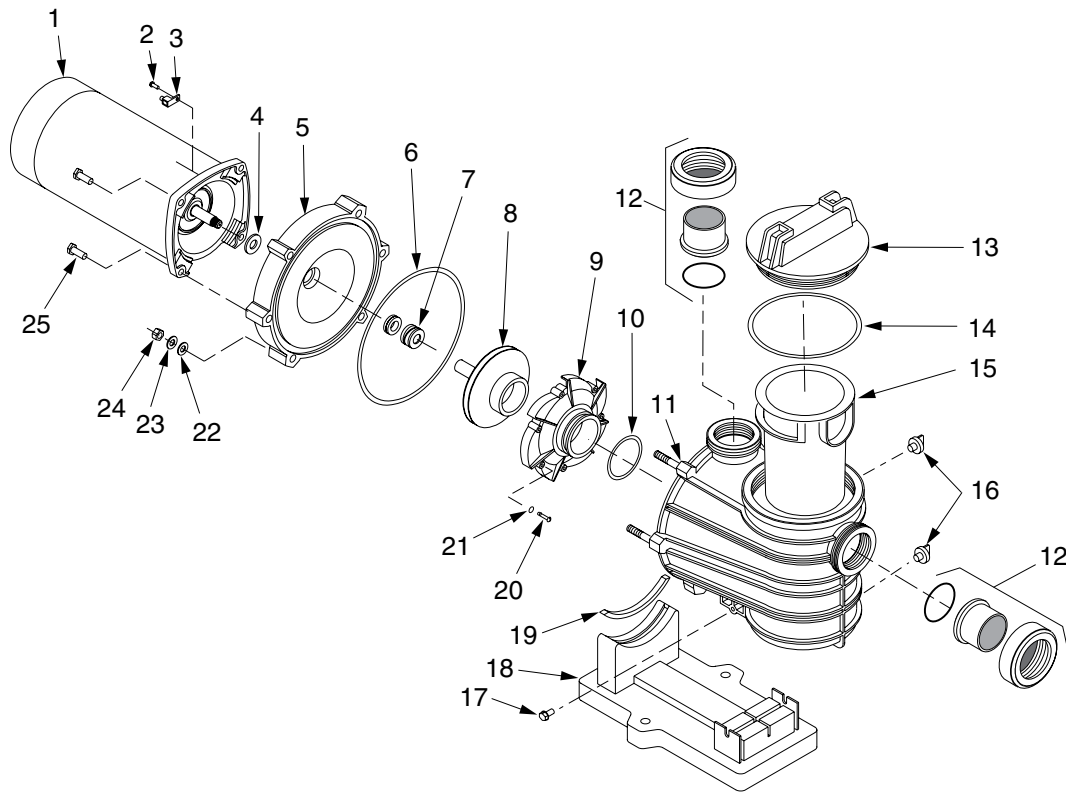
2. If ceramic seat will not locate properly, remove it, place face up on bench and reclean cavity. Ceramic seat should now locate.
3. If seat still will not locate properly, place a cardboard washer over the polished face and use a piece of 3/4" (19mm) standard pipe for pressing purposes. **NOTICE** Be sure not to scratch or mar polished surface or seal will leak.
4. Replace slinger on end of motor shaft so that impeller sleeve will push it into position. If slinger shows signs of wear or damage, replace it.
5. Remount seal plate on motor. Tighten bolts to 60-80 inch-lbs. (69-92 kg/cm) torque.
6. Apply a small amount of liquid detergent to inside diameter of rotating half of seal.
7. Slide rotating seal member, polished carbon face out, over impeller sleeve until rubber drive ring hits back of impeller. **NOTICE** Be sure not to nick or scratch polished seal face; seal will leak if face is damaged.
8. Screw impeller onto shaft (clockwise); this will automatically locate seal in seal plate.
9. Mount diffuser on seal plate; tighten screws to 10-14 inch-lbs. (11.2-16.1 kg/cm) torque.
10. Assemble motor and seal plate to pump body with nuts, flat washers and lock washers. Torque nuts to 120-130 in-lbs. (138-150 kg/cm).
11. Prime pump according to instructions in *Priming Pump*.

## Troubleshooting

**⚠ WARNING** Risk of electric shock. Can shock, burn or kill.

- Disconnect power before working on pump or motor.
- Read and understand safety and operating instructions in this manual before doing any work on pump!
- Only qualified personnel should electrically test pump motor!

Issue	Solution
Failure to pump; reduced capacity or discharge pressure	
Suction leaks/lost prime:	Pump must be primed; make sure that pump volute and trap are full of water. See <i>Priming Pump</i> .
	Make sure there are no leaks in suction piping.
	Make sure suction pipe inlet is well below the water level to prevent pump from sucking air.
	If suction trap gasket is defective, replace it.
	Make sure pump is not trying to lift water more than 10' (3m).
Clogged pipe/trap/impeller, worn impeller:	Make sure suction pipe is at least 1-1/2" (38mm) in diameter.
	Make sure suction trap is not clogged; if it is, clean trap and strainer.
	Make sure impeller is not clogged (follow instructions in <i>Removing Old Seal</i> ; check impeller for clogging; follow instructions in <i>Installing New Seal</i> for reassembly).
	Impeller and diffuser may be worn. If so, order replacement parts. See <i>Repair Parts</i> .
Electrical:	
Pump may be running too slowly	Check voltage at motor terminals and at meter while pump is running. If low, see wiring instructions or consult power company. Check for loose connections.
Pump may be too hot.	Check line voltage; if less than 90% or more than 110% of rated voltage consult a licensed electrician.
	Increase ventilation.
	Reduce ambient temperature.
	Tighten any loose connections.
Mechanical troubles and noise	If suction and discharge piping are not adequately supported, pump assembly will be strained. See <i>Installation</i> .
	Do not mount pump on a wooden platform! Securely mount on concrete platform for quietest performance.



Ref.	Description	Qty.	FPT20510 • 1 HP	FPT20515 • 1-1/2 HP
1	Motor, 230 Volt, 1 Phase, 2-Speed	1	62001-1117 PKG	62001-1116 PKG
2	Screw #10-32x1/2"	1		U30-692SS
3	Bonding Lug	1		U17-568
4	Slinger	1		17351-0009
5	Seal Plate	1		C3-184P
6	Seal Plate Cord Ring	1		U9-373
7	Shaft Seal	1		37400-0027S
8	Impeller*	1	C105-236P	C105-236B
9	Diffuser	1	C1-270PB	C1-270PC
10	Diffuser "O" Ring	1		U9-374
11	Pump and Trap Body (Only)	1		C76-58P
12	2x1-1/2" Slip Half-Union Kit (Includes 2 each Adapter, Collar, O-Ring)	1		77703-0101
13	Trap Cover*	1		C3-185P
14	Trap Cover "O" Ring	1		U9-375
15	Trap Basket	1		C8-58P
16	Drain Plug	2		U178-920P
17	Mounting Screw 5/16-14x5/8"	2		U30-919SS
18	Base	1		C4-77P
19	Motor Pad	1		C35-45
20	Screw #8-32x7/8" Rd. Hd.	7		U30-542SS
21	Lock Washer #8 Ext. Tooth	7		U43-21SS
22	Flat Washer 3/8"	6		U43-62SS
23	Lock Washer 3/8"	6		U43-12SS
24	Nut 3/8-16 Hex	6		U36-38SS
25	Cap Screws 3/8-16x1" Hex.	4		U30-74SS

\* For installations using biguanide sanitizers, order Part No. C3-185P3.

**Retain Original Receipt For Warranty Eligibility**

**Limited Warranty**

This Limited Warranty is effective June 1, 2011 and replaces all undated warranties and warranties dated before June 1, 2011. FLOTEC warrants to the original consumer purchaser (“Purchaser” or “You”) that its products are free from defects in material and workmanship for a period of twelve (12) months from the date of the original consumer purchase. If, within twelve (12) months from the original consumer purchase, any such product shall prove to be defective, it shall be repaired or replaced at FLOTEC’s option, subject to the terms and conditions set forth herein. Note that this limited warranty applies to manufacturing defects only and not to ordinary wear and tear. All mechanical devices need periodic parts and service to perform well. This limited warranty does not cover repair when normal use has exhausted the life of a part or the equipment.

The original purchase receipt and product warranty information label are required to determine warranty eligibility. Eligibility is based on purchase date of original product – not the date of replacement under warranty. The warranty is limited to repair or replacement of original purchased product only, not replacement product (i.e. one warranty replacement allowed per purchase). Purchaser pays all removal, installation, labor, shipping, and incidental charges.

For parts or troubleshooting assistance, DO NOT return product to your retail store - contact FLOTEC Customer Service at 1-800-365-6832.

Claims made under this warranty shall be made by returning the product (except sewage pumps, see below) to the retail outlet where it was purchased or to the factory immediately after the discovery of any alleged defect. FLOTEC will subsequently take corrective action as promptly as reasonably possible. No requests for service will be accepted if received more than 30 days after the warranty expires. Warranty is not transferable and does not apply to products used in commercial/rental applications.

**Sewage Pumps**

DO NOT return a sewage pump (that has been installed) to your retail store. Contact FLOTEC Customer Service. Sewage pumps that have seen service and been removed carry a contamination hazard with them.

If your sewage pump has failed:

- Wear rubber gloves when handling the pump;
- For warranty purposes, return the pump’s cord tag and original receipt of purchase to the retail store;
- Dispose of the pump according to local disposal ordinances.

**Exceptions to the Twelve (12) Month Limited Warranty**

Product	Warranty Period
FPOF360AC, FPOFDC	90 days
FPOS1775A, FPOS1790PCA, FPOS2400A, FPOS2450A, FPOS4100X, FP2800DCC, FPCP-20ULST, FPPSS3000, FPSC2150A, FPSC3150A, FPSC3350A	2 Years
4” Submersible Well Pumps, FPOS3200A, FPOS3250A, FPOS6000A, FPSC1725X, FPSC2200A, FPSC2250A, FPSE3601A, FPPSS5000	3 Years
FP7100 Series Pressure Tanks, E100ELT, E3305TLT, E3375TLT, E5005TLTT, E50TLT, E50VLT, E75STVT, E75VLT, FPSC3200A, FPSC3250A, FPSC4550A	5 Years

**General Terms and Conditions; Limitation of Remedies**

You must pay all labor and shipping charges necessary to replace product covered by this warranty. This warranty does not apply to the following: (1) acts of God; (2) products which, in FLOTEC’s sole judgment, have been subject to negligence, abuse, accident, misapplication, tampering, or alteration; (3) failures due to improper installation, operation, maintenance or storage; (4) atypical or unapproved application, use or service; (5) failures caused by corrosion, rust or other foreign materials in the system, or operation at pressures in excess of recommended maximums.

This warranty sets forth FLOTEC’s sole obligation and purchaser’s exclusive remedy for defective products.

FLOTEC SHALL NOT BE LIABLE FOR ANY CONSEQUENTIAL, INCIDENTAL, OR CONTINGENT DAMAGES WHATSOEVER.

THE FOREGOING LIMITED WARRANTIES ARE EXCLUSIVE AND IN LIEU OF ALL OTHER EXPRESS AND IMPLIED WARRANTIES, INCLUDING BUT NOT LIMITED TO IMPLIED WARRANTIES OF MERCHANTABILITY AND FITNESS FOR A PARTICULAR PURPOSE. THE FOREGOING LIMITED WARRANTIES SHALL NOT EXTEND BEYOND THE DURATION PROVIDED HEREIN.

Some states do not allow the exclusion or limitation of incidental or consequential damages or limitations on how long an implied warranty lasts, so the above limitations or exclusions may not apply to You. This warranty gives You specific legal rights and You may also have other rights which vary from state to state.

**FLOTEC • 293 Wright Street • Delavan, WI U.S.A. 53115**

**Phone: 1-800-365-6832 • Fax: 1-800-526-3757 • Web Site: [flotecwater.com](http://flotecwater.com)**


Warnings and safety instructions for these models are available at:  
<http://www.pentairpool.com/pool-owner/safety-warnings/>

**For parts or assistance, call Flotec Customer Service at 1-800-365-6832.**



## Directives de sécurité importantes

**Conservez ces directives** – Ce manuel renferme d'importantes directives qu'il faut suivre durant l'installation et l'entretien de la pompe.

Ce symbole  indique qu'il faut être prudent. Lorsque ce symbole apparaît sur la pompe ou dans cette Notice, rechercher une des mises en garde qui suivent, car elles indiquent un potentiel de blessures corporelles!

Le mot signal **DANGER** indique un danger qui, s'il n'est pas évité, *causera* la mort ou des blessures graves.

Le mot signal **AVERTISSEMENT** indique un risque qui, s'il n'est pas évité, *pourrait causer* la mort ou des blessures graves.

Le mot signal **ATTENTION** indique un risque qui, s'il n'est pas évité, *pourrait causer* des blessures mineures ou modérées.

Le mot **AVIS** est utilisé pour les pratiques qui ne sont pas reliées aux blessures personnelles.

Lire attentivement toutes les consignes de sécurité contenues dans cette Notice ou collées sur la pompe.

Garder les autocollants de sécurité en bon état; les remplacer s'ils manquent ou s'ils ont été endommagés.

### Proposition 65 en Californie Avertissement

**AVERTISSEMENT** Ce produit ainsi que les accessoires reliés contiennent des produits chimiques reconnus par l'État de la Californie comme causant des cancers, des malformations congénitales, ou d'autres problèmes de reproduction.

**DANGER** Si on ne respecte pas toutes les consignes de sécurité et tous les avertissements, on risque d'entraîner de graves blessures corporelles, voire la mort.

Cette électropompe doit être installée et entretenue uniquement par un professionnel qualifié en piscines. Les installateurs de piscines, les opérateurs et les propriétaires doivent lire les avertissements, les instructions d'utilisation et les consignes de sécurité figurant dans le guide d'utilisation avant de faire fonctionner cette électropompe. Ces avertissements et le guide d'utilisation doivent être remis au propriétaire de la piscine.

<b>DANGER</b>	<p><b>Aspiration dangereuse. Peut piéger les cheveux ou le corps et entraîner de graves blessures, voire la mort.</b></p> <ul style="list-style-type: none"> <li>• Ne pas boucher l'aspiration</li> <li>• Toujours surveiller attentivement les jeunes enfants.</li> </ul>
---------------	--

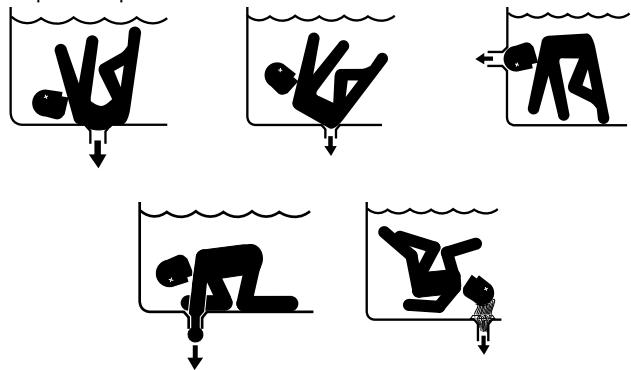
Pour plus d'informations au sujet de la loi Virginia Graeme Baker Pool and Spa Safety Act, contacter le Consumer Product Safety Commission au (301) 504-7908 ou visiter le site [www.cpsc.gov](http://www.cpsc.gov).

**DANGER** Risque d'être piégé par l'aspiration. Avant d'installer un couvercle ou d'intervenir sur un orifice d'aspiration, toujours couper le courant alimentant cette électropompe.

- Cette électropompe produit des niveaux d'aspiration très élevés et crée un vide puissant côté drain principal logé au fond de la piscine ou du spa. Cette aspiration est si forte qu'elle peut piéger les adultes ou les enfants sous l'eau si ces personnes viennent à proximité d'un drain de piscine ou de spa, d'un couvercle ou d'une grille desserré ou brisé.
- Se tenir loin du drain principal et de tous les orifices d'aspiration!

**DANGER** Risque d'être piégé par l'aspiration. L'utilisation de couvercles non approuvés ou permettre l'utilisation de la piscine ou du spa lorsqu'un couvercle est manquant, fissuré ou brisé peut entraîner le piégeage du corps ou d'un membre, l'enchevêtrement des cheveux, l'éviscération, voire la mort.

L'aspiration par un drain de piscine, de spa ou par un orifice d'aspiration peut causer :



**Le piégeage d'un membre** : Lorsqu'un membre est aspiré ou introduit dans un orifice. Ceci aura pour résultat le grippage mécanique ou une enflure. Ce danger est présent lorsqu'un couvercle est manquant, brisé, fissuré ou mal fixé.

**L'enchevêtrement des cheveux** : Lorsque les cheveux s'enchevêtrent ou se nouent dans le couvercle du drain et piègent le baigneur sous l'eau. Ce danger est présent lorsque le débit nominal du couvercle n'est pas suffisant pour la ou les pompes.

**Le piégeage du corps** : Lorsqu'une partie du corps est tenue contre le couvercle du drain, piégeant ainsi le baigneur sous l'eau. Ce danger est présent lorsque le débit nominal du couvercle n'est pas suffisant pour la ou les pompes.

**L'éviscération et l'éventration** : Lorsqu'une personne se baigne dans une piscine à ciel ouvert (en particulier une pataugeoire) ou se trouve tout près de l'orifice d'un spa et que l'aspiration se fait directement sur les intestins. Ceci entraînera de graves lésions intestinales. Ce danger est présent lorsqu'un couvercle est manquant, brisé, fissuré ou mal fixé.

**Le piégeage mécanique** : Lorsque des bijoux, un maillot de bain, des décorations de cheveux, des doigts, des orteils ou un jarret sont coincés dans l'ouverture d'un orifice ou du couvercle d'un drain. Ce danger est présent lorsque le couvercle est manquant, brisé, fissuré ou mal fixé.

**AVIS** Tous les tuyaux d'aspiration doivent être installés conformément aux plus récents codes du gouvernement fédéral et de la municipalité relatifs aux piscines et aux spas, y compris aux normes du NSPI et directives du CPSC.

**⚠ AVERTISSEMENT** Afin de minimiser les risques de subir des blessures causées par un danger de piégeage dû à l'aspiration :

- Les piscines et les spas doivent être dotés d'au moins deux drains par pompe.
- Chaque drain doit comporter un couvercle d'aspiration anti-piégeage approuvé ANSI/ASME A112.19.8, correctement installé et solidement fixé.
- Chaque couvercle d'aspiration doit être installé à une distance d'au moins trois (3) pieds l'un de l'autre, cette mesure étant prise entre les deux points les plus rapprochés.
- Inspecter régulièrement tous les couvercles à la recherche de fissures, de dommages et de détériorations avancées causés par le vieillissement climatique.
- Si un couvercle est desserré, fissuré, endommagé, cassé ou manquant, arrêter immédiatement la pompe et interdire l'utilisation de la piscine ou du spa. Afficher un avis stipulant de garder la piscine ou le spa fermé jusqu'à ce qu'un couvercle approprié et certifié soit correctement installé.
- Selon le besoin, remplacer le couvercle des drains. Avec le temps et son exposition au soleil et aux produits chimiques pour piscines, un couvercle se détériore.
- Ne pas approcher les cheveux, un membre ou une partie du corps du couvercle d'un orifice d'aspiration ni d'un drain de piscine.
- Désactiver les orifices d'aspiration ou les reconfigurer en retours d'eau.

**⚠ AVERTISSEMENT** **Risque de danger.** Un interrupteur d'arrêt d'urgence de la pompe de la piscine ou de la pompe à éjecteur du spa clairement identifié doit être installée dans un endroit facilement accessible, à proximité de la piscine ou du spa. S'assurer que les baigneurs connaissent l'emplacement de cet interrupteur et sachent comment l'utiliser en cas d'urgence.

**⚠ AVERTISSEMENT** **Risque de danger.** Pour minimiser les risques de blessures, ne pas permettre aux enfants d'utiliser ce produit à moins qu'ils soient toujours attentivement surveillés.

**⚠ AVERTISSEMENT** **Risque de choc électrique.** Pouvant causer l'électrocution, des brûlures, voire la mort. Ne brancher ce produit que sur un circuit de dérivation protégé par un disjoncteur de fuite à la terre. S'adresser à un électricien qualifié si on ne peut pas confirmer que le circuit est protégé par un tel disjoncteur. Cette pompe ne doit être branchée que sur un circuit électrique protégé par un disjoncteur de fuite à la terre. Un disjoncteur de fuite à la terre doit être fourni par l'installateur et testé sur une base régulière. Pour ce faire, appuyer sur le bouton « Test ». Le disjoncteur de fuite à la terre doit couper le courant électrique. Pousser à nouveau sur ce bouton pour rétablir le circuit. Si le disjoncteur de fuite à la terre ne fonctionne pas de cette manière, il est défectueux. Si le disjoncteur de fuite à la terre coupe le courant alimentant la pompe sans que l'on ait appuyé sur son bouton de contrôle, ceci indique qu'il y a fuite de courant à la terre, d'où la possibilité de choc électrique. Dans ce cas, ne pas utiliser la pompe. La débrancher et demander à un technicien qualifié de remédier au problème avant de la remettre en service.

**⚠ ATTENTION** Cette pompe ne doit être utilisée qu'avec une piscine installée en permanence, bien qu'elle puisse être également utilisée avec un spa, si cela est indiqué. Ne pas utiliser cette pompe avec des piscines démontables. Une piscine installée en permanence est une piscine creusée, hors terre ou située dans un bâtiment de telle sorte qu'elle ne puisse pas être facilement démontée pour être entreposée. Une piscine démontable est une piscine qui peut être facilement démontée pour être entreposée, puis remontée dans son intégralité d'origine.

**⚠ AVERTISSEMENT** **Risque de pressions dangereuses.** Les systèmes de circulation d'eau d'un spa et d'une piscine fonctionnent par des pressions extrêmement élevées. Tout matériel mal installé ou mal contrôlé risque de tomber en panne et d'entraîner de graves blessures et des dommages matériels. Lors de l'installation et de l'utilisation d'un tel matériel, lire et observer toutes les instructions d'utilisation et les consignes de sécurité figurant dans le guide d'utilisation. Demander à un expert en piscines de procéder aux tests de pression.

1. Ne pas raccorder le système sur une haute pression ni sur le service d'eau de la ville.
2. N'utiliser ce matériel que dans une installation de piscine ou de spa.
3. L'air emprisonné dans le système peut provoquer une explosion. S'ASSURER que tout l'air est chassé du système avant de faire fonctionner ou de contrôler le matériel. Lire l'avertissement concernant les pressions dangereuses stipulé ci-dessous. Ne pas utiliser d'air comprimé pour nettoyer, contrôler ou purger le matériel en préparation pour l'hiver.

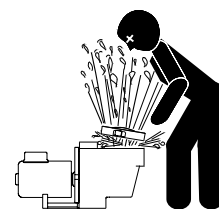
**Avant de vérifier la pression, procéder aux mesures suivantes :**

- Vérifier tous les colliers, boulons, couvercles et accessoires du système.
- Chasser tout l'air du système.
- Serrer le couvercle du préfiltre au couple de 4,1 kg/m (30 pi-lb).
- La pression de l'eau doit être inférieure à 7,5 kg/cm<sup>2</sup> (25 lb po<sup>2</sup>).
- La température de l'eau doit être inférieure à 38 °C (100 °F).
- Ne procéder aux tests que toutes les 24 heures. Après un test, vérifier visuellement le système pour s'assurer qu'il est prêt à fonctionner. Déposer, puis reposer le couvercle du préfiltre. Ne le serrer qu'à la main.

**AVIS** Ces paramètres d'essai s'appliquent uniquement aux modèles décrits. Pour les autres équipements, consultez le fabricant.

**⚠ AVERTISSEMENT** **Risque de pressions dangereuses.** Lors de la mise en service de la pompe et du filtre, ne pas s'en approcher. Les systèmes de circulation d'une pompe et d'un spa fonctionnent sous haute pression. Lorsque l'on intervient sur un composant d'un système de circulation (p. ex. bague de verrouillage, pompe, filtre, robinets-vannes, etc.), l'air peut pénétrer dans le système et être mis sous haute pression.

- Sous haute pression, l'air peut violemment séparer le couvercle du corps de la pompe ou du filtre, de même que les robinets-vannes et entraîner de graves blessures, voire la mort.



- Le couvercle du réservoir du filtre et du préfiltre doivent être adéquatement sécurisés pour qu'ils ne se séparent pas violemment.
- Ne pas s'approcher d'un composant du système de circulation lorsque l'on met la pompe sous tension ou lorsqu'on la démarre.
- Avant d'intervenir sur une piscine ou un spa, prendre note de la pression du filtre. S'assurer que toutes les commandes sont réglées de façon que le système ne puisse pas démarrer par inadvertance pendant la mise en service. Couper le courant alimentant la pompe.
- Ouvrir la soupape de dégagement d'air manuelle du filtre, puis attendre que toute la pression du système soit dissipée. la soupape de dégagement d'air manuelle et positionner tous les robinets-vannes dans la position « Ouverte » pour permettre à l'eau de circuler librement dans la piscine ou le spa.
- Ne pas fermer la soupape de dégagement d'air manuelle du filtre tant que la pression n'est pas complètement dissipée et qu'un jet d'eau continue jaillisse de la soupape. Observer le manomètre du filtre et s'assurer qu'il n'est pas réglé plus haut que la pression à laquelle il était avant la remise en service.

Avertissements et consignes de sécurité pour ces pompes sont disponibles à le site : <http://www.pentairpool.com/pool-owner/safety-warning/>. On peut aussi composer le 800 831-7133 pour obtenir d'autres exemplaires gratuits de ces instructions.

## Avertissements d'ordre général

- Toutes les interventions doivent être exécutées par un professionnel en piscines et être conformes à tous les codes des gouvernements fédéral, de la province et de la municipalité.
- Prévoir le drainage des coffrets des composants électriques.
- Les informations contenues dans ces instructions s'appliquent à une grande variété de modèles de pompe. Certaines instructions peuvent donc ne pas s'appliquer à un modèle spécifique. Tous les modèles sont destinés à être utilisés avec une piscine. La pompe fonctionnera correctement si elle est adéquatement appareillée à la dimension spécifique de l'utilisation que l'on veut en faire et si elle est correctement installée.

**⚠ AVERTISSEMENT** **Risque de danger.** Toute pompe de puissance inadéquate, installée ou utilisée dans une installation autre que celle pour laquelle elle a été prévue peut entraîner des blessures graves, voire la mort. Ces risques peuvent inclure, mais ne pas se limiter à des chocs électriques, un incendie, une inondation, un piégeage par aspiration, de graves blessures ou des dommages matériels causés par une panne structurelle de la pompe ou de tout autre composant du système.

**⚠ ATTENTION** Les commandes électriques, comme que les interrupteurs, les minuteries et les systèmes de commande, etc., doivent être adéquatement installées pour permettre le fonctionnement (démarrage, arrêt ou entretien) d'une pompe ou d'un filtre sans que l'utilisateur ait à positionner une partie de son corps au-dessus ou près du couvercle du préfiltre ou du filtre. Une telle installation doit permettre à l'utilisateur de ne pas avoir à s'approcher du filtre ni de la pompe pendant le démarrage, l'arrêt ou toute intervention sur le système.

- Ne jamais ouvrir l'enceinte du moteur. Elle contient une batterie de condensateurs dont la charge est de 230 volts en courant alternatif, même si le courant n'alimente pas cette enceinte.
- La pompe n'est pas submersible.
- La pompe produit des débits élevés. Faire preuve de prudence lors de l'installation et de la programmation du potentiel de rendement d'une pompe utilisée avec du matériel ancien ou dont la fiabilité n'est pas certaine.
- Les exigences du code concernant le branchement électrique diffèrent d'un état à l'autre. Installer le matériel conformément au National Electrical Code et à tous les codes et décrets en vigueur dans la municipalité.
- Avant d'intervenir sur la pompe, appuyer sur le bouton d'arrêt et débrancher le câble de communication, puis COUPER le courant alimentant la pompe en débranchant le circuit principal alimentant la pompe.
- Ce produit ne doit pas être utilisé par des personnes (y compris les enfants) dont les capacités physiques, sensorielles ou mentales sont réduites ou par des personnes n'ayant aucune connaissance ou compétence du produit, à moins qu'elles soient surveillées ou qu'elles aient reçu les instructions d'utilisation de ce produit par la personne responsable de leur sécurité.

**Conforme aux exigences de rendement énergétique:** Cette pompe est conforme aux normes d'efficacité énergétique lorsqu'ils sont installés avec un contrôleur compatible programmé par défaut à basse vitesse après tout emporter de haute vitesse. Lorsqu'il est installé et programmé, ce contrôleur de pompe et compatibles répondent aux exigences de la Californie Titre 20, 24 et ANSI / APSP / CCI 15 -2011, standard pour piscine résidentielle et l'efficacité énergétique spa.

Flotec® et Pentair Water Pool and Spa® sont des marques de commerce déposées de Pentair, Inc. et/ou de ses compagnies affiliées aux États-Unis et/ou dans d'autres pays. À moins d'indication contraire, des noms et marques d'autres fabricants peuvent être utilisés dans ce document. Ceci n'indique pas qu'il y a affiliation ou approbation entre les propriétaires de ces noms et marques et Pentair, Inc. Ces noms et marques peuvent être des marques de commerce ou déposées de ces parties ou d'autres parties.

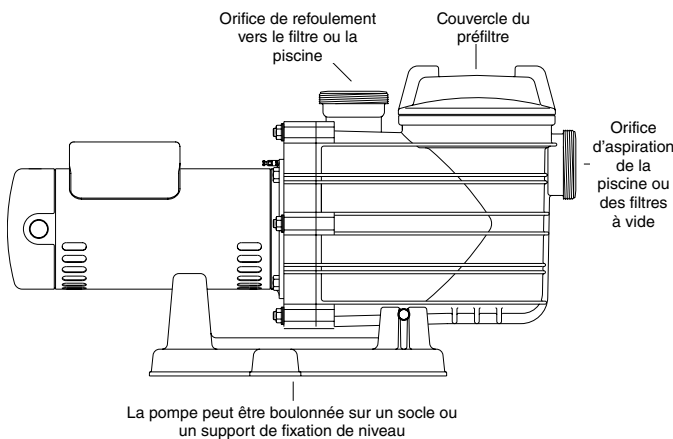
**AVIS** Le filetage des orifices est : interne – 2 po NPT pour raccordement direct sur des tuyaux. Externe – trapézoïdal de 3 ¼ po.

Pour un raccordement rapide des tuyaux, utiliser les raccords-unions lisses de 1 ½ po livrés avec la pompe.

Seul du personnel qualifié et agréé doit installer la pompe et procéder à son câblage.

**La surface de fixation de la pompe doit :**

- Être située loin de liquides corrosifs ou inflammables.
- La ventilation doit être suffisante pour maintenir la température de l'air à une température inférieure à la température ambiante maximale (Amb. Max.), laquelle est indiquée sur la plaque signalétique du moteur. Si cette pompe est installée dans une enceinte ou un abri, la ventilation et la circulation de l'air doivent être adéquates pour y maintenir une température égale ou inférieure à la température ambiante nominale de fonctionnement du moteur lorsque la pompe est en marche.
- Être solide – De niveau – Rigide – Ne pas vibrer. (Pour minimiser les contraintes et les vibrations exercées sur la tuyauterie, boulonner la pompe sur sa surface de fixation.)
- Être telle que la hauteur de l'orifice d'aspiration de la pompe soit aussi proche que possible du niveau de l'eau. La pompe ne refoulera pas l'eau à plus de 3 mètres (10 pieds).
- Permettre le branchement d'un tuyau court pour une aspiration directe (afin de réduire les pertes de charge).
- Permettre la pose de robinets-vannes sur les tuyaux d'aspiration et de refoulement.
- Permettre un drainage adéquat afin de prévenir les inondations.
- Être protégé de l'humidité excessive.
- Permettre un accès adéquat à la pompe et à la tuyauterie pour l'entretien.



**Figure 1**

**⚠ AVERTISSEMENT Risque d'incendie et de brûlures.** Pouvant causer de graves blessures, des dommages matériels, voire la mort. Les moteurs fonctionnent par des températures extrêmement élevées. Pour réduire les risques d'incendie, ne pas laisser de feuilles, de débris ou d'autres matières dangereuses s'accumuler autour du moteur de la pompe. Pour ne pas se brûler lorsqu'on intervient sur le moteur, le laisser refroidir pendant 20 minutes.

**AVIS** Lorsqu'on raccorde directement un tuyau fileté sur la pompe, utiliser du ruban d'étanchéité en PTFE pour filetage pour rendre les raccords étanches. Ne pas utiliser de pâte à joint, car elle provoquera la fissuration de certains plastiques et pourra endommager les composants la tuyauterie.

Si on raccorde un tuyau sur la pompe avec un raccord-union, utiliser du ruban d'étanchéité en PTFE sur les filets du tuyau et de l'adaptateur du raccord-union. Les manchons de raccordement de la pompe doivent être montés à sec et serrés à la main.

**AVIS** Des butés sont moulées dans le filetage des raccords d'aspiration et de refoulement de la pompe. NE PAS essayer de visser un tuyau au-delà de ces butées.

**Instructions pour l'utilisation de ruban d'étanchéité pour raccords filetés**

- N'utiliser que des raccords de tuyau en PVC neufs ou propres.
- Envelopper les filets du tuyau mâle d'une ou de deux couches de ruban PTFE. Couvrir toute la partie filetée du tuyau.
- Ne pas serrer exagérément ni au-delà de la butée filetée moulée dans l'orifice de la pompe!
- En cas de fuites, déposer le tuyau, enlever l'ancien ruban, enrouler les filets du tuyau d'une ou deux couches de ruban neuf, puis procéder au raccordement.

**AVIS** Toute la tuyauterie raccordée sur la pompe doit être supportée!

**Tuyauterie**

Utiliser des tuyaux ayant un diamètre d'au moins 38 mm (1 ½ po). Dans la mesure du possible, il est préférable d'utiliser des tuyaux d'un diamètre de 51 mm (2 po). Augmenter le diamètre des tuyaux si l'on doit en utiliser de grandes longueurs. Si on utilise un tuyau de 1 ½ po, le raccorder sur la pompe avec un réducteur augmentateur de 38 à 51 mm (de 1 ½ à 2 po) (fourni).

Pour qu'aucune contrainte ne soit exercée sur la pompe, supporter indépendamment les tuyaux d'aspiration et de refoulement. Poser ces supports à proximité de la pompe.

Pour qu'aucune contrainte ne soit exercée par tout espace laissé après le dernier raccordement, commencer par raccorder la tuyauterie côté pompe et continuer en s'en éloignant.

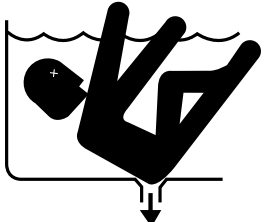
Pour prévenir la formation de poches d'air, le tuyau d'aspiration doit avoir une légère pente ascendante vers la pompe.

**AVIS** Pour prévenir les inondations au cas où l'on devrait débrancher la pompe pour l'entretenir, tous les systèmes d'aspiration noyés des tuyaux de refoulement et d'aspiration doivent comporter des robinets-vannes.



## Exigences pour l'aspiration de la pompe pour piscine

⚠
DANGER



**Aspiration dangereuse. Peut piéger les cheveux ou le corps et entraîner de graves blessures, voire la mort.**

- Ne pas boucher l'aspiration
- Toujours surveiller attentivement les jeunes enfants.

L'aspiration de la pompe est dangereuse et peut piéger, noyer ou éventrer les baigneurs. Ne pas utiliser ni faire fonctionner une piscine ni un spa si le couvercle de l'orifice d'aspiration est manquant, brisé ou desserré. Observer les directives qui suivent pour installer la pompe et minimiser les risques que pourraient subir les utilisateurs d'une piscine ou d'un spa.

### Protection contre le piégeage

Le système d'aspiration de la pompe doit offrir une protection contre tout risque d'être piégé par l'aspiration ou d'enchevêtrement des cheveux.

### Couvercles des orifices d'aspiration

Tous ces couvercles doivent être en place et remplacés s'ils sont fissurés, brisés ou manquants.

Se reporter à la rubrique *Contrôle et certification* concernant les exigences de certification des couvercles des orifices.

Tous les orifices d'aspiration doivent être correctement installés et leur couvercle doit être boulonné en place.

### Orifices d'aspiration par pompe

Prévoir au moins deux drains principaux hydrauliquement équilibrés munis de couvercles par orifice d'aspiration de chaque conduite d'aspiration de pompe de circulation (voir la Figure 2). La distance au centre entre les drains principaux (orifices d'aspiration) de toutes les conduites d'aspiration doit être d'au moins trois pieds.

Le système doit être construit de sorte qu'il ne puisse pas fonctionner si la pompe n'aspire l'eau que d'un seul drain principal (c'est-à-dire, qu'il doit y avoir au moins deux drains principaux raccordés sur la pompe lorsqu'elle fonctionne – voir la Figure 2). Toutefois, si deux drains principaux sont raccordés à une seule conduite d'aspiration, celle-ci doit être dotée d'un robinet-vanne qui permettra de fermer les deux drains principaux de la pompe.

Plus d'une pompe peut être raccordée à une seule conduite d'aspiration, à condition que les exigences énumérées précédemment soient respectées.

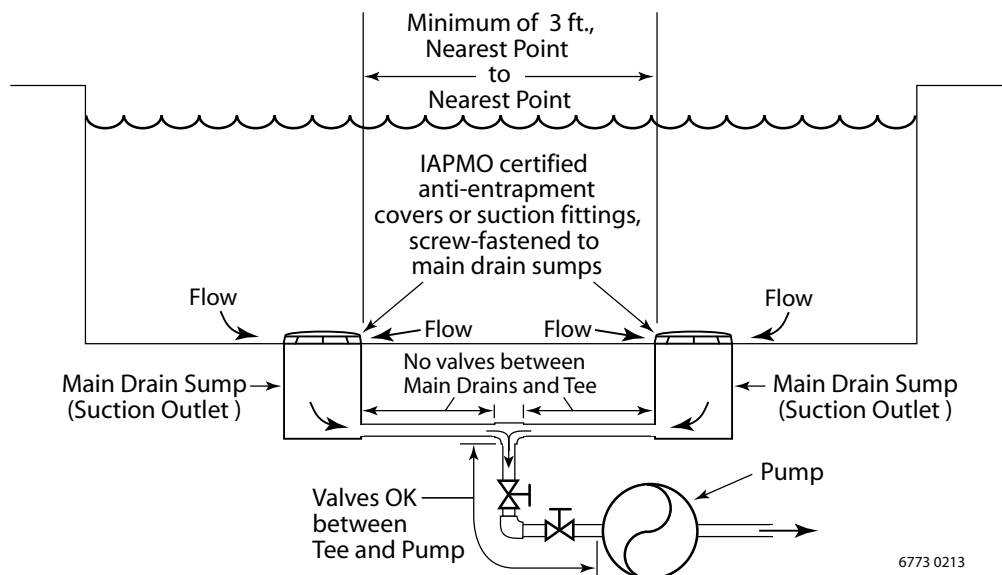
### Vitesse de l'eau

La vitesse maximale de l'eau circulant dans le raccord ou le couvercle d'aspiration d'un orifice d'aspiration doit être d'au moins 1,50 pied par seconde, à moins que cet orifice soit conforme aux plus récentes caractéristiques de l'ASME/ANSI concernant les *Suction Fittings For use in Swimming Pools, Spas, Hot Tubs, and Whirlpool Bathtub Applications*. Dans tous les cas, ne jamais dépasser le débit maximal spécifié du raccord d'aspiration.

Si tout le débit de la pompe provient d'un système à drain principal, la vitesse maximale de l'eau circulant dans le système hydraulique d'aspiration de la pompe doit être six pieds par seconde au maximum, même si un des drains principaux (orifice d'aspiration) est complètement bouché. Le débit dans le ou les autres drains principaux doit être conforme aux plus récentes caractéristiques de l'ASME/ANSI concernant les *Suction Fittings For use in Swimming Pools, Spas, Hot Tubs, and Whirlpool Bathtub Applications*.

### Tests et certification

Le couvercle de chaque orifice d'aspiration doit avoir été testé par un laboratoire d'essais accrédité à l'échelle nationale qui aura déterminé que chaque couvercle est conforme aux plus récentes caractéristiques de l'ASME/ANSI concernant les *Suction Fittings For use in Swimming Pools, Spas, Hot Tubs, and Whirlpool Bathtub Applications*.



6773 0213

Figure 2 – Raccordement recommandé de l'aspiration de la pompe.



## Raccords

Les raccords réduisent le débit. Pour un bon débit, utiliser le moins de raccords possible (mais au moins deux orifices d'aspiration).

Éviter d'utiliser des raccords qui risqueraient d'emprisonner l'air.

Les raccords de piscine doivent être conformes aux normes de l'International Association of Plumbing and Mechanical Officials (IAPMO).

N'utiliser que des raccords d'aspiration ne pouvant pas causer le piégeage ou à double aspiration.

## Électricité

**⚠ AVERTISSEMENT** **Risque de choc électrique.** Pouvant causer l'électrocution, des brûlures, voire la mort. Avant de brancher la pompe sur le courant électrique, la raccorder à la terre.

- Mettre le moteur à la terre avant de le brancher sur le courant électrique. Le défaut de mettre le moteur à la terre peut provoquer le risque de chocs électriques graves, voire mortels.
- Pour ne pas subir des chocs électriques dangereux, voire mortels, couper le courant alimentant le moteur avant d'intervenir sur les connexions électriques.
- Un disjoncteur de fuite à la terre déclenché indique un problème électrique. Si un tel disjoncteur se déclenche et qu'on ne peut pas le réarmer, demander à un électricien qualifié d'inspecter et de réparer l'installation électrique.
- Toujours faire correspondre exactement la tension du courant électrique à celle indiquée sur la plaque signalétique du moteur. Une mauvaise tension peut provoquer un incendie ou endommager sérieusement le moteur, ce qui annulera la garantie. En cas de doute, consulter un électricien qualifié.

**⚠ AVERTISSEMENT** **Risque d'explosion.** Ne pas mettre l'installation à la terre sur une conduite de gaz.

## Tension

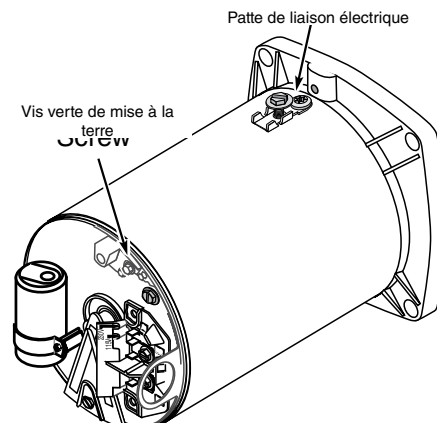
La tension alimentant le moteur ne doit pas être supérieure ni inférieure à 10 % de la tension nominale indiquée sur la plaque signalétique du moteur, sinon le moteur risque de surchauffer. Toute surchauffe du moteur causée par une surcharge provoquera des déclenchements intempestifs et réduira la durée des composants. Si, pendant que le moteur fonctionne à pleine charge, la tension est inférieure à 90 % ou supérieure à 110 % de la tension nominale, s'adresser à la compagnie d'électricité.

## Mise à la terre et liaison électrique

Installer, mettre à la terre, lier et câbler le moteur conformément au National Electrical Code et aux codes de la municipalité.

Le moteur doit être mis à la terre en permanence. Utiliser la cosse verte qui se trouve sous le carter du moteur ou la plaque d'accès (voir la Figure 3); utiliser le diamètre et le type de fils requis par les codes. Brancher la cosse de mise à la terre du moteur sur la mise à la terre du branchement électrique.

Brancher un fil de liaison en cuivre massif de calibre n° 8 AWG (8,4 mm<sup>2</sup>) sur le connecteur du fil de pression prévu sur le carter du moteur et sur toutes les parties métalliques de la piscine ou du spa et toute l'installation électrique, tuyauterie ou conduite métalliques se trouvant à 1,50 m (5 pieds) des parois intérieures de la piscine ou du spa.



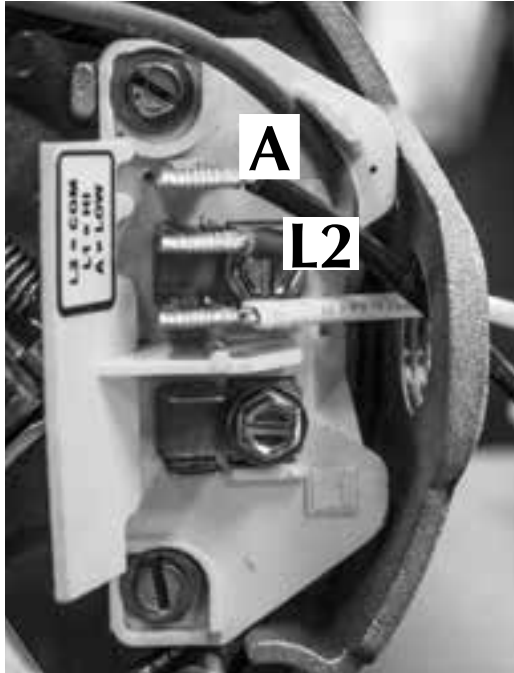
**Figure 3 - Emplacement type de la vis de mise à la terre et de la patte de liaison électrique**

## Moteur à deux vitesses

Ces moteurs de pompe exigent que la puissance d'entrée est appliquée aux bornes spécifiques pour obtenir un fonctionnement à vitesse basse ou élevée.

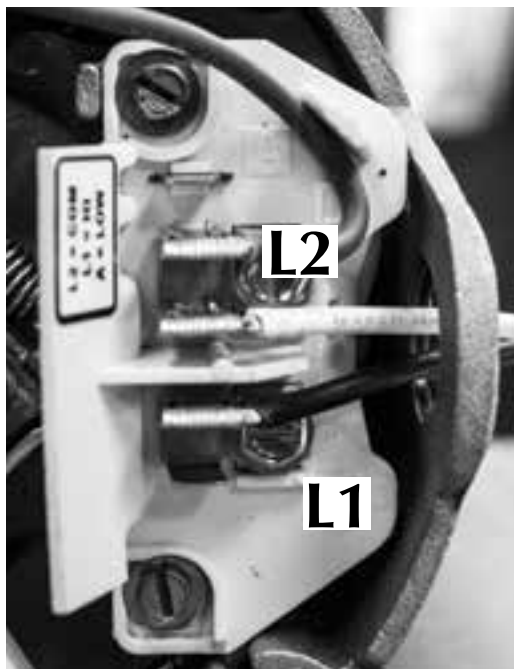
- Pour le raccordement du moteur pour un fonctionnement à basse vitesse, relier les fils d'alimentation d'entrée à la borne L2 (commun) et la borne A (basse vitesse) du panneau de bornes situé sous le carter arrière.

### Fonctionnement à basse vitesse



- Pour le raccordement du moteur pour un fonctionnement à haute vitesse, relier les fils d'alimentation d'entrée à la borne L2 (commun) et la borne L1 (haute vitesse) du panneau de bornes situé sous le carter arrière.

### Fonctionnement à haute vitesse



## Câblage

La pompe doit être branchée en permanence sur un circuit électrique. Le Tableau I indique le bon calibre des fils et des disjoncteurs à utiliser avec la pompe seulement. Si d'autres éclairages ou appareils sont également branchés sur le circuit de la pompe, ne pas oublier d'ajouter leur charge en ampères à celle de la pompe avant de déterminer le calibre des fils et des disjoncteurs. (Si on ne sait pas comment déterminer ces calibres, consulter un électricien qualifié.) Utiliser le disjoncteur principal en tant qu'un disjoncteur de charge.

Installer un disjoncteur de fuite à la terre sur le circuit. Ce disjoncteur détectera tout court-circuit à la terre et coupera le courant alimentant la pompe avant qu'il y ait danger pour les utilisateurs de la piscine. Pour connaître le calibre du disjoncteur de fuite à la terre requise et comment le tester, se reporter aux instructions du fabricant du disjoncteur de fuite à la terre.

En cas de panne de courant, vérifier si le disjoncteur de fuite à la terre n'a pas sauté (dans ce cas, il empêchera la pompe de fonctionner). Le réarmer au besoin.

**AVIS** Si le câblage du moteur n'est pas installé dans un conduit, rendre étanches les ouvertures d'entrée des fils côté moteur pour que la saleté, les insectes, etc. n'y pénètrent pas.

**Tableau I – Informations concernant les fusibles recommandés**

Puissance en ch du moteur	Intensité des fusibles de dérivation en ampères*	Ampères max. à pleine charge	Tension/ Hz/ Phase	Distance en pieds (mètres) entre le service et le moteur		
				0-100 pi. (0-30)	101-200 pi. (30-60)	201-300 pi. (60-90)
				Calibre AWG des fils (en mm <sup>2</sup> )		
1	15	6,1	230/60/1	14(2)		
1-1/2		7,7				

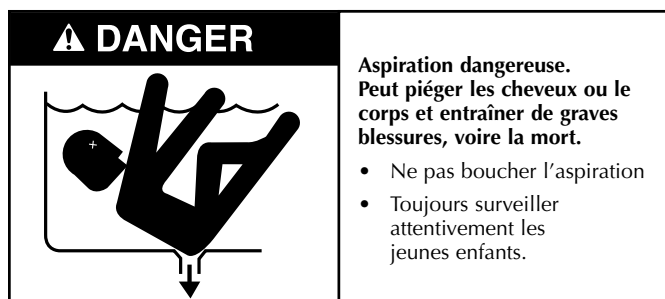
\* Il est recommandé d'utiliser des fusibles temporisés plutôt que des fusibles standard sur tout circuit alimentant le moteur.

**AVIS** NE JAMAIS faire fonctionner la pompe à sec, sinon ses joints seront endommagés et il y aura fuite et inondation. Avant de démarrer le moteur, faire le plein d'eau de la pompe.

**⚠ AVERTISSEMENT** **Risque d'explosion.** Avant d'enlever le couvercle du préfiltre :

1. **Arrêter la pompe.**
2. **Fermer les robinets-vannes** des tuyaux d'aspiration et de refoulement.
3. **Dissiper toute la pression** dans la pompe et les tuyauteries.
4. Si on procède à un contrôle de pression de la pompe, s'assurer que toute la pression a bien été dissipée avant d'enlever le couvercle du préfiltre.

**⚠ AVERTISSEMENT** **Risque d'incendie et de brûlures.** Les moteurs fonctionnent par des températures extrêmement élevées. Pour réduire les risques d'incendie, ne pas laisser de feuilles, de débris ou d'autres matières dangereuses s'accumuler autour du moteur de la pompe. Pour ne pas se brûler lorsqu'on intervient sur le moteur, le laisser refroidir pendant 20 minutes. Pendant le fonctionnement du moteur, un disjoncteur interne à arrêt automatique le protège contre les dommages de surchauffe.



## Amorçage de la pompe

Dissiper toute la pression dans le filtre, la pompe et les tuyauteries; se reporter au guide d'utilisation du filtre.

Dans le cas d'un système d'aspiration noyé (la source d'eau est plus haute que la pompe), la pompe s'amorcera automatiquement dès que l'on ouvrira les robinets d'aspiration et de refoulement.

Si la pompe n'est pas raccordée à un système d'aspiration noyé, dévisser et déposer le couvercle du préfiltre, puis faire le plein d'eau du préfiltre et de la pompe. Ne pas lubrifier le joint torique d'origine du couvercle du préfiltre, il est à lubrification interne permanente.

**AVIS** Si on remplace le joint torique par un joint torique non lubrifié intérieurement, il faudra l'enduire d'un lubrifiant à base de silicone.

Nettoyer et inspecter le joint torique du couvercle du préfiltre. Reposer le couvercle, puis le tourner à droite pour le serrer.

**AVIS** Ne serrer le couvercle du préfiltre qu'à la main (pas de clé)! La pompe devrait s'amorcer. Le temps qu'il lui faudra pour qu'elle s'amorce dépendra de la hauteur géométrique d'aspiration verticale et de la longueur horizontale de la tuyauterie d'aspiration.

Si la pompe ne s'amorce pas, s'assurer que tous les robinets-vannes sont ouverts, que l'extrémité du tuyau d'aspiration est immergée dans l'eau, que la pompe n'essaie pas de pomper l'eau à une hauteur supérieure à 3 mètres (10 pieds) et que le tuyau d'aspiration ne fuit pas. Au besoin, se reporter à la rubrique Recherche des pannes.

## Entreposage et préparation pour l'hiver :

**AVIS** Ne pas laisser la pompe geler, sinon elle sera endommagée et la garantie sera annulée!

**AVIS** Dans la piscine ou le spa, ne pas utiliser de solutions antigels (à l'exception de propylène glycol). Le propylène glycol ou « antigel pour véhicules récréatifs » est non toxique et n'endommagera pas les composants en plastique du système; toutes les autres formules d'antigel sont très toxiques et peuvent endommager les composants du système.

Vider toute l'eau de la pompe et des tuyauteries si l'on prévoit du gel ou si la pompe doit être entreposée pendant longtemps (voir *Vidange de la pompe*).

Pendant que le moteur est entreposé, le garder au sec et couvert. Pour prévenir tout problème de condensation et de corrosion, **ne pas** couvrir la pompe de plastique.

Dans le cas des installations extérieures et non protégées :

1. Installer tout le système dans une enceinte étanche.
2. Pour éviter tout dommage causé par la condensation et la corrosion, assurer une bonne ventilation; ne pas envelopper le système de plastique.
3. Pour protéger la pompe jusqu'à -46 °C (-50 °F), utiliser une solution faite de 40 % de propylène glycol et de 60 % d'eau.

## Vidange de la pompe

**⚠ AVERTISSEMENT** **Risque de choc électrique.** Pouvant causer l'électrocution, des brûlures, voire la mort. Avant d'intervenir sur le moteur ou la pompe, couper le courant qui les alimente.

1. Pomper l'eau plus bas que le niveau des orifices d'aspiration alimentant la pompe.

**⚠ AVERTISSEMENT** **Risque de choc électrique.** Pouvant causer l'électrocution, des brûlures, voire la mort. Pour éviter tout risque de secousses électriques dangereuses, voire mortelles, **COUPER** le courant alimentant le moteur avant de vidanger la pompe.

2. Déposer le couvercle du préfiltre, puis souffler de l'air basse pression dans la tuyauterie pour en chasser toute l'eau. Si le couvercle a été serré exagérément ou s'il n'a pas été déposé depuis longtemps et que l'on ne peut pas le dévisser à la main, utiliser un levier ou une barre. Le dessus de ce couvercle comporte des pattes qui permettent de le desserrer à l'aide d'un levier ou d'une barre. Ne jamais utiliser d'air haute pression pour purger le système.
3. Après avoir procédé à la vidange et pour que l'eau ne pénètre pas dans les tuyaux, les boucher.
4. Pour que la pompe ne gèle pas, déposer le couvercle du préfiltre, puis vidanger le corps de la pompe en déposant les deux bouchons prévus à cet effet. Bien nettoyer la pompe, puis reposer son couvercle.

**AVIS** Ne serrer le couvercle de la pompe qu'à la main (pas de clé)! Si la pompe n'est pas fixée sur un socle, faire bien attention de ne pas briser la tuyauterie qui y est branchée.

5. S'assurer de garder le moteur au sec et bien couvert.

## Remise en service de l'équipement après l'hiver

1. Déposer toutes les protections temporaires placées autour du système avant l'hiver.
2. Suivre les instructions du fabricant du filtre pour remettre le filtre en service.
3. Inspecter tout le câblage électrique pour s'assurer qu'il n'a pas été endommagé ni détérioré pendant la période d'arrêt. Au besoin, demander à un technicien qualifié de réparer ou de remplacer le câblage.
4. Inspecter et resserrer tous les raccords étanches.
5. Ouvrir les robinets des tuyaux d'aspiration et de refoulement.
6. Déposer tous les bouchons posés pour l'hiver sur tous les tuyaux du système.
7. Vider tout l'antigel du système.
8. Fermer tous les robinets de vidange et reposer tous les bouchons de vidange sur les tuyaux du système.
9. Amorcer la pompe conformément aux instructions de la *Amorçage de la pompe*.

## Entretien

La pompe ne doit être entretenue que par du personnel qualifié. Pour obtenir de meilleurs résultats, n'utiliser que pièces d'origine. Ne pas oublier d'amorcer la pompe avant de la démarrer. Avant de déposer le couvercle du filtre collecteur :

1. **Arrêter la pompe.**
2. **Fermer les robinets-vannes** des tuyaux d'aspiration et de refoulement.
3. **Dissiper toute la pression** dans la pompe et les tuyauteries.

**⚠ AVERTISSEMENT Risque de choc électrique.** Pouvant causer l'électrocution, des brûlures, voire la mort. Avant d'intervenir sur la pompe ou sur le moteur, couper le courant qui les alimente.

À part la lubrification du joint torique du couvercle du filtre collecteur de la pompe, aucune lubrification ni aucun entretien périodiques ne sont requis, si ce n'est un entretien normal et un nettoyage périodiques du filtre collecteur.

Si le joint de l'arbre est usé ou endommagé, le réparer en procédant comme suit :

## Démontage de la pompe et dépose de l'ancien joint

Couper le courant alimentant le moteur de la pompe. S'assurer que les robinets-vannes des tuyaux d'aspiration et de refoulement sont fermés avant de procéder à toute intervention. Avant toute intervention, dissiper toute la pression en ouvrant les mises à l'air libre.

1. Vider la pompe en déposant les bouchons qui se trouvent à la partie inférieure de son corps et du corps du filtre collecteur.
2. S'assurer qu'il n'y ait plus de pression dans le corps du filtre collecteur; déposer le couvercle (en le tournant à gauche).
3. Déposer les six (6) écrous, rondelles-freins et rondelles plates de fixation de la plaque d'étanchéité sur le corps de la pompe. Éloigner la plaque d'étanchéité et le moteur du corps de la pompe. (Il faudra peut-être utiliser avec PRUDENCE un tournevis pour séparer le corps de la pompe de la plaque d'étanchéité.)
4. Déposer les sept (7) vis et rondelles de fixation du diffuseur sur la plaque d'étanchéité. Déposer le diffuseur.

**⚠ AVERTISSEMENT Tension dangereuse.** La tension du condensateur peut être dangereuse. Pour décharger le condensateur du moteur, tenir un tournevis à manche isolé PAR LE MANCHE et mettre en court-circuit les bornes du condensateur. Ne pas toucher la lame métallique du tournevis ni les bornes du condensateur. En cas de doute, consulter un électricien qualifié.

5. Déposer le carter du moteur. En faisant bien attention de ne pas toucher les bornes du condensateur, desserrer le collier du condensateur, puis éloigner le condensateur.
6. Immobiliser l'arbre du moteur en posant une clé à fourche de 7/16 de pouce sur les méplats de l'arbre.
7. Dévisser l'impulseur de l'arbre (en le tournant à gauche en lorsqu'on y fait face).
8. Déposer les quatre vis de fixation de la plaque d'étanchéité sur le moteur.
9. Mettre la plaque d'étanchéité sur une surface plane en orientant sa face le bas, puis chasser le siège en céramique (se reporter à la Figure 5).

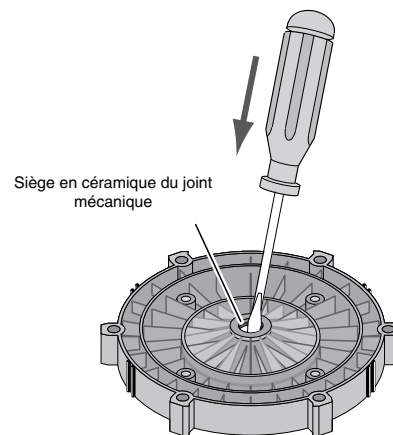


Figure 5

10. Déposer le déflecteur de l'arbre du moteur et l'inspecter à la recherche de dommages ou d'abrasion.
11. Nettoyer la cavité de la plaque d'étanchéité, puis nettoyer l'arbre du moteur.

### Remontage de la pompe et pose d'un joint neuf

1. Le siège en céramique doit être propre et débarrassé de toute la saleté, graisse et poussière, etc. Humecter le bord extérieur du siège avec un peu de détergent liquide; pousser fermement avec les doigts le siège en céramique dans la cavité de la plaque d'étanchéité et le faire reposer d'équerre (se reporter à la Figure 6).

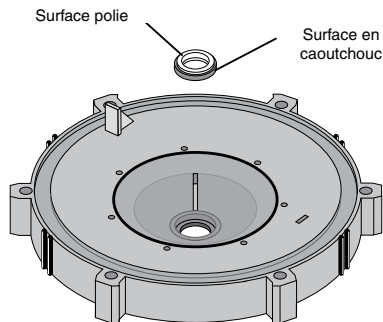


Figure 6

2. Si le joint en céramique ne se met pas bien en place, le déposer, orienter son endroit vers le haut sur un établi, puis renetter la cavité. On doit maintenant être en mesure de remettre le joint en céramique en place.

3. Si le siège ne peut toujours pas être positionné adéquatement, poser une rondelle en carton sur la surface polie du joint, puis l'enfoncer à l'aide d'un morceau de tuyau standard de 19 mm (3/4 de pouce).

**AVIS** Faire bien attention de ne pas rayer ni marquer la surface polie du joint, sinon le joint fuira.

4. Reposer le déflecteur sur l'extrémité de l'arbre du moteur de façon que le manchon de l'impulseur le pousse en position. Si le déflecteur montre des signes d'usure ou de dommages, le remplacer.
5. Reposer la plaque d'étanchéité sur le moteur. Serrer les boulons au couple de 62 à 92 kg-cm (de 60 à 80 lb-po).
6. Appliquer un peu de détergent liquide sur le diamètre intérieur de la moitié rotative du joint.
7. Glisser la partie rotative du joint, sa surface polie en carbone vers l'extérieur, par-dessus le manchon de l'impulseur, jusqu'à ce que la bague d'entraînement en caoutchouc vienne en butée avec l'arrière de l'impulseur.

**AVIS** Faire bien attention de ne pas entailler ni rayer la surface polie du joint, sinon le joint fuira.

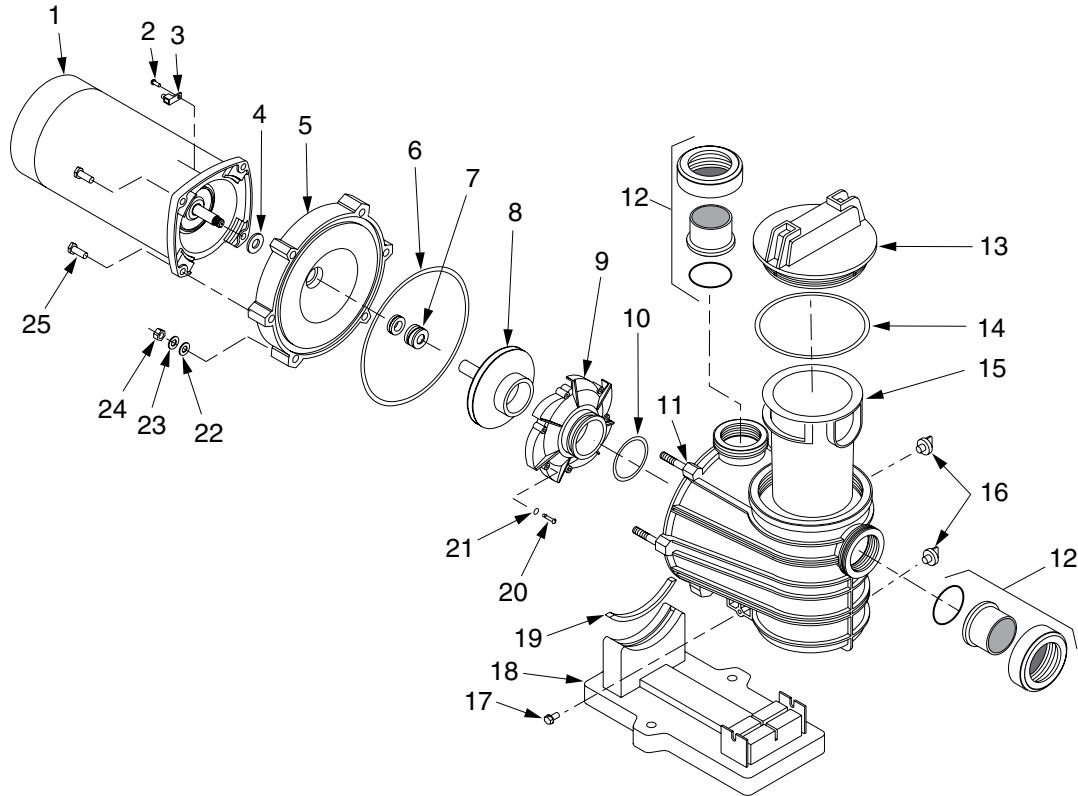
8. Visser l'impulseur sur l'arbre (en le tournant à droite); ceci permettra de positionner automatiquement le joint dans la plaque d'étanchéité.
9. Poser le diffuseur sur la plaque d'étanchéité et serrer les vis au couple de 11,2 à 16,1 km-cm (de 10 à 14 lb-po).
10. Remonter le moteur et la plaque d'étanchéité sur le corps de la pompe avec les écrous, les rondelles plates et les rondelles-freins. Serrer les écrous au couple de 138 à 150 kg-cm (de 120 à 130 lb-po).
11. Amorcer la pompe conformément aux instructions de la *Amorçage de la pompe*.



**⚠ AVERTISSEMENT** **Risque de secousses électriques.** Pouvant causer des brûlures, voire la mort.

- Avant d'intervenir sur la pompe ou sur le moteur, couper le courant qui les alimente.
- Lire et bien comprendre toutes les consignes de sécurité et les instructions de fonctionnement contenues dans cette Notice avant d'intervenir sur la pompe!
- Seul du personnel qualifié doit procéder aux contrôles électriques du moteur de la pompe!

Problème	Solution
Panne de la pompe; débit ou pression de refoulement réduits.	
Prises d'air des tuyaux d'aspiration et/ou perte d'amorçage de la pompe :	La pompe doit être amorcée; s'assurer que la volute et que le filtre collecteur de la pompe sont pleins d'eau. Se reporter aux instructions d'amorçage de la pompe de la <i>Amorçage de la pompe</i> .
	S'assurer qu'il n'y a pas de prise d'air dans les tuyaux d'aspiration.
	S'assurer que l'orifice du tuyau d'aspiration se trouve bien sous le niveau de l'eau pour que la pompe n'aspire pas d'air.
	Si le joint du filtre collecteur est défectueux, le remplacer.
	S'assurer que la pompe n'essaie pas de refouler l'eau à une hauteur supérieure de 3 mètres (10 pieds).
L'impulseur, le filtre collecteur ou les tuyaux sont bouchés; l'impulseur est usé :	S'assurer que le filtre collecteur de la pompe n'est pas bouché; s'il est bouché, le nettoyer.
	S'assurer que l'impulseur n'est pas bouché (se reporter aux opérations 1. à 7 sous la rubrique « Dépose de l'ancien joint » s'assurer que l'impulseur n'est pas bouché; pour le remontage, suivre les opérations 7 à 11 sous la rubrique « Pose d'un joint neuf ».
	L'impulseur et le diffuseur sont peut-être usés. Dans ce cas, commander des pièces de rechange en se reportant à la liste des <i>Pièces de rechange</i> .
Électricité :	
Il se peut que la pompe fonctionne trop lentement.	Dans ce cas, vérifier la tension aux bornes du moteur et côté compteur électrique pendant que la pompe fonctionne. Si la tension est basse, se reporter aux instructions de câblage ou consulter la compagnie fournissant l'électricité. S'assurer qu'il n'y a pas de connexions desserrées.
La pompe est peut-être trop chaude.	Vérifier la tension de ligne; si elle est inférieure à 90 % ou supérieure à 110 % de la tension nominale, s'adresser à un électricien qualifié.
	Augmenter la circulation de l'air.
	Abaisser la température ambiante. Reserrer toutes les connexions desserrées.
Bruits et problèmes mécaniques	Si les tuyaux d'aspiration et de refoulement ne sont pas adéquatement supportés, la pompe et les tuyauteries seront soumises à des contraintes. Se reporter à la rubrique « Installation ».
	Ne pas fixer la pompe sur une plate-forme en bois! La fixer en toute sécurité sur une plate-forme en béton de façon qu'elle fonctionne le plus silencieusement possible.



Ref.	Désignation	Qté.	FPT20510 • 1 ch	FPT20515 • 1-1/2 ch
1	Moteur monophasé, 230 volts, 2-vitesses	1	62001-1117 PKG	62001-1116 PKG
2	Vis n° 10-32 x 1/2 pouce	1		U30-692SS
3	Patte de liaison électrique	1		U17-568
4	Défecteur	1		17351-0009
5	Plaque d'étanchéité	1		C3-184P
6	Joint torique de la plaque d'étanchéité	1		U9-373
7	Joint de l'arbre	1		37400-0027S
8	Impulseur*	1	C105-236P	C105-236B
9	Diffuseur	1	C1-270PB	C1-270PC
10	Joint torique du diffuseur	1		U9-374
11	Corps de la pompe et du filtre collecteur (seulement)	1		C76-58P
12	Trousse de demi-raccords unions coulissants de 2 x 1 1/2 po (y compris 2 adaptateurs, 2 bagues et 2 joints toriques)	1		77703-0101
13	Couvercle du filtre collecteur*	1		C3-185P
14	Joint torique du couvercle du filtre collecteur	1		U9-375
15	Filtre collecteur	1		C8-58P
16	Bouchon de vidange	2		U178-920P
17	Vis de fixation de 5/16-14 x 5/8 de pouce	2		U30-919SS
18	Socle	1		C4-77P
19	Support en caoutchouc du moteur	1		C35-45
20	Vis à tête ronde n° 8-32 x 7/8 de pouce	7		U30-542SS
21	Rondelle-frein n° 8 à denture extérieure	7		U43-21SS
22	Rondelle plate de 3/8 de pouce	6		U43-62SS
23	Rondelle-frein de 3/8 de pouce	6		U43-12SS
24	Écrou à six pans de 3/8-16	6		U36-38SS
25	Vis à chapeau de 3/8-16 x 1 pouce.	4		U30-74SS

\* Dans le cas des installations dans lesquelles on utilise du désinfectant biguanide, commander le n° de pièce C3-185P3.

## Conserver le reçu de caisse original aux fins d'admissibilité à la garantie

### Garantie limitée

La présente garantie limitée est entrée en vigueur le 1er juin 2011 et remplace toute garantie non datée ou antérieure à cette date. FLOTEC garantit à l'acheteur/au consommateur d'origine (l'Acheteur) que ses produits sont exempts de tout vice de matériau et de fabrication. Cette garantie est valable pendant douze (12) mois à partir de la date d'achat d'origine. Si, dans les douze (12) mois suivant la date d'achat d'origine, un produit se révèle défectueux, il doit être réparé ou remplacé, à la discrétion de FLOTEC, selon les modalités énoncées aux présentes. Il est à noter que la présente garantie limitée s'applique aux défauts de fabrication seulement. Elle ne couvre pas l'usure normale. Tout dispositif mécanique doit faire l'objet d'un entretien périodique pour veiller à son bon fonctionnement. La présente garantie limitée ne couvre pas les réparations attribuables à l'usure normale d'une pièce ou de l'équipement.

Le reçu de caisse original et l'étiquette d'information sur la garantie sont nécessaires pour déterminer l'admissibilité à la garantie. Cette dernière est établie en fonction de la date d'achat de l'article et non de la date de son remplacement sous garantie. La garantie se limite à la réparation ou au remplacement de l'article original seulement et ne couvre pas l'article de rechange (c.-à-d. un article remplacé sous garantie par achat). L'Acheteur assume les frais de retrait, d'installation, de transport et tous les frais accessoires.

Pour obtenir des pièces ou de l'aide technique, NE PAS retourner le produit au détaillant. Contacter le service à la clientèle de FLOTEC au 1 800 365-6832.

Toute demande de règlement en vertu de la présente garantie doit être faite en retournant l'article (à l'exception des pompes de puisard; voir la marche à suivre ci-dessous) au magasin où celui-ci a été acheté ou à l'usine dès qu'une défectuosité est soupçonnée. FLOTEC prendra les mesures correctives nécessaires dans un délai rapide et raisonnable. Aucune demande de réparation ne sera acceptée plus de 30 jours après l'expiration de la garantie.

La garantie ne peut être cédée et ne s'applique pas aux produits utilisés à des fins commerciales ou de location.

### Pompes d'eaux d'égout

NE PAS RETOURNER une pompe d'eaux d'égout (qui a été installée) au détaillant. Communiquer avec le service à la clientèle de FLOTEC. Les pompes d'eaux d'égout qui ont été utilisées, puis retirées présentent un risque de contamination.

En cas de défaillance de la pompe d'eaux d'égout :

- Porter des gants en caoutchouc pour manipuler la pompe.
- À des fins de garantie, retourner l'étiquette figurant sur le cordon de la pompe et l'original du reçu au détaillant.
- Mettre la pompe au rebut conformément à la réglementation locale.

### Exceptions à la garantie limitée de douze (12) mois

Produit	Période de garantie
FPOF360AC, FPOFDC	90 jours
FPOS1775A, FPOS1790PCA, FPOS2400A, FPOS2450A, FPOS4100X, FP2800DCC, FPCP-20ULST, FPPSS3000, FPSC2150A, FPSC3150A, FPSC3350A	2 ans
Pompes de puits submersibles de 10,2 cm (4 po), FPOS3200A, FPOS3250A, FPOS6000A, FPSC1725X, FPSC2200A, FPSC2250A, FPSE3601A, FPPSS5000	3 ans
Réservoir préchargé de système d'eau (gamme FP7100), E100ELT, E3305TLT, E3375TLT, E5005TLTT, E50TLT, E50VLT, E75STVT, E75VLT, FPSC3200A, FPSC3250A, FPSC4550A	5 ans

### Modalités générales et restriction des recours

L'Acheteur doit payer tous les frais de main d'œuvre et de transport nécessaires au remplacement du produit garanti couvert par cette garantie. Cette garantie ne s'applique pas à ce qui suit : (1) Les catastrophes naturelles; (2) Les produits qui, selon FLOTEC, ont fait l'objet d'une négligence, d'une utilisation abusive, d'un accident, d'une mauvaise application ou d'une altération; (3) Les défaillances dues à une installation, une utilisation, un entretien ou un entreposage inappropriés; (4) Une application, une utilisation ou une réparation atypique ou non approuvée; (5) Les défaillances causées par la corrosion, la rouille ou d'autres matériaux étrangers au système, ou par une utilisation à une pression supérieure au maximum recommandé.

Cette garantie établit la responsabilité unique de FLOTEC et le recours exclusif de l'Acheteur en cas de produit défectueux.

FLOTEC NE POURRA TRE TENUE RESPONSABLE DE TOUT DOMMAGE INDIRECT OU CONSÉCUTIF QUEL QU'IL SOIT.

LA GARANTIE LIMITÉE SUSMENTIONNÉE EST EXCLUSIVE ET REMPLACE TOUTES LES AUTRES GARANTIES EXPRESSES ET TACITES, Y COMPRIS, MAIS SANS S'Y LIMITER, LES GARANTIES DE QUALITÉ MARCHANDE ET D'ADAPTATION À UN USAGE PARTICULIER. LA GARANTIE LIMITÉE SUSMENTIONNÉE NE DOIT PAS ÊTRE PROLONGÉE AU-DELÀ DE LA DURÉE PRÉVUE AUX PRÉSENTES.

Certains États ne permettent pas l'exclusion ou la limitation des dommages indirects ou consécutifs, ni les limitations relatives à la durée des garanties implicites. Par conséquent, il se peut que les limitations ou les exclusions ci-dessus ne s'appliquent pas. Cette garantie procure des droits juridiques précis à l'Acheteur. Cependant, il est possible de bénéficier d'autres droits, qui varient selon l'État.

**FLOTEC • 293 Wright Street • Delavan, WI U.S.A. 53115**

**Téléphone : 1 800 365-6832 • Télécopieur : 1 800 526-3757 • [flotecwater.com](http://flotecwater.com)**

Avertissements et consignes de sécurité pour ces pompes sont disponibles à :

<http://www.pentairpool.com/pool-owner/safety-warning/>.

**Pour les services des pièces ou d'assistance, appeler le service à la clientèle Flotec en composant le 1(800) 365-6832**

## Instrucciones importantes de seguridad

**Guarde estas instrucciones** - Este manual contiene instrucciones importantes que se deben seguir durante la instalación y el mantenimiento del bombas de sumidero.

**⚠** Este es un símbolo de alerta sobre la seguridad. Cuando vea este símbolo en su bomba o en este manual, busque para ver si hay alguna de las siguientes palabras de señal y esté alerta a la posibilidad de lesiones personales.

**⚠ PELIGRO** indica un riesgo que, de no evitarse, *provocará* la muerte o lesiones de gravedad.

**⚠ ADVERTENCIA** indica un riesgo que, de no evitarse, *podría provocar* la muerte o lesiones de gravedad.

**⚠ PRECAUCIÓN** indica un riesgo que, de no evitarse, *podría provocar* lesiones leves o moderadas.

**AVISO** hace referencia a una práctica no relacionada con una lesión física.

**Lea y siga cuidadosamente todas las instrucciones de seguridad en este manual y en la bomba.**

Mantenga las etiquetas de seguridad en buenas condiciones. Reemplace las etiquetas de seguridad faltantes o dañadas.

### Proposición 65 de California Advertencia

**⚠ ADVERTENCIA** Este producto y los accesorios relacionados contienen sustancias químicas declaradas cancerígenas, causantes de malformaciones y otros defectos congénitos por el Estado de California.

**⚠ PELIGRO** La falta de cumplimiento con las instrucciones y advertencias puede resultar en lesiones corporales graves o muerte. Esta bomba debe ser instalada y reparada sólo por profesionales competentes en el servicio de piscinas. Es importante que los instaladores, operadores de piscinas y propietarios lean estas advertencias y todas las instrucciones en el manual del propietario antes de usar esta bomba. Estas advertencias y el manual del propietario deben quedar en manos del propietario de la piscina.

Para obtener información sobre la ley sobre la seguridad de spas y piscinas, Virginia Graeme Baker Pool and Spa Safety Act, comuníquese con la Consumer Product Safety Commission,

<b>⚠ PELIGRO</b>	<p><b>Aspiración peligrosa. Puede atrapar el cabello o el cuerpo, provocando lesiones graves o muerte.</b></p> <ul style="list-style-type: none"> <li>• No bloquear la aspiración.</li> <li>• Un adulto debe supervisar a los niños pequeños en todo momento.</li> </ul>
	

llamando al (301) 504-7908, o visite [www.cpsc.gov](http://www.cpsc.gov).

**⚠ PELIGRO** Riesgo de quedar atrapado por la aspiración. Siempre desconecte toda la alimentación eléctrica a la bomba de la piscina antes de instalar la tapadera o de trabajar en cualquier boca de salida de aspiración.

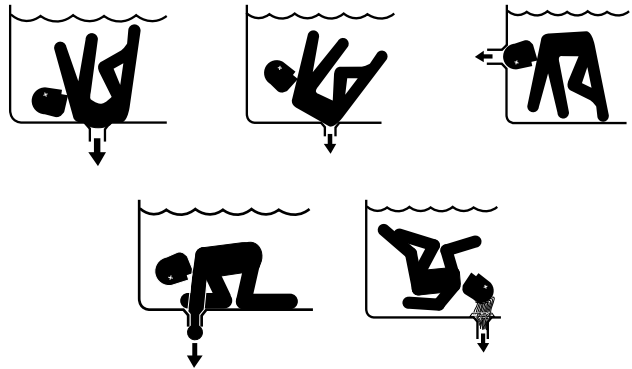
- Esta bomba produce altos niveles de aspiración y crea una aspiración de vacío fuerte en el colector de drenaje en el fondo de la piscina o spa. Esta aspiración es tan fuerte que

puede atrapar a personas adultas o a niños debajo del agua si están demasiado cerca del drenaje de la piscina o spa, o de una tapadera o rejilla de drenaje suelta o rota.

- ¡Es importante mantenerse alejado del colector de drenaje y de todas las bocas de salida y orificios de aspiración!

**⚠ PELIGRO** Riesgo de quedar atrapado por la aspiración. El uso de tapaderas no aprobadas o el permitir que se use la piscina o spa cuando falten tapaderas, o estas estén rajadas o rotas, puede resultar en el atrapamiento de un miembro o de todo el cuerpo, enredar el cabello, atrapar o desentrañar el cuerpo de una persona y/o provocar la muerte.

La aspiración en el drenaje o en la boca de salida de la piscina o spa puede provocar:



**Atrapamiento de manos o piernas:** Cuando una mano o pierna es aspirada o penetra en una abertura, lo cual resulta en una traba mecánica o una hinchazón. Este peligro existe cuando a un drenaje le falta su tapadera, o cuando la tapadera está rota, suelta, rajada o no se ha fijado debidamente.

**Enredo del cabello:** Cuando el cabello se enreda o se anuda en la tapadera del drenaje, atrapando al nadador debajo del agua. Este peligro existe cuando la clasificación de circulación de la tapadera es demasiado baja para la bomba o bombas.

**Atrapamiento del cuerpo:** Cuando una porción del cuerpo se adhiere a la tapadera del drenaje, atrapando al nadador debajo del agua. Este peligro existe cuando le falta la tapadera al drenaje, o cuando la tapadera está rota o la clasificación de circulación de la tapadera es demasiado baja para la bomba o bombas.

**Evisceración / Destripamiento:** Cuando una persona se sienta en la boca de salida abierta de una piscina (especialmente en una piscina infantil) o spa y la aspiración se aplica directamente a los intestinos, provocando daños intestinales graves. Este peligro existe cuando le falta la tapadera al drenaje, o cuando la tapadera está rota, suelta, rajada o no se ha fijado debidamente.

**Accidentes mecánicos:** Cuando joyas, trajes de baño, decoraciones del cabello, los dedos de la mano, los dedos del pie o los nudillos quedan atrapados en la abertura de un orificio o de la tapadera de un drenaje. Este peligro existe cuando le falta la tapadera al drenaje, o cuando la tapadera está rota, suelta, rajada o no se ha fijado debidamente.

**AVISO** Toda la plomería de aspiración debe ser instalada conforme a las normas nacionales y locales más recientes para piscinas de natación, spas y jacuzzis, incluyendo las normas de la NSPI y las directrices de la CPSC.

**⚠️ ADVERTENCIA** Para minimizar el peligro de lesiones debido a accidentes de atrapamiento por aspiración:

- Las piscinas y spas deben utilizar dos drenajes por bomba como mínimo.
- Para cada drenaje, se debe instalar y fijar debidamente una tapadera de aspiración contra atrapamiento aprobada por la norma A112.19.8 de ANSI/ASME.
- Cada tapadera de aspiración debe ser instalada a tres (3) pies de distancia entre sí, como mínimo, medidos del punto más cercano al punto más cercano.
- Se deben inspeccionar todas las tapaderas periódicamente, para verificar que no estén rajadas, averiadas y que no tengan un desgaste prematuro.
- Si una tapadera está floja, rajada, averiada, rota o ausente, se deberá cerrar la piscina o el spa inmediatamente, apagar la bomba, colocar un aviso y mantener la piscina o el spa cerrados hasta que se haya instalado debidamente una tapadera con la certificación adecuada.
- Reemplace las tapaderas del drenaje según se requiera. Las tapaderas del drenaje se deterioran con el tiempo debido a que están expuestas a la luz del sol, a los productos químicos de la piscina y a los efectos del clima.
- Evite que el cabello, los miembros o todo el cuerpo estén próximos a una tapadera de aspiración, a un drenaje o a una boca de salida de la piscina.
- Desactive todas las bocas de salida de aspiración o cambie su configuración a entradas de retorno de agua.

**⚠️ ADVERTENCIA** **Riesgo de daño.** Un interruptor de corte de emergencia, claramente rotulado, para la bomba de la piscina y la bomba de chorro del spa debe estar instalado en un lugar evidente, de fácil acceso, cerca de la piscina o del spa. Asegúrese de que los bañistas sepan en dónde se encuentra y cómo usarlo en caso de emergencia.

**⚠️ ADVERTENCIA** **Riesgo de daño.** Para reducir el peligro de lesiones, no permita que niños usen este producto a menos que estén bien supervisados en todo momento.

**⚠️ ADVERTENCIA** **Riesgo de choque eléctrico.** Puede provocar choque, quemadura o muerte. Se debe conectar sólo a un circuito derivado, protegido por un disyuntor de escape a tierra (GFCI). Comuníquese con un electricista competente si no puede verificar que el circuito está protegido por un GFCI. Esta unidad debe estar conectada sólo a un circuito de suministro que esté protegido por un disyuntor de escape a tierra (GFCI). Un interruptor GFCI de ese tipo deberá ser suministrado por el instalador y se deberá probar en forma rutinaria. Para probar el funcionamiento del GFCI, oprima el botón de prueba. El GFCI deberá interrumpir el suministro de energía. Oprima el botón de reposición y se restaurará el suministro de energía. Si el GFCI no funciona de esta manera, significa que está defectuoso. Si el GFCI interrumpe el suministro de energía a la bomba sin haber oprimido el botón de prueba, aún hay corriente a tierra, lo cual indica la posibilidad de un choque eléctrico. No use esta bomba. Desconéctela y haga que un representante de servicio competente corrija el problema antes de usarla.

**⚠️ PRECAUCIÓN** Esta bomba es para usar con piscinas de instalación permanente y también se puede usar con jacuzzis y spas, si así está marcado. No se debe usar con piscinas que se pueden guardar. Una piscina de instalación permanente está construida en o sobre el suelo o en un edificio de manera que no se puede dismantelar fácilmente para guardar. Una piscina que se puede guardar está construida de manera que se pueda dismantelar fácilmente para guardar y volver a armar para recuperar su integridad original.

**⚠️ ADVERTENCIA** **Riesgo de presión peligrosa.** Los sistemas de circulación de piscinas y spas operan a alta presión. Un aparato instalado o verificado incorrectamente puede fallar, provocando lesiones graves o daños materiales. Es importante leer y seguir las instrucciones del manual del propietario cuando se instalen y operen aparatos. Haga que un profesional de piscinas capacitado realice todas las pruebas de presión.

1. No conecte el sistema a un servicio de aguas municipales o de alta presión.
2. Use el equipo sólo en una instalación de piscina o spa.
3. El aire atrapado en el sistema puede provocar una explosión. VERIFIQUE que todo el aire haya salido del sistema antes de hacer funcionar o de hacer una prueba del aparato. Consulte la advertencia sobre presión peligrosa indicada más abajo. No use aire comprimido para limpiar, hacer pruebas o sanear el aparato para el invierno.

**Antes de realizar una prueba de presión, haga las siguientes verificaciones de seguridad:**

- Inspeccione todas las abrazaderas, los pernos, tapas y accesorios del sistema antes de realizar las pruebas.
- Libere todo el aire en el sistema antes de realizar las pruebas.
- Apriete las tapas de las trampas de la bomba a una torsión de 30 pies. lbs. (4.1 kg-m) para hacer las pruebas.
- La presión del agua para las pruebas debe ser menor que 25 PSI (7.5 kg/cm<sup>2</sup>).
- La temperatura del agua para las pruebas debe ser menor de 100°F (38° C).
- Limite las pruebas a 24 horas. Después de hacer una prueba, inspeccione el sistema visualmente para verificar que esté listo para la operación. Retire la tapa de la trampa y vuelva a ajustarla a mano solamente.

**AVISO** Estos parámetros de ensayo se aplicarán sólo a los modelos descritos en este documento. Para otros equipos, consulte al fabricante.

**⚠️ ADVERTENCIA** **Riesgo de presión peligrosa.** Aléjese de la bomba y del filtro durante el arranque. Los sistemas de circulación de piscinas y spas operan a alta presión. Cuando se repara una pieza del sistema de circulación (p. ej. aro de bloqueo, bomba, filtros, válvulas, etc.) puede entrar aire al sistema y quedar presurizado.



- El aire presurizado puede hacer que la tapa filtrante de la cubierta de la caja de la bomba se separe violentamente, lo cual puede resultar en lesiones personales graves o muerte.



- La tapa del tanque de filtración y la cubierta del colector deben estar debidamente fijadas para impedir una separación violenta.
- Aléjese de todo aparato del sistema de circulación cuando encienda o arranque la bomba.
- Antes de prestar servicio a los aparatos de piscinas y spas, observe y anote la presión del filtro. Asegúrese de que todos los controles estén configurados para garantizar que el sistema no arranque inesperadamente durante el servicio. Desconecte todo el suministro de energía a la bomba.
- Coloque la válvula manual de desahogo de aire del filtro en la posición abierta y espere que se descargue toda la presión en el sistema.
- Antes de encender el sistema, abra completamente la válvula manual de desahogo de aire y coloque todas las válvulas del sistema en la posición "abierto" para permitir que el agua corra libremente desde la piscina y el spa hacia la piscina o spa. Aléjese de todo aparato de piscina y spa y encienda la bomba.
- No cierre la válvula manual de desahogo de aire del filtro hasta que se haya descargado toda la presión de la válvula y aparezca un chorro firme de agua. Observe el manómetro del filtro y verifique que la presión no sea más alta de lo que era antes de realizar el servicio.

Advertencias e instrucciones de seguridad para estas bombas están disponibles en: <http://www.pentairpool.com/pool-owner/safety-warnings/>, o llamando al (800) 831-7133 para recibir copias gratuitas adicionales de estas instrucciones.

## Advertencias generales

- Todo los trabajos deben ser realizados por un profesional de piscinas competente y deben cumplir con las normas nacionales, estatales y locales.
- Instale el sistema proporcionando un drenaje para el compartimiento de los componentes eléctricos.
- Estas instrucciones contienen información para una variedad de modelos de bombas, y por lo tanto, es posible que ciertas instrucciones no correspondan a un modelo específico. Todos los modelos están diseñados para uso en piscinas de natación. La bomba funcionará correctamente sólo si es del tamaño correcto para la aplicación específica y si se ha instalado debidamente.

**⚠ ADVERTENCIA** **Riesgo de daño.** Las bombas del tamaño incorrecto o mal instaladas o usadas en aplicaciones que no sean para las cuales se ha diseñado la bomba, pueden resultar en lesiones personales graves o muerte. Estos peligros pueden incluir, pero no se limitan a choque eléctrico, incendio, inundación, atrapamiento por aspiración o lesiones graves o daños materiales provocados por una falla estructural de la bomba o de otro componente del sistema.

- ⚠ PRECAUCIÓN** Los controles eléctricos, tales como los interruptores de encender/apagar, los temporizadores y los sistemas de control, etc. debe ser instalados correctamente para permitir la operación (encender, apagar o prestar servicio) de cualquier bomba o filtro sin necesidad de que el usuario coloque una parte de su cuerpo sobre o cerca de la tapa del colector de la bomba o de la tapa del filtro. Tal instalación debe permitir que el usuario se pare alejado del filtro y de la bomba mientras se enciende, apaga o presta servicio al sistema.
- Nunca abra el interior del recinto del motor de accionamiento, ya que contiene una batería de condensadores con una carga de 230 V de CA aún cuando no haya suministro de energía a la unidad.
  - La bomba no es sumergible.
  - La bomba tiene capacidad de manejar caudales altos; es importante tener cuidado durante la instalación y la programación para limitar el potencial de rendimiento de la bomba con un sistema viejo o cuestionable.
  - Los requerimientos de las normas para conexiones eléctricas difieren de un estado a otro. Instale el aparato conforme al Código Eléctrico Nacional y a todas las normas y reglamentaciones locales que correspondan.
  - Antes de prestar servicio a la bomba, oprima el botón de parada "Stop" y desconecte el cable de comunicación, luego desconecte ("OFF") la bomba, desconectando el circuito principal a la bomba.
  - Este aparato no ha sido diseñado para ser usado por personas (incluyendo niños) con capacidades físicas, sensoriales o mentales reducidas, o sin experiencia y conocimiento, a menos que hayan recibido supervisión o instrucción sobre el uso del aparato por parte de una persona responsable de su seguridad.

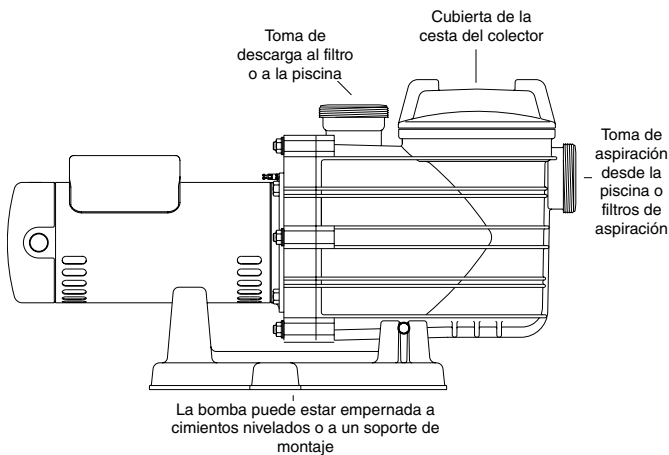
**Cumple con los requisitos de eficacia energética:** Esta bomba cumple con las normas de eficiencia energética cuando se instala con un controlador compatible programado por defecto a baja velocidad después de realizar cualquier conmutación de alta velocidad. Una vez instalado y programado, la bomba y el controlador compatible cumplir con los requisitos de California Título 20, 24 y ANSI / APSP / CPI 15 y 2011, Estándar para la piscina y la eficiencia energética residencial spa.

Flotec® y Pentair Water Pool and Spa® es una marca de comercio registrada de Pentair, Inc. y/o sus empresas afiliadas en los Estados Unidos y/o en otros países. A menos que se haya indicado lo contrario, los nombres y las marcas de otros que puedan usarse en este documento no se usan para indicar una afiliación o un respaldo entre los propietarios de esos nombres y marcas y Pentair, Inc. Esos nombres y marcas puede ser las marcas de comercio o marcas registradas de esas partes o de otros.

**AVISO** Las roscas de las tomas son: Interna - 2" NPT para conexión directa a la tubería. Externa - 3-1/4" trapezoidal. Para conexiones de tuberías con desconexión rápida, use el Juego de semi-uniión corrediza de 1-1/2" incluido con la bomba. La bomba y los cables deben ser instalados solamente por personal competente y certificado.

**La base de la bomba debe:**

- Estar ubicada lejos de líquidos corrosivos o inflamables.
- Tener suficiente ventilación para mantener la temperatura del aire por debajo de la temperatura ambiente máxima nominal (Máx. Amb.) indicada en la placa de fábrica del motor. Si esta bomba se instala en un recinto/estación de bombeo, el recinto debe tener ventilación y circulación de aire adecuadas para mantener la temperatura en el recinto a la temperatura ambiente nominal del motor o por debajo de la misma, siempre que la bomba esté en marcha.
- Estar firme - nivelada - rígida y sin vibraciones. (Para reducir las vibraciones y la tensión sobre la tubería, se recomienda empernar la bomba a la base)
- Permitir que la altura de la entrada de aspiración de la bomba esté tan cerca del nivel del agua como sea posible. La bomba no levantará agua más de 10 pies (3 metros) de altura.
- Permitir el uso de una tubería de aspiración corta y directa (para reducir las pérdidas por fricción).
- Permitir el uso de válvulas de compuerta en la tubería de aspiración y de descarga.
- Tener un drenaje de piso adecuado para impedir inundaciones.
- Estar protegida contra el exceso de humedad.
- Permitir un acceso adecuado para prestar servicio a la bomba y a la tubería.



**Figura 1**

**ADVERTENCIA Riesgo de incendio y quemaduras.** Puede provocar lesiones graves, daños materiales o muerte. Los motores funcionan a temperaturas altas. Para reducir el Riesgo de incendio, no permita que hojas, escombros o sustancias extrañas se acumulen alrededor del motor de la bomba. Para evitar quemaduras cuando se manipule el motor, se debe dejar enfriar por 20 minutos antes de tratar de trabajar en el mismo.

**AVISO** Cuando conecte una tubería fileteada directamente a la bomba, use una cinta para juntas fileteadas de tuberías de teflón para sellar las conexiones. No use pasta lubricante porque provoca rajaduras en ciertos plásticos y puede dañar los componentes del sistema de tuberías.

Cuando conecte la tubería a la bomba con una semi-uniión, use cinta de teflón entre la tubería y el adaptador de la unión. El collarín entre la unión y la bomba debe ensamblarse en seco y se debe ajustar a mano.

**AVISO** Las conexiones de aspiración y descarga de la bomba tienen topos de rosca moldeados. NO trate de atornillar la tubería más allá de esos topos.

**Instrucciones para la cinta para juntas fileteadas:**

- Use sólo accesorios de tubería de PVC nuevos o limpios.
- Envuelva las roscas macho de la tubería con una o dos capas de cinta de teflón. Cubra toda la porción fileteada de la tubería.
- ¡No apriete demasiado ni apriete más allá del tope de rosca en la toma de la bomba!
- Si hay fugas, retire la tubería, limpie la cinta vieja, vuelva a envolverla con una o dos capas adicionales de cinta y complete la conexión.

**AVISO** ¡Provea soporte para toda la tubería que se conecte a la bomba!

**Tubería**

Use al menos una tubería de 1-1/2" (38 mm) (use una tubería de 2" (51 mm), si es posible). Aumente el tamaño si necesita tubería para un trayecto largo. Cuando use una tubería de 1-1/2", conecte la bomba con un adaptador reductor de 1-1/2" a 2" (38 a 51 mm) (incluido).

Para evitar tensión en la bomba, provea soporte para las tuberías de aspiración y de descarga independientemente. Coloque estos soportes cerca de la bomba.

Para evitar tensión provocada por una brecha en la última conexión, comience toda la tubería a partir de la bomba y haga correr la tubería desde la bomba hacia afuera.

Para evitar la formación de bolsas de aire, incline la tubería de aspiración ligeramente hacia arriba, hacia la bomba.

**AVISO** Para evitar inundaciones cuando se retire la bomba para prestarle servicio, todos los sistemas de aspiración inundados deben tener válvulas de compuerta en las tuberías de aspiración y descarga.

## Requerimientos de aspiración de las bombas de piscinas

⚠
PELIGRO



**Aspiración peligrosa. Puede atrapar el cabello o el cuerpo, provocando lesiones graves o muerte.**

- No bloquear la aspiración.
- Un adulto debe supervisar a los niños pequeños en todo momento.

La aspiración de la bomba es peligrosa y puede atrapar y ahogar o desentrañar a los bañistas. No use ni opere piscinas de natación, spas o jacuzzis si falta la tapadera de una boca de salida de aspiración o si está rota o suelta. Siga las directrices que aparecen a continuación para la instalación de la bomba, las cuales minimizan el peligro para los usuarios de piscinas, spas y jacuzzis.

### Protección contra atrapamiento

El sistema de aspiración de la bomba debe proporcionar una protección contra el peligro de atrapamiento por aspiración o atrapamiento/enredo del cabello.

### Tapaderas de la boca de salida de aspiración

Es necesario mantener todas las tapaderas de las bocas de salida de aspiración. Estas se deben reemplazar si están rajadas, rotas o ausentes.

Ver la sección de *Pruebas y Certificación* para los requerimientos de certificación de las tapaderas de las bocas de salida

Todas las bocas de salida de aspiración deben estar debidamente instaladas, con sus tapaderas atornilladas en su lugar.

### Bocas de salida de aspiración por bomba

Se deben proveer al menos dos colectores de drenaje equilibrados hidráulicamente, con tapaderas, como bocas de salida de

aspiración para la línea de aspiración de cada bomba circulante (ver la Figura 2). Los centros de los colectores de drenaje (bocas de salida de aspiración) en cualquier línea de aspiración deben estar al menos a tres pies de distancia.

El sistema debe estar construido de tal manera que no pueda funcionar si la bomba extrae agua de solamente un colector de drenaje (es decir, debe haber al menos dos colectores de drenaje conectados a la bomba siempre que esté en marcha - ver la Figura 2). Sin embargo, si dos colectores de drenaje corren hacia una sola línea de aspiración, esa línea de aspiración deberá estar equipada con una válvula que bloqueará ambos colectores de drenaje de la bomba.

Se puede conectar más de una bomba a una línea de aspiración singular siempre que se cumplan con los requerimientos arriba indicados.

### Velocidad del agua

La máxima velocidad del agua a través del accesorio o de la cubierta de aspiración para una boca de salida de aspiración, debe ser de 1.5 pies por segundo, a menos que la boca de salida cumpla con la especificación más reciente de ASME/ANSI de *Suction Fittings For Use in Swimming Pools, Spas, Hot Tubs, and Whirlpool Bathtub Applications*. En todo caso, no se debe sobrepasar el caudal máximo designado para el accesorio de aspiración.

Si el 100% del flujo de la bomba viene desde el sistema del colector de drenaje, la velocidad máxima del agua en el sistema hidráulico de aspiración de la bomba debe ser de seis pies por segundo o menos, aunque un colector de drenaje (boca de salida de aspiración) esté completamente bloqueado. El flujo a través del (de los) colector(es) de drenaje restante(s) debe cumplir con la especificación más reciente de ASME/ANSI de *Suction Fittings For Use in Swimming Pools, Spas, Hot Tubs, and Whirlpool Bathtub Application*.

### Pruebas y certificación

Las tapaderas de las bocas de salida de aspiración deben haber pasado pruebas en un laboratorio de pruebas reconocido a nivel nacional que las haya encontrado conformes a las especificaciones más recientes de ASME/ANSI de *Suction Fittings For Use in Swimming Pools, Spas, Hot Tubs, and Whirlpool Bathtub Application*.

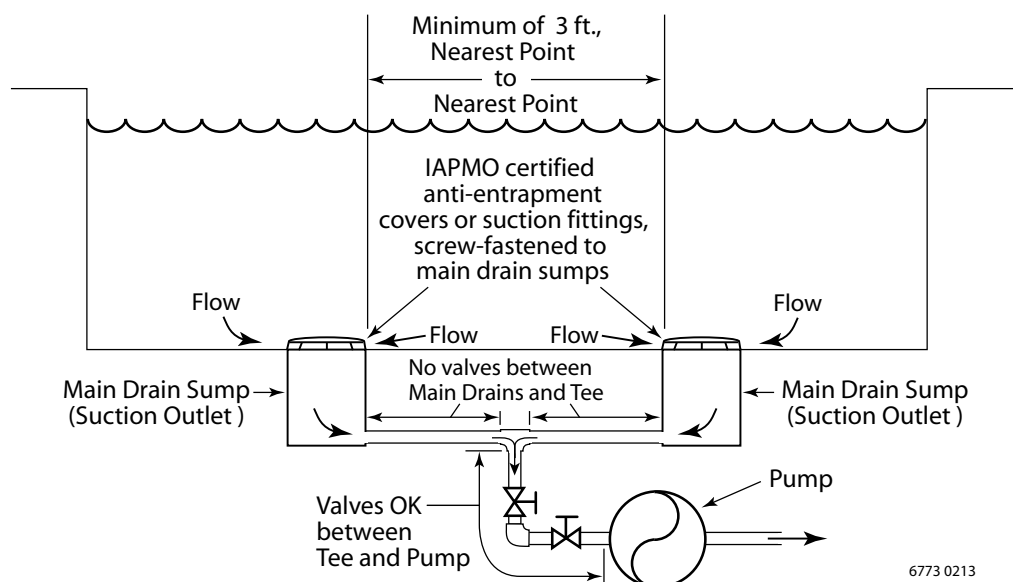


Figura 2 – Disposición recomendada de la aspiración de la bomba

## Accesorios

Los accesorios restringen el flujo; para mejor eficacia, use la cantidad mínima posible de accesorios (pero al menos dos bocas de salida de aspiración).

Evite accesorios que puedan atrapar aire.

Los accesorios para piscinas deben cumplir con las normas de la Asociación Internacional de Oficiales de Plomería y Mecánica (IAPMO).

Use sólo accesorios de aspiración contra atrapamiento o de doble aspiración.

## Información eléctrica

**⚠ ADVERTENCIA** **Riesgo de choque eléctrico.** Puede provocar choque, quemadura o muerte. Conectar la bomba a tierra antes de conectarla a una fuente de suministro de energía.

- Conectar el motor antes de conectarlo a la fuente de suministro de corriente eléctrica. Si no se conecta el motor a tierra, existe el peligro de choque eléctrico grave o fatal.
- Para evitar un choque eléctrico peligroso o fatal, desconecte el suministro de energía al motor (OFF) antes de trabajar con las conexiones eléctricas.
- Si se dispara el disyuntor de escape a tierra (GFCI), eso indica que hay un problema de índole eléctrico. Si el GFCI se dispara y no se repone, haga que un electricista competente inspeccione y repare el sistema eléctrico.
- Haga corresponder exactamente la tensión de suministro con la tensión indicada en la placa de fábrica. Una tensión incorrecta puede provocar un incendio o dañar el motor seriamente y anulará la garantía. En caso de duda, consulte con un electricista certificado.

**⚠ ADVERTENCIA** **Riesgo de explosión.** No haga la puesta a tierra a través de una línea de suministro de gas.

## Tensión

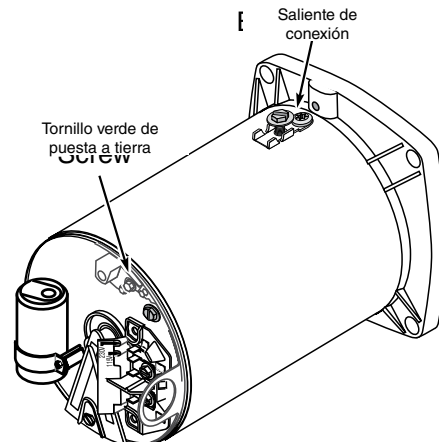
La tensión en el motor no debe ser más del 10% inferior o superior a la tensión nominal de la placa de fábrica del motor, o el motor se puede recalentar, provocando un disparo por sobrecarga y una vida reducida del componente. Si la tensión es menos del 90% o más del 110% de la tensión nominal cuando el motor está marchando a plena carga, consulte con la empresa de suministro de energía.

## Puesta a tierra/Conexión

Instale, ponga a tierra, conecte y cablee el motor conforme a los requerimientos del Código Nacional Eléctrico.

Motor puesto a tierra permanentemente. Use el borne verde de puesta a tierra provisto debajo de la cubierta del motor o de la plancha de acceso (ver la Figura 3); use el cable del tamaño y del tipo requeridos por las normas. Conecte el borne de puesta a tierra del motor a la masa de servicio eléctrico.

Conecte un cable de conexión de cobre macizo No. 8 AWG (8.4 mm<sup>2</sup>) al conector del cable de presión provisto en la caja del motor y a todas las partes metálicas de la piscina de natación, spa, o jacuzzi, y a todo el equipo eléctrico, tuberías metálicas o conductos dentro de los 5 pies (1.5 m) de los muros interiores de la piscina de natación, spa o jacuzzi.



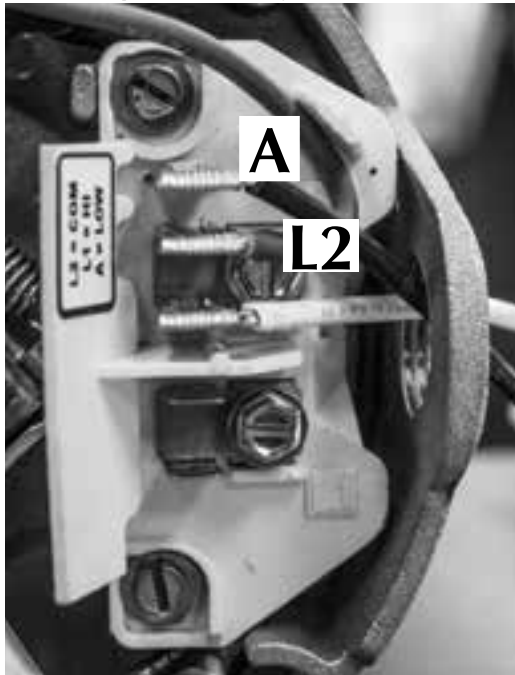
**Figura 3 – Ubicaciones típicas del tornillo de puesta a tierra y de la saliente de conexión.**

**Motor de dos velocidades**

Estos motores de las bombas que requieren potencia de entrada se aplica a los terminales específicos para obtener el funcionamiento a velocidad baja o alta.

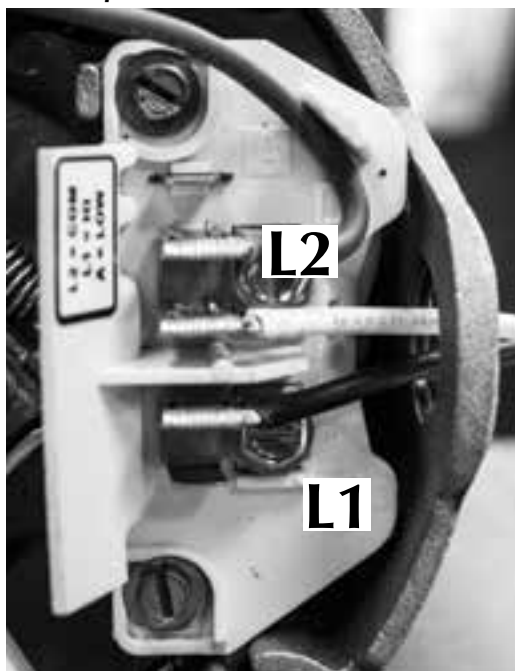
- Para conectar el motor para que funcione a baja velocidad, conecte los cables de potencia de entrada al borne L2 (común) y al borne A (baja velocidad) del tablero de bornes ubicado debajo de la cubierta posterior.

**Operación a baja velocidad**



- Para conectar el motor para que funcione a alta velocidad, conecte los cables de potencia de entrada al borne L2 (común) y al borne L1 (alta velocidad) del tablero de bornes ubicado debajo de la cubierta posterior.

**Operación a lado de velocidad**



**Cableado**

La bomba debe estar conectada permanentemente a un circuito. El Cuadro 1 indica los tamaños correctos de los cables y disyuntores para la bomba solamente. Si también hay otras luces o aparatos en el mismo circuito, asegúrese de agregar sus cargas de amperios a la carga de amperios de la bomba antes de determinar los tamaños de los cables y disyuntores. (Si no está seguro sobre cómo hacerlo, o si no es claro, consulte con un electricista certificado). Use el disyuntor de carga como interruptor maestro para encender y apagar.

Instale un disyuntor de escape a tierra (GFCI) en el circuito; detectará un cortocircuito a tierra y desconectará el suministro de energía antes de que se vuelva peligroso para los usuarios de la piscina. Para el tamaño de GFCI y los procedimientos de prueba requeridos, consulte las instrucciones del fabricante del GFCI.

En el caso de un corte de corriente, verifique que el GFCI no se haya disparado (lo cual impedirá que la bomba funcione normalmente). Repóngalo si es necesario.

**AVISO** Si no usa un conducto cuando cablee el motor, asegúrese de sellar la abertura del cable en el extremo del motor para impedir la entrada de suciedad, insectos, etc.

**Cuadro 1 - Datos sobre los fusibles recomendados**

HP del motor	Amperaje del calibre del fusible del circuito derivado*	Máx. amperios de carga	Tensión /Hz / Fase	Servicio al motor Distancia en pies (m)		
				0-100' (0-30)	101-200' (30-60)	201-300' (60-90)
				Tamaño AWG del cable (mm <sup>2</sup> )		
1	15	6.7	230/60/1	14(2)		
1-1/2		7.6				

\* Se recomienda el uso de fusibles de acción diferida en lugar de fusibles estándar en todo circuito del motor.



**AVISO** NUNCA permita que la bomba marche en seco. La marcha en seco de la bomba puede dañar las juntas, provocar fugas e inundación. Llene la bomba con agua antes de encender el motor.

**⚠ ADVERTENCIA** **Riesgo de explosión.** Antes de retirar la tapadera de la trampa:

1. **Detenga la bomba** antes de continuar.
2. **Cierre las válvulas de compuerta** en las tuberías de aspiración y descarga.
3. **Libere toda la presión** de la bomba y del sistema de tuberías.
4. Si se está haciendo una prueba de presión de la bomba, asegúrese de que se haya liberado toda la presión antes de retirar la tapadera de la trampa.

**⚠ ADVERTENCIA** **Riesgo de incendio y quemaduras.** Los motores funcionan a temperaturas altas. Para reducir el peligro de incendio, no permita que hojas, escombros o sustancias extrañas se acumulen alrededor del motor de la bomba. Para evitar quemaduras cuando se manipule el motor, se debe dejar enfriar por 20 minutos antes de trabajar en el mismo. Un interruptor de cierre automático interno protege al motor contra daños provocados por el calor durante la operación.

	<p><b>⚠ PELIGRO</b></p> <p><b>Aspiración peligrosa. Puede atrapar el cabello o el cuerpo, provocando lesiones graves o muerte.</b></p> <ul style="list-style-type: none"> <li>• No bloquear la aspiración.</li> <li>• Un adulto debe supervisar a los niños pequeños en todo momento.</li> </ul>
--	--

## Cebadura de la bomba

Libere toda la presión del filtro, de la bomba y del sistema de tuberías; consulte el manual del propietario del filtro.

En un sistema de aspiración inundado (la fuente de agua es más alta que la bomba), la bomba se cebará cuando se abran las válvulas de aspiración y descarga.

Si la bomba no está en un sistema de aspiración inundado, destornille y retire la tapadera de la trampa; llene la trampa y la bomba con agua. No lubrique el aro tórico de la tapadera de la trampa. El aro tórico original del aparato contiene un lubricante interno permanente.

**AVISO** Si reemplaza el aro tórico con un aro tórico que no está lubricado internamente, deberá aplicar un lubricante a base de silicona.

Limpie e inspeccione el aro tórico; vuelva a instalarlo en la tapadera de la trampa.

Vuelva a colocar la tapadera de la trampa en la trampa; hágala girar en la dirección de las agujas del reloj para ajustarla.

**AVISO** Apriete la cubierta de la trampa sólo a mano ¡(sin llaves)! La bomba comenzará a cebarse. El tiempo de cebadura dependerá del largo vertical de la altura de aspiración y del largo horizontal de la tubería de aspiración.

Si la bomba no se ceba, verifique que todas las válvulas estén abiertas, que el extremo de la tubería de aspiración esté bajo agua, que la bomba no esté tratando de levantar agua más de 10 pies (3 m), y que no haya fugas en la tubería de aspiración. De ser necesario, consulte la sección de Localización de fallas.

## Almacenamiento / Preparación para el invierno:

**AVISO** ¡Si se permite que la bomba se congele, se dañará la bomba y la garantía quedará anulada!

**AVISO** No use soluciones anticongelantes (salvo propilenglicol) en su sistema de piscina/spa. El propilenglicol "anticongelante RV", no es tóxico y no dañará los componentes de plástico del sistema; otras fórmulas anticongelantes son muy tóxicas y pueden dañar los componentes de plástico en el sistema.

Drene toda el agua de la bomba y de la tubería cuando espere temperaturas heladas o cuando guarde la bomba por un tiempo prolongado (consulte la sección de *Drenaje de la bomba*).

Mantenga el motor seco y cubierto durante el almacenamiento.

Para evitar problemas de condensación/corrosión, **no cubra** la bomba con plástico.

Para instalaciones en el exterior / sin protección:

1. Encierre todo el sistema en un recinto resistente a la intemperie.
2. Para evitar daños de condensación/corrosión, provea ventilación; no envuelva el sistema en plástico.
3. Use una solución de 40% propilenglicol/60% de agua para proteger la bomba hasta -50°F (-46°C).

## Drenaje de la bomba

**⚠ ADVERTENCIA** **Riesgo de choque eléctrico.** Puede provocar choque, quemadura o muerte. Desconecte el suministro de energía antes de trabajar en la bomba o en el motor.

1. Bombee el agua hasta que llegue a un nivel por debajo de todas las tomas de admisión a la piscina.

**⚠ ADVERTENCIA** **Riesgo de choque eléctrico.** Puede provocar choque, quemadura o muerte. Para evitar el riesgo de un choque eléctrico peligroso o fatal, desconecte el suministro de energía (OFF) al motor antes de drenar la bomba.

2. Retire la cubierta de la trampa y use aire a baja presión para soplar y remover el agua acumulada del sistema de tubería. Use una barra o un tablón de apalancar para retirar las cubiertas de la trampa que estén demasiado apretadas o que se hayan asentado y no se puedan retirar a mano. La tapa de la trampa está provista de salientes para usar una palanca o una barra de apalancar para aflojar la tapa. Nunca use aire a alta presión para depurar el sistema.
3. Tape la tubería de admisión después del drenaje para mantener el agua fuera de las tuberías.
4. Para impedir que la bomba se congele, retire la cubierta de la trampa y drene la unidad del tanque a través de las dos tomas de drenaje provistas. Limpie la bomba a fondo; vuelva a colocar la cubierta de la trampa.

**AVISO** Apriete la cubierta de la trampa a mano solamente ¡(sin llaves)!. Si la bomba no está anclada, ¡tenga cuidado para evitar romper la tubería que está adosada a la bomba!

5. Asegúrese de mantener el motor seco y cubierto.

**Arranque para equipo preparado para el invierno**

1. Saque toda protección provisoria contra la intemperie que se haya colocado alrededor del sistema para apagarlo.
2. Siga las instrucciones del fabricante del filtro para reactivarlo.
3. Inspeccione todo el cableado eléctrico para verificar que no hayan ocurrido daños ni deterioro durante el período de cierre. Haga que un técnico de servicio certificado repare el cableado según se requiera.
4. Inspeccione y apriete todas las conexiones impermeables.
5. Abra todas las válvulas en las tuberías de aspiración y de regreso.
6. Saque todos los tapones de preparación para el invierno que se encuentren en el sistema de tuberías.
7. Drene todo el anticongelante del sistema.
8. Cierre todas las válvulas de desagüe y vuelva a colocar todos los tapones de desagüe en el sistema de tuberías.
9. Ceba la bomba según las instrucciones en *Cebadura de la bomba*.

**Mantenimiento**

Solamente personas calificadas deberán reparar o realizar trabajos de mantenimiento en la bomba.

Para obtener el mejor resultado, use sólo piezas de origen.

Asegúrese de cebar la bomba antes del arranque.

**ADVERTENCIA** **Riesgo de exposion.** Antes de sacar la tapa del colector:

1. **Detenga la bomba** antes de continuar.
2. **Cierre las válvulas de compuerta** en las tuberías de aspiración y descarga.
3. **Libere toda la presión** de la bomba y del sistema de tuberías.

**ADVERTENCIA** **Riesgo de choque eléctrico.** Puede provocar choques, quemaduras o muerte. Desconecte la corriente antes de realizar trabajos en la bomba o en el motor.

Además de lubricar al aro tórico de la tapa del colector, no es necesario realizar ninguna otra lubricación ni mantenimiento regular además del cuidado razonable y la limpieza periódica de la cesta de aspiración.

Si el sello del eje está gastado o averiado, repárelo de la siguiente manera:

**Desensamblaje de la bomba/remoción del sello antiguo**

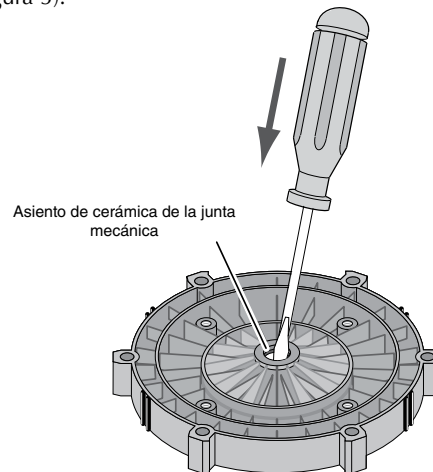
Desconecte la corriente al motor de la bomba. Asegúrese de que las válvulas de compuerta en las tuberías de aspiración y de regreso estén cerradas antes de comenzar a trabajar. Libere toda la presión abriendo todos los orificios de ventilación antes de comenzar a trabajar.

1. Drene la bomba sacando los tapones de desagüe en el fondo del cuerpo de la bomba y en el cuerpo del colector.
2. Asegúrese de que no haya presión en el cuerpo del colector, saque la tapa (destorníllela haciéndola girar en dirección opuesta a las agujas del reloj).

3. Saque las 6 tuercas, las arandelas de seguridad y las arandelas planas sosteniendo la placa de estanquidad en el cuerpo de la bomba. Saque la placa de estanquidad y el motor fuera del cuerpo de la bomba. (Deberá tener CUIDADO y usar un destornillador para separar el cuerpo de la placa de estanquidad).
4. Saque los siete tornillos y las arandelas que sostienen al difusor contra la placa de estanquidad. Saque el difusor.

**ADVERTENCIA** **Riesgo de choque eléctrico.** Puede provocar choque, quemadura o muerte. El voltaje del capacitor puede ser peligroso. Para descargar el capacitor del motor, tome un desatornillador con mango aislado POR EL MANGO y ponga en corto las terminales del capacitor. No toque la superficie de metal del desatornillador ni las terminales del capacitor. Si tiene alguna duda, consulte a un electricista calificado.

5. Saque el techo del motor, teniendo cuidado de no tocar los bornes del condensador, afloje la abrazadera del condensador y muévala a un lado.
6. Sostenga el eje con una llave de extremo abierto de 7/16" en el filo del eje del motor.
7. Destornille el impulsor del eje (hágalo girar en dirección opuesta a las agujas del reloj cuando lo esté mirando).
8. Saque los cuatro tornillos que sostienen la placa de estanquidad al motor.
9. Coloque la placa de estanquidad hacia abajo sobre una superficie plana y golpetee para sacar el asiento de cerámica. (Figura 5).

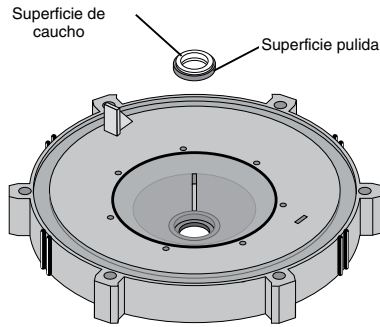


**Figura 5**

10. Saque el deflector del eje del motor y verifique que no esté averiado ni que haya abrasión.
11. Limpie la cavidad del sello en la placa de estanquidad y limpie el eje del motor.

## Ensamblaje de la bomba/instalación del nuevo sello

1. El asiento de cerámica debe estar limpio y libre de suciedad, grasa, polvo, etc. Humedezca el borde externo con una pequeña cantidad de detergente líquido; presione el asiento de cerámica en la cavidad de la placa de estanquidad con firmeza y con la presión del dedo (ver figura 6).



**Figura 6**

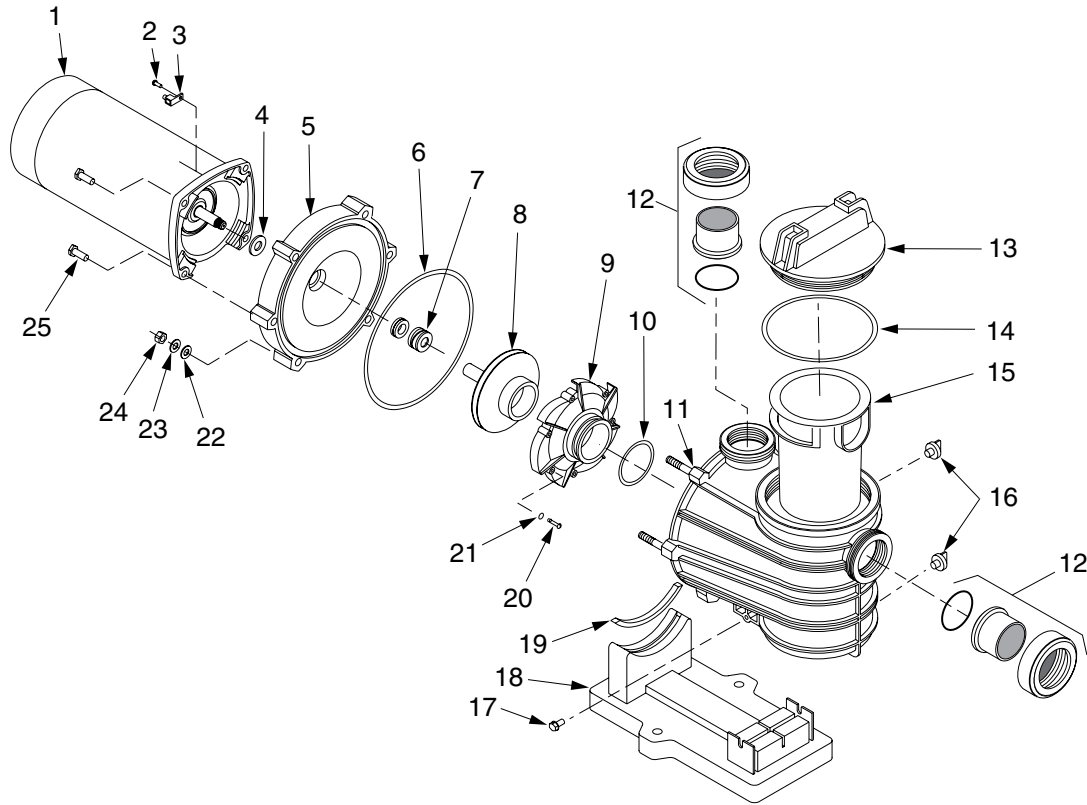
2. Si el asiento de cerámica no se acomoda correctamente, sáquelo, colóquelo boca arriba sobre un banco y vuelva a limpiar la cavidad. El asiento de cerámica ahora deberá quedar bien colocado.
3. Si el asiento aún no queda bien acomodado, coloque una arandela de cartón sobre la superficie pulida y use un trozo de tubo estándar de 3/4" (19 mm) para aplicar presión.  
**AVISO** Asegúrese de no rayar ni estropear la superficie pulida para evitar pérdidas desde el sello.

4. Cambie el deflector en el extremo del eje del motor para que el manguito del impulsor lo empuje en su posición. Si el deflector tiene señales de desgaste o avería, cámbielo.
5. Vuelva a colocar la placa de estanquidad en el motor. Apriete los pernos a una torsión de 60-80 pulgadas-lb (69-92 kg/cm).
6. Aplique una pequeña cantidad de detergente líquido al diámetro interno de la mitad giratoria del sello.
7. Deslice la porción giratoria del sello, con la superficie de carbón pulido hacia afuera, sobre el manguito del impulsor hasta que el anillo de impulsión de caucho toque la parte posterior del impulsor.  
**AVISO** Asegúrese de no hacer muescas ni rayar la superficie pulida del sello; el sello tendrá fugas si la superficie está averiada.
8. Atornille el impulsor en el eje (en dirección de las agujas del reloj); esto colocará el sello automáticamente en la placa de estanquidad.
9. Coloque el difusor sobre la placa de estanquidad, apriete los tornillos a una torsión de 10-14 pulgadas-lbs (11.2-16.1 kg cm).
10. Arme el motor y la placa de estanquidad en el cuerpo de la bomba con las tuercas, las arandelas planas y las arandelas de seguridad. Aplique torsión a las tuercas de 120-130 pulgadas-lbs (138-150 kg/cm).
11. Ceba la bomba según las instrucciones en la *Cebadura de la bomba*.

**▲ ADVERTENCIA** **Riesgo de choque eléctrico.** Puede provocar choque, quemadura o muerte.

- Desconecte la corriente antes de realizar trabajos en la bomba o en el motor.
- Lea y comprenda las instrucciones de seguridad y de operación en el manual antes de realizar trabajos en la bomba.
- Las pruebas eléctricas del motor de la bomba deben ser realizadas solamente por personal calificado.

Problema	Solución
No bombea, capacidad o presión de descarga reducidas.	
Fugas en la aspiración/Pierde la cebadura:	La bomba se debe cebar. Asegúrese de que la voluta de la bomba y el colector estén llenos de agua. Ver <i>Cebadura de la bomba</i> .
	Asegúrese de que no haya fugas en la tubería de aspiración.
	Asegúrese de que la entrada de la tubería de aspiración se encuentre bien por debajo del nivel del agua para evitar que la bomba aspire aire.
	Si la empaquetadura del colector de aspiración es defectuosa, cámbiela.
	Asegúrese de que la bomba no esté tratando de elevar el agua por encima de los 10 pies de altura (3 cm).
Tubo, colector o impulsor tapados, impulsor gastado:	Asegúrese de que el colector de aspiración no está tapado, si lo está, limpie el colector y la cesta de aspiración.
	Asegúrese de que el impulsor no está tapado (ver <i>Remoción del sello antiguo</i> . Verifique que el impulsor no está tapado, ver <i>Instalación del nuevo sello</i> para volver a ensamblar)
	El impulsor y el difusor pueden estar gastados. Ver <i>Piezas de repuesto</i> .
Problemas eléctricos:	
La bomba está funcionando demasiado lenta.	Inspeccione la tensión en los bornes del motor y en el contador mientras la bomba está funcionando. Si es baja, consulte las instrucciones de cableado o con la empresa de suministro de energía. Verifique que no hayan conexiones flojas.
La bomba puede estar muy caliente:	Inspeccione la tensión de línea; si es menor de 90% o más de 110% de la tensión nominal, consulte con un electricista certificado.
	Aumente la ventilación.
	Reduzca la temperatura ambiente.
Problemas mecánicos y ruido	Apriete toda conexión floja.
	Las tuberías de aspiración y de descarga no están bien apoyadas, la unidad de la bomba está sujeta a demasiada presión. Ver <i>Instalación</i> .
	No instale la bomba sobre una plataforma de madera. Instálela, de forma segura, sobre una plataforma de hormigón para un funcionamiento más silencioso.



Ref.	Descripción	Cant.	FPT20510 • 1 HP	FPT20515 • 1-1/2 HP
1	Motor 230 voltios, monofásico, 2-velocidades	1	62001-1117 PKG	62001-1116 PKG
2	Tornillo #10-32 x 1/2"	1	U30-692SS	
3	Saliente de empalme	1	U17-568	
4	Deflector	1	17351-0009	
5	Placa de estanquidad	1	C3-184P	
6	Anillo de cordón de placa de estanquidad	1	U9-373	
7	Sello del eje	1	37400-0027S	
8	Impulsor*	1	C105-236P	C105-236B
9	Difusor	1	C1-270PB	C1-270PC
10	Aro tórico del difusor	1	U9-374	
11	Cuerpo de la bomba y del colector (solamente)	1	C76-58P	
12	Juego de media unión deslizante de 2 x 1-1/2" (incluye dos de cada uno: adaptador, collarín, aro tórico)	1	77703-0101	
13	Tapa del colector*	1	C3-185P	
14	Aro tórico de la tapa del colector	1	U9-375	
15	Canasta del colector	1	C8-58P	
16	Tapón de desagüe	2	U178-920P	
17	Tornillo de montaje de 5/16-4 x 5/8"	2	U30-919SS	
18	Base	1	C4-77P	
19	Plataforma del motor	1	C35-45	
20	Tornillo de cabeza redonda #8-32 x 7/8	7	U30-542SS	
21	Arandela de seguridad de 3/8" de diente externo	7	U43-21SS	
22	Arandela plana de 3/8"	6	U43-62SS	
23	Arandela de seguridad de 3/8"	6	U43-12SS	
24	Tuerca hexagonal de 3/8-16x1"	6	U36-38SS	
25	Tornillo prisionero hexagonal 3/8-16x1"	4	U30-74SS	

\* Para instalaciones en las que se usan desinfectantes de biguanida, encargue repuestos C3-185P3.



**Retener el recibo original a fin de determinar la elegibilidad para la garantía**

**Garantía limitada**

Esta Garantía Limitada entra en vigor el 1 de junio de 2011 y sustituye toda garantía sin fecha o garantía con fecha anterior al 1 de junio de 2011. FLOTEC le garantiza al comprador consumidor original (el "Comprador" o "Usted") de sus productos, que éstos estarán libres de defectos en materiales y en mano de obra por un período de doce (12) meses, a partir de la fecha de la compra original del consumidor. Si dentro de los doce (12) meses a partir de la fecha de la compra inicial del consumidor, Será reparado o reemplazado a opción de la FLOTEC, sujeto a los términos y condiciones establecidos en la presente. Tome nota de que esta garantía limitada cubre defectos de manufactura solamente y no el desgaste común. Todos los aparatos mecánicos periódicamente necesitan repuestos y servicio para un funcionamiento correcto. Esta garantía limitada no cubre las reparaciones que se realicen cuando el uso normal haya agotado la vida útil de una pieza o del aparato.

Es necesario retener el recibo de compra original y la etiqueta de información de la garantía a fin de determinar la elegibilidad para la garantía. La elegibilidad se basa en la fecha de compra del producto original - no en la fecha del reemplazo bajo la garantía. La garantía es limitada y cubre solamente la reparación o el reemplazo del producto original adquirido, no del producto reemplazado (es decir que se permite un reemplazo por compra bajo la garantía). El comprador pagará todos los costos de remoción, instalación, mano de obra y envío necesarios, así como todo costo adicional asociado.

Si necesita piezas o resolución de problemas, NO regrese el producto a la tienda minorista. Llame el Servicio a la Clientela de FLOTEC al 1-800-365-6832.

Las reclamaciones hechas bajo esta garantía se realizarán mediante la devolución del producto (a excepción de las bombas cloacales - ver a continuación) al concesionario de venta al público en donde se haya adquirido o a la fábrica, inmediatamente después de haber descubierto cualquier presunto defecto. FLOTEC entonces tomará la medida correctiva tan pronto como sea razonablemente posible. No se aceptarán solicitudes de servicio, si se reciben más de 30 días después del vencimiento de esta garantía.

La garantía no es transferible y no cubre productos utilizados en aplicaciones comerciales o de alquiler.

**Bombas cloacales**

NO devuelva una bomba cloacal (que se haya instalado) a su tienda minorista. Comuníquese con el Departamento de Atención al Cliente de FLOTEC. Las bombas cloacales que hayan estado en servicio y se hayan removido pueden representar un peligro de contaminación.

Si su bomba cloacal ha fallado:

- Use guantes de caucho cuando manipule la bomba;
- Para los fines de la garantía, devuelva la etiqueta del cordón de la bomba y el recibo de compra original a la tienda minorista;
- Descarte la bomba cumpliendo con todas las normas locales que correspondan para su eliminación.

**Excepciones para la Garantía limitada de Doce (12) Meses**

Producto	Período de garantía
FP0F360AC, FP0FDC	90 días
FP0S1775A, FP0S1790PCA, FP0S2400A, FP0S2450A, FP0S4100X, FP2800DCC, FPCP-20ULST, FPPSS3000, FPSC2150A, FPSC3150A, FPSC3350A	2 años
Bombas de pozo sumergibles de 4", FP0S3200A, FP0S3250A, FP0S6000A, FPSC1725X, FPSC2200A, FPSC2250A, FPSE3601A, FPPSS5000	3 años
Tanque precargado del sistema de agua (Serie FP7100), E100ELT, E3305TLT, E3375TLT, E5005TLTT, E50TLT, E50VLT, E75STVT, E75VLT, FPSC3200A, FPSC3250A, FPSC4550A	5 años

**Términos y condiciones generales; Limitación de recursos**

Usted deberá pagar por todos los gastos de mano de obra y de envío necesarios para reemplazar el producto cubierto por esta garantía. Esta garantía no se aplicará en las siguientes situaciones: (1) caso de fuerza mayor (2) productos que, a sólo juicio de FLOTEC hayan sido sometidos a negligencia, abuso, accidente, mala aplicación, manejo indebido o alteraciones; (3) fallas debido a instalación, operación, mantenimiento o almacenamiento inadecuados; (4) aplicaciones, usos o servicios que no sean normales o aprobados; (5) fallas provocadas por corrosión, herrumbre u otros materiales extraños en el sistema, o una operación a presiones que excedan los máximos recomendados.

Esta garantía establece la única obligación de FLOTEC y el recurso exclusivo del Comprador con respecto a los productos defectuosos. FLOTEC NO SE HARÁ RESPONSABLE DE NINGÚN DAÑO—O CONSECUENTE, INCIDENTAL O CONTINGENTE.

LAS GARANTÍAS LIMITADAS QUE ANTECEDEN SON EXCLUSIVAS Y EN LUGAR DE TODA OTRA GARANTÍA EXPLÍCITA E IMPLÍCITA, INCLUYENDO, PERO SIN LIMITARSE A LAS GARANTÍAS IMPLÍCITAS DE COMERCIALIZACIÓN E IDONEIDAD PARA UN FIN ESPECÍFICO. LAS GARANTÍAS LIMITADAS QUE ANTECEDEN NO SE EXTENDERÁN MÁS ALLÁ DEL PERÍODO DE DURACIÓN INDICADO EN LA PRESENTE.

Algunos Estados no permiten la exclusión o limitación de daños incidentales o consecuentes o de limitaciones de tiempo sobre garantías implícitas, de modo que es posible que las limitaciones o exclusiones que preceden no correspondan en su caso. Esta garantía le otorga derechos legales específicos y es posible que Usted también tenga otros derechos que pueden variar de un Estado al otro.

**FLOTEC • 293 Wright Street • Delavan, WI 53115 U.S.A.**

**Teléfono: 1-800-365-6832 • Fax: 1-800-526-3757 • Sitio Web: flotecwater.com**

Advertencias e instrucciones de seguridad para estas bombas están disponibles en:

<http://www.pentairpool.com/pool-owner/safety-warnings/>.

**Para refacciones o asistencia, llame a Flotec Servicios al Cliente al: 1 800 365-6832.**

