

31R900

Illustrated Parts List

Model Series

31R900

TYPE NUMBERS

0001, 0002, 0003, 0005, 0006, 0007, 0008, 0009, 0010, 0011, 0012, 0013, 0014, 0015, 0016,
0017, 0018, 0019, 0020, 0021, 0022, 0023, 0023, 0024, 0025, 0026, 0027, 0028, 0029, 0030,
0031, 0032, 0033, 0034, 0035, 0036, 0037, 0038, 0039, 0040, 0041, 0042, 0043, 0044, 0045,
0046, 0047, 0048, 0049.

Not for
Reproduction



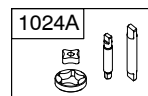
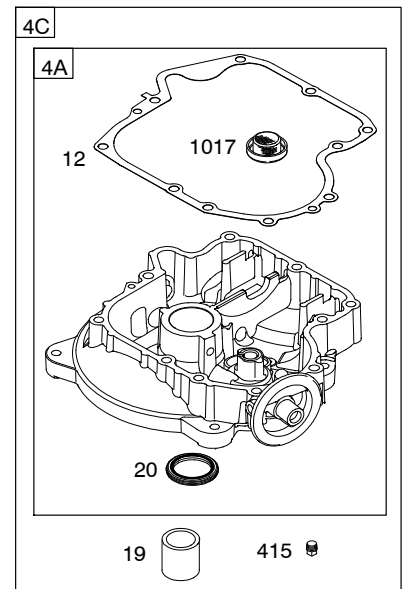
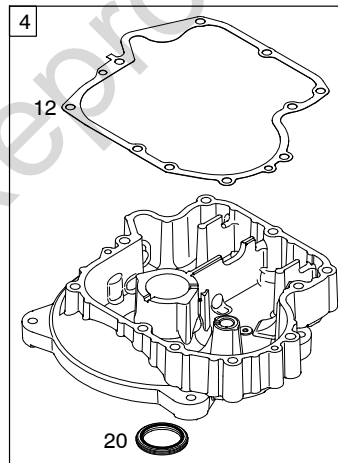
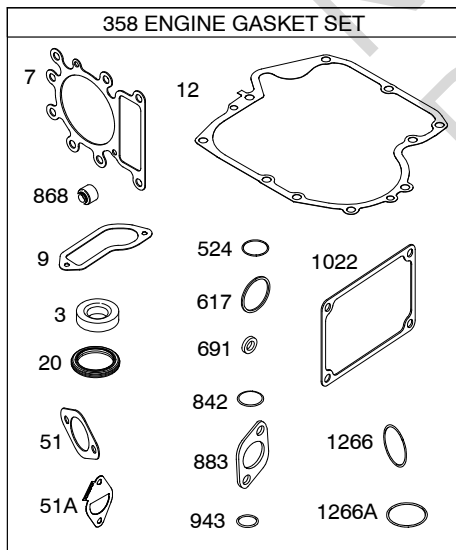
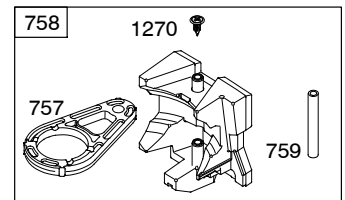
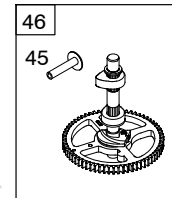
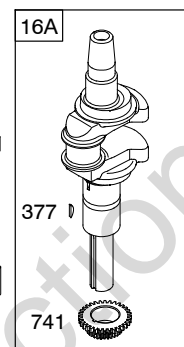
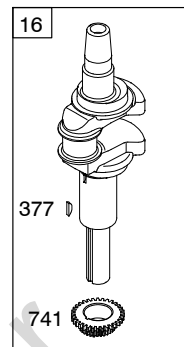
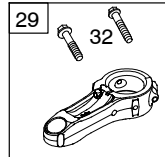
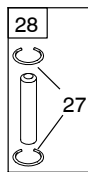
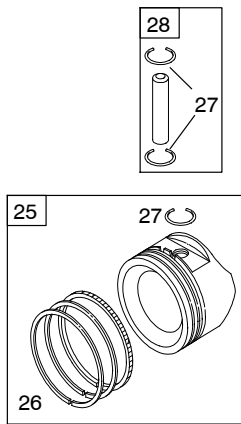
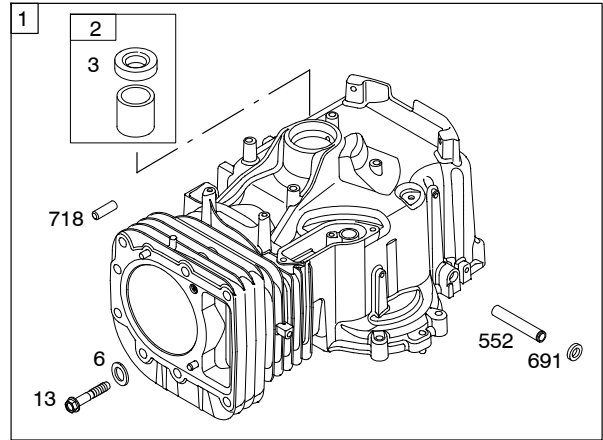
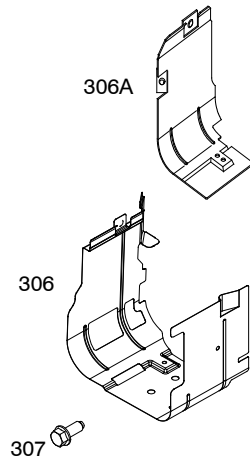
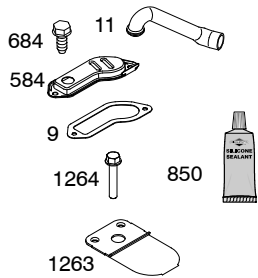
PRINTED IN U.S.A.

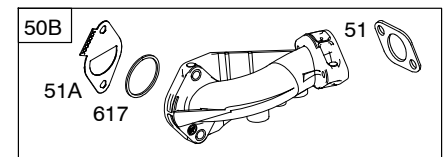
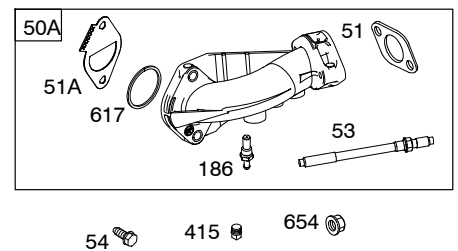
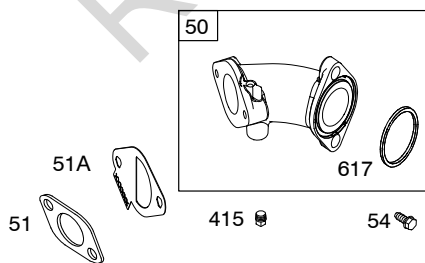
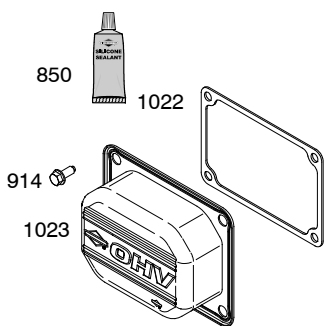
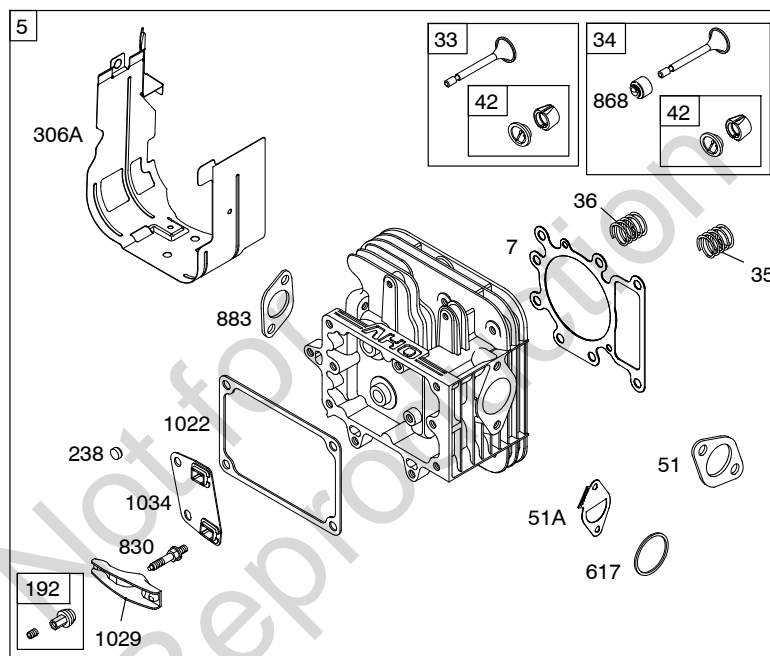
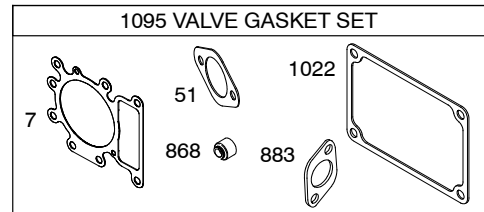
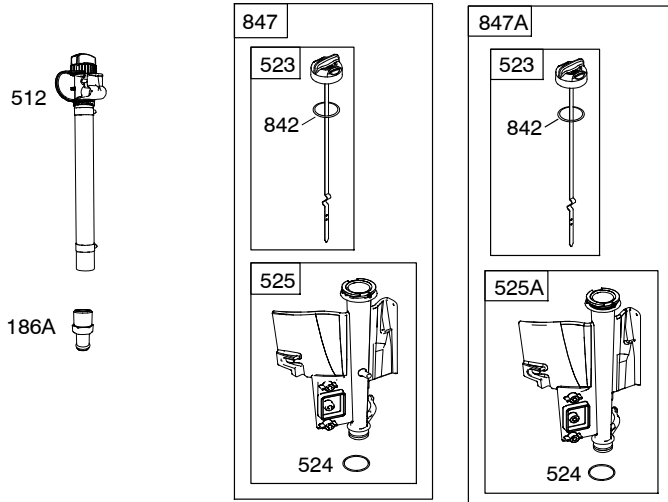
COPYRIGHT by BRIGGS & STRATTON CORPORATION
All rights reserved. No part of this material may be reproduced or transmitted,
in any form or by any means, electronic or mechanical, including photocopying,
recording or by any information storage and retrieval system, without permission
in writing from Briggs & Stratton Corporation.

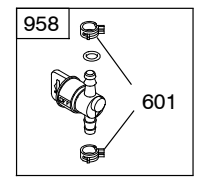
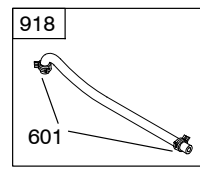
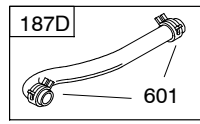
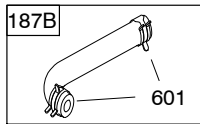
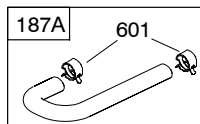
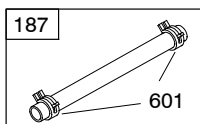
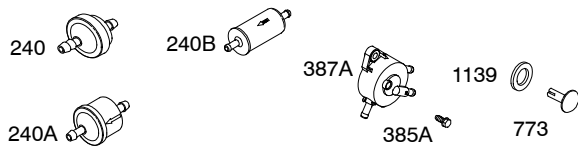
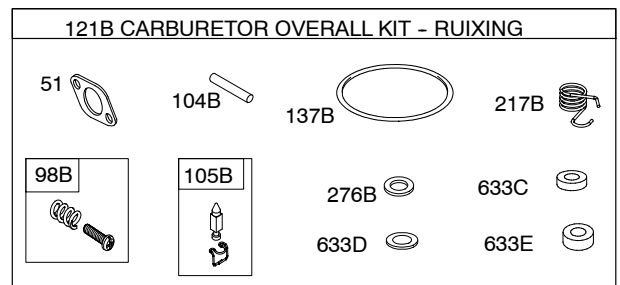
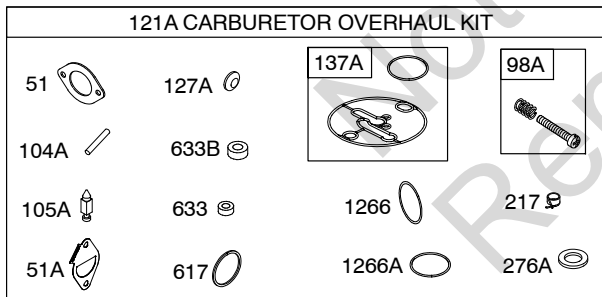
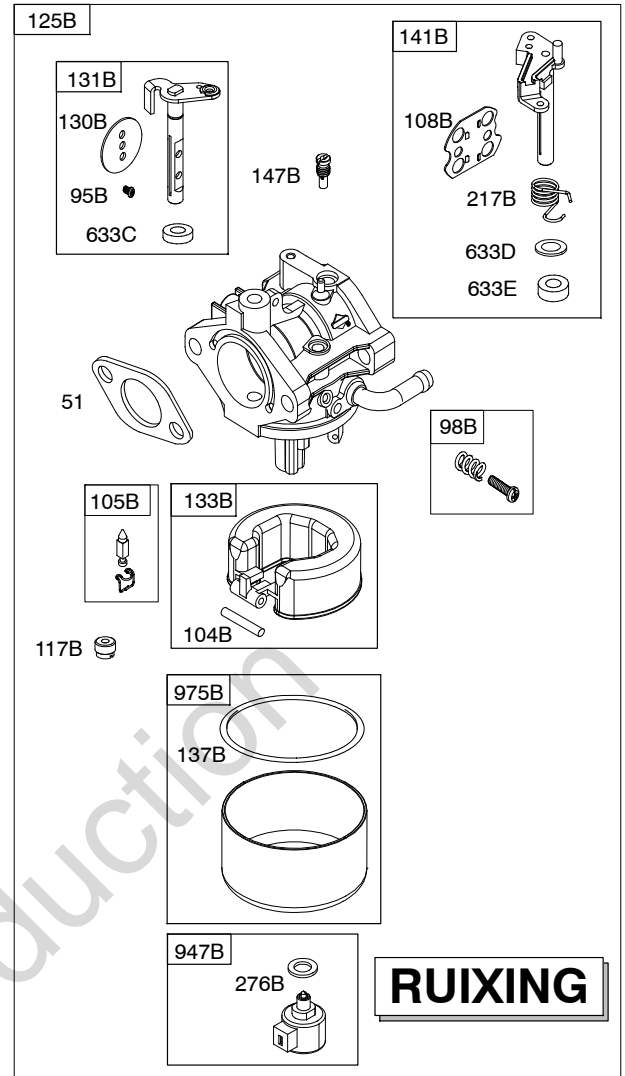
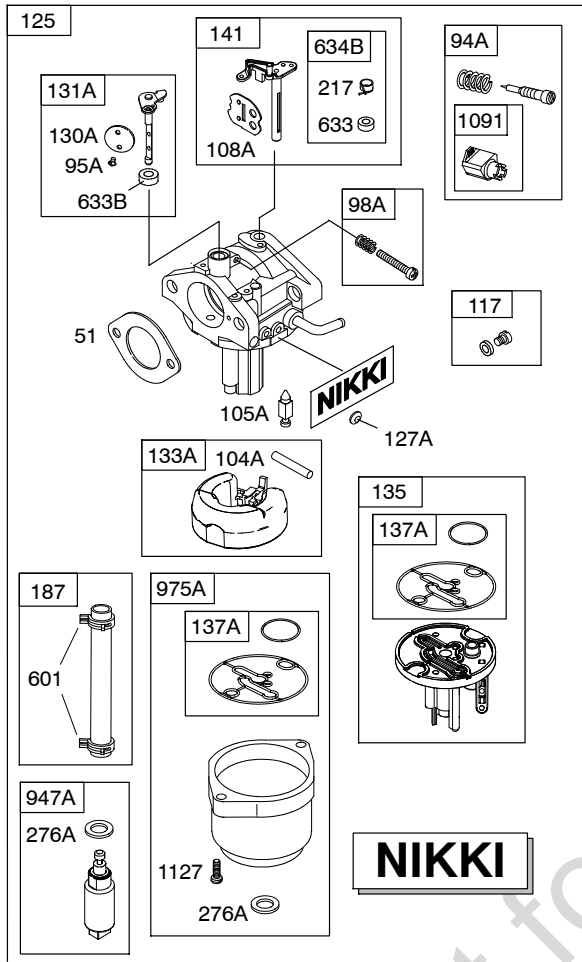
31R900

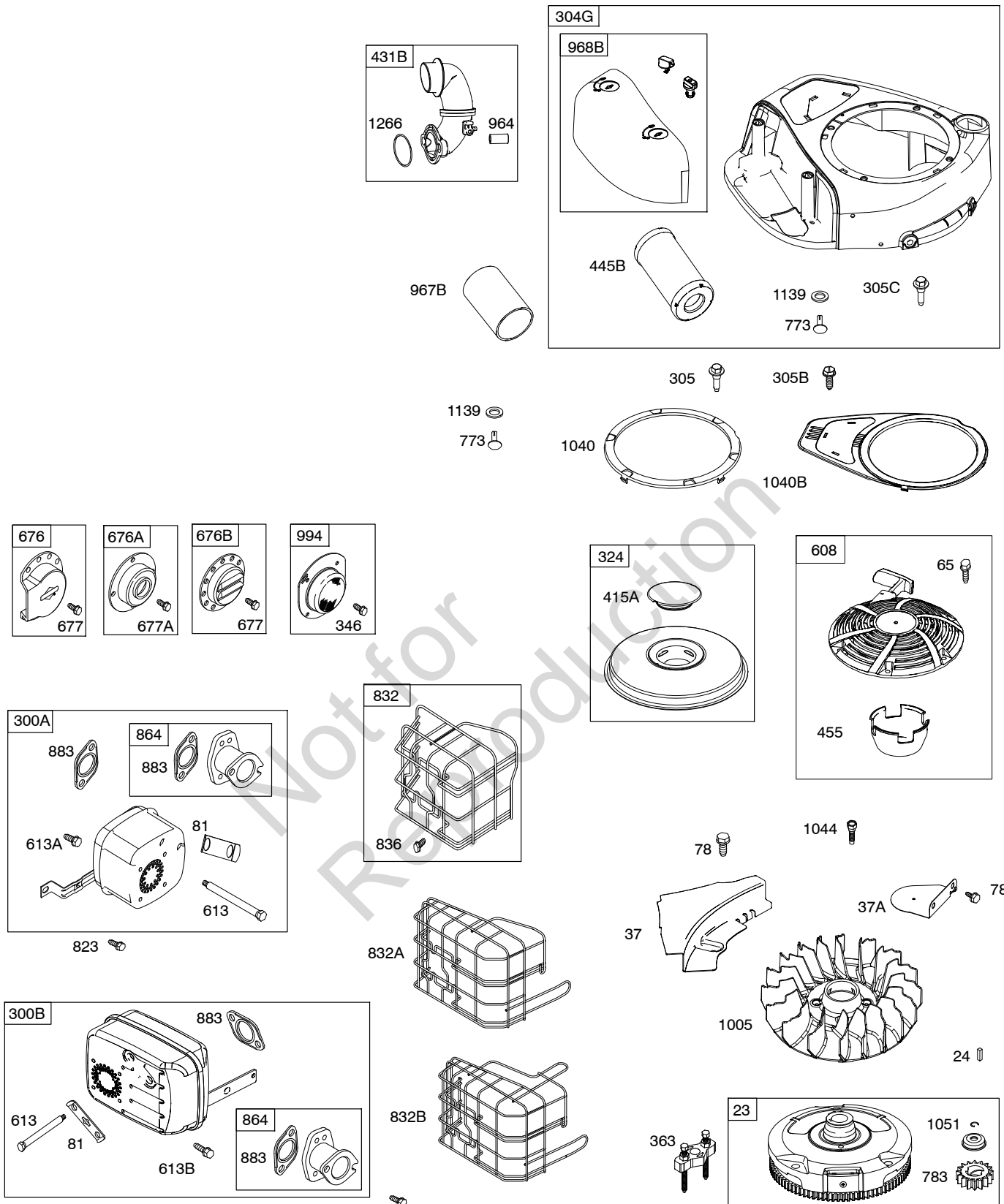
1036 EMISSIONS LABEL

1319 WARNING LABEL



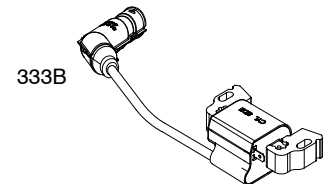
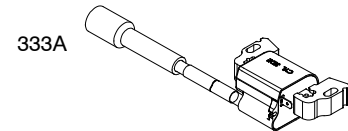
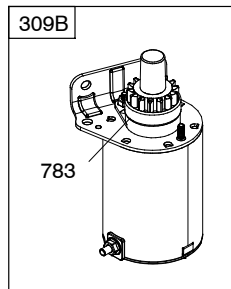
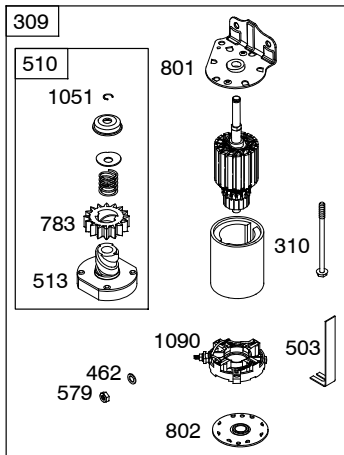
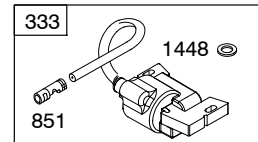
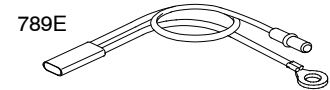
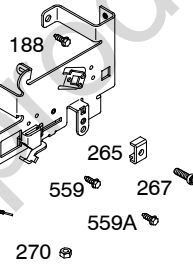
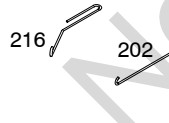
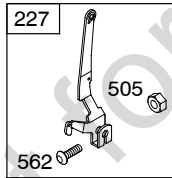
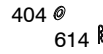
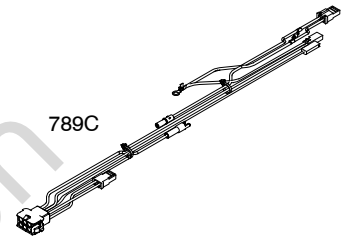
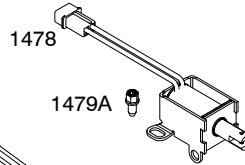
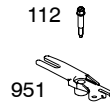
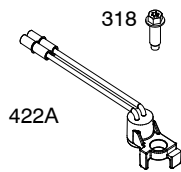
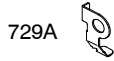
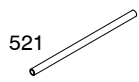
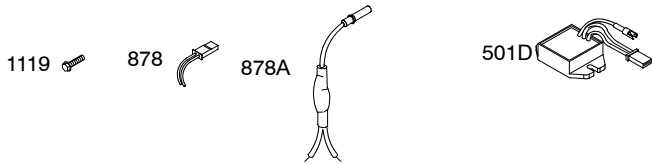
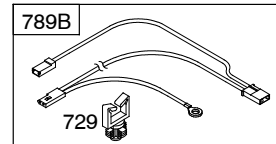
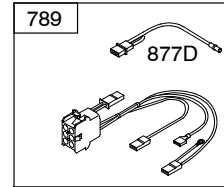
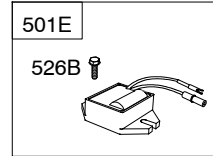
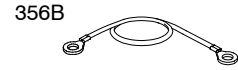
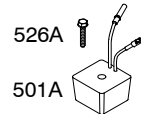
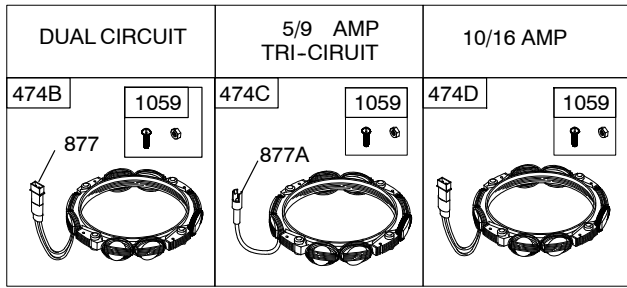






Illustrations cover a range of engines. Parts shown without corresponding text may not be used on your specific engine.
 10488-5 Assemblies include all parts shown in frames. 03/18/2016

31R900



Illustrations cover a range of engines. Parts shown without corresponding text may not be used on your specific engine.
10488-6 Assemblies include all parts shown in frames. 03/18/2016

31R900

REF. NO.	PART NO.	DESCRIPTION	REF. NO.	PART NO.	DESCRIPTION	REF. NO.	PART NO.	DESCRIPTION
1	796010	Cylinder Assembly	23	591758	Flywheel			796172 Piston Assembly
2	797673	Kit-Bushing/Seal (Magneto Side)			----- Note -----			(Used Before Code Date 15030200).
3	391086s	Seal-Oil (Magneto Side)			591759 Flywheel			Used on Type No(s).
4	697106	Sump-Engine			Used on Type No(s).			Used on Type No(s).
		Used on Type No(s).			0010, 0014, 0015,			0014, 0015, 0024,
		0006, 0007, 0012,			0017, 0018, 0019,			0018, 0019, 0025,
		0018, 0019, 0020,			0020, 0024, 0026,			0031.
		0022, 0025, 0031,			0031, 0033, 0035,			594436 Piston Assembly
		0038, 0042, 00440,			0037, 0038, 0041,			(.020" Oversize)
		0049.			0042, 0043, 0046,			(Used After Code Date
4A	592849	Sump-Engine			0048.			14100500).
4C	591009	Sump-Engine			591760 Flywheel			796173 Piston Assembly
		Used on Type No(s).			Used on Type No(s).			(.020" Oversize)
		0028.			0002, 0003, 0006,			(Used Before Code
5	796026	Head-Cylinder			0007, 0013, 0016,			Date 14100600).
6	690310	Washer			0022, 0027, 0044,			594436 Piston Assembly
7	796584	Gasket-Cylinder Head			0045, 0047, 0049.			(.020" Oversize)
9	697109	Gasket-Breather (Use Liquid Sealant Reference 850)			591761 Flywheel			(Used Before Code
					Used on Type No(s).			Date 14100600).
			24	591757	Key-Flywheel			594436 Piston Assembly
			25	594435	Piston Assembly (Standard)			(.020" Oversize)
11	794683	Tube-Breather			(Used After Code Date			(Used After Code Date
12	697110	Gasket-Crankcase			14100500).			14093000).
13	592244	Screw (Cylinder Head) (5/16-18 x 2.69)			----- Note -----			Used on Type No(s).
					796172 Piston Assembly			0039.
15	690946	Plug-Oil Drain (Square Head)			Used on Type No(s).			796173 Piston Assembly
		----- Note -----			0039.			(.020" Oversize)
		691680 Plug-Oil Drain (Square Socket)			(Used After Code Date			(Used Before Code
16	591762	Crankshaft			14093000).			Date 14100100).
16A	591763	Crankshaft			Used on Type No(s).			Used on Type No(s).
		0001, 0003, 0005,			0039.			Used on Type No(s).
		0008, 0010, 0011,			796172 Piston Assembly			0014, 0015, 0024,
		0013, 0016, 0030,			Used on Type No(s).			0018, 0019, 0025,
		0034, 0035, 0039,			0039.			0031.
		0045, 0047.			594435 Piston Assembly			796173 Piston Assembly
19	591010	Seal-Oil			Used on Type No(s).			(.020" Oversize)
20	795387	Seal-Oil (PTO Side)			0039.			(Used Before Code
22	692125	Screw (Crankcase Cover/Sump)			(Used After Code Date			Date 15030200).
					15030100).			Used on Type No(s).
					Used on Type No(s).			Used on Type No(s).
					0014, 0015, 0024,			0014, 0015, 0024,
					0018, 0019, 0025,			0018, 0019, 0025,
					0031.			0031.

Illustrations cover a range of engines. Parts shown without corresponding text may not be used on your specific engine.
 10488-7 Assemblies include all parts shown in frames. 03/18/20016

31R900

REF. NO.	PART NO.	DESCRIPTION	REF. NO.	PART NO.	DESCRIPTION	REF. NO.	PART NO.	DESCRIPTION	
26	594437	Ring Set (Standard) ----- Note ----- 594438 Ring Set (.020" Oversize) (Used After Code Date 14100500). 792649 Ring Set (.020" Oversize) (Used Before Code Date 14100600). 594438 Ring Set (.020" Oversize) (Used After Code Date 14093000). Used on Type No(s). 0039. 792649 Ring Set (.020" Oversize) (Used Before Code Date 14100100). Used on Type No(s). 0039. 594438 Ring Set (.020" Oversize) (Used After Code Date 15030100). Used on Type No(s). 0014, 0015, 0024, 0018, 0019, 0025, 0031. 792649 Ring Set (.020" Oversize) (Used Before Code Date 15030200). Used on Type No(s). 0014, 0015, 0024, 0018, 0019, 0025, 0031.			796007 Pin-Piston (1.97" Long) (Used Before Code Date 14100100). Used on Type No(s). 0039. 594439 Pin-Piston (1.62" Long) (Used After Code Date 15030100). Used on Type No(s). 0014, 0015, 0024, 0018, 0019, 0025, 0031. 796007 Pin-Piston (1.97" Long) (Used Before Code Date 15030200). Used on Type No(s). 0014, 0015, 0024, 0018, 0019, 0025, 0031.				78 691693 Screw (Flywheel Guard) 78A 690364 Screw (Starter Guard) 81 691178 Lock-Muffler Screw 94A 793610 Kit-Idle Mixture (Nikki) 95A 690718 Screw (Throttle Valve) (Nikki) (Used Before Code Date 16010400) 95B 593897 Screw (Throttle Valve) (Ruixing) (Used After Code Date 16010400). 98A 695408 Kit-Idle Speed (Nikki) (Used Before Code Date 16010400) 98B 846817 Kit-Idle Speed (Ruixing) (Used After Code Date 16010400). 104A 694918 Pin-Float Hinge (Nikki) (Used Before Code Date 16010400) 104B 594860 Pin-Float Hinge (Ruixing) (Used After Code Date 16010300). 105A 696136 Valve-Float Needle (Nikki) (Used Before Code Date 16010400) 105B 594868 Valve-Float Needle (Ruixing) (Used After Code Date 16010300). 108A 698773 Valve-Choke (Nikki) (Used Before Code Date 16010400) 108B 594863 Valve-Choke (Ruixing) (Used After Code Date 16010300). 112 593040 Screw-Shoulder (Choke Lever)
			29	794122	Rod-Connecting ----- Note ----- 794571 Rod-Connecting Used on Type No(s). 0001, 0003, 0005, 0008, 0013, 0016, 0047.				
			32	791118	Screw (Connecting Rod)				
			33	792868	Valve-Exhaust				
			34	791935	Valve-Intake				
			35	691279	Spring-Valve (Intake)				
			36	691279	Spring-Valve (Exhaust)				
			37	697352	Guard-Flywheel				
27	698469	Lock-Piston Pin	37A	697626	Guard-Flywheel				
28	594439	Pin-Piston (1.62" Long) (Used After Code Date 14100500). ----- Note ----- 796007 Pin-Piston (1.97" Long) (Used Before Code Date 14100600). 594439 Pin-Piston (1.62" Long) (Used After Code Date 14093000). Used on Type No(s). 0039.	42	499586	Keeper-Valve				
			43	691968	Slinger-Governor/Oil				
			45	690564	Tappet-Valve				
			46	793880	Camshaft				
			50	592845	Manifold-Intake				
			50A	591248	Manifold-Intake				
			50B	592842	Manifold-Intake				
			51	692137	Gasket-Intake				
			51A	796081	Gasket-Restrictor				
			53	591260	Stud (Carburetor)				
			54	691148	Screw (Intake Manifold)				
			65	690940	Screw (Starter-Rewind)				

Illustrations cover a range of engines. Parts shown without corresponding text may not be used on your specific engine.

REF. NO.	PART NO.	DESCRIPTION	REF. NO.	PART NO.	DESCRIPTION	REF. NO.	PART NO.	DESCRIPTION
117	699733	Jet-Main (Standard) (Used Before Code Date 16010400)	130B	594858	Valve-Throttle (Ruixing) (Used After Code Date 16010300).	187	791766	Line-Fuel (Straight)(Cut to Required Length)
117B	594871	Jet-Main (Ruixing) (Standard) (Used After Code Date 16010300).	131A	792765	Kit-Throttle Shaft (Nikki) (Used Before Code Date 16010400)	187A	796491	Line-Fuel (Formed) (Cut to Required Length)
118	843099	Jet-Main (5000)(High Altitude) (Used Before Code Date 16010400)	131B	594856	Kit-Throttle Shaft (Ruixing) (Used After Code Date 16010300).	187B	791805	Line-Fuel (Formed) (Cut to Required Length)
118B	595069	Jet-Main (Ruixing) (High Altitude) (Used After Code Date 16010300).	133A	694914	Float-Carburetor (Nikki) (Used Before Code Date 16010400)	187D	791744	Line-Fuel (Formed) (Cut to Required Length)
121A	796184	Kit-Carburetor Overhaul (Nikki) (Used Before Code Date 16010400)	133B	594859	Float-Carburetor (Ruixing) (Used After Code Date 16010300).	188	691693	Screw (Control Bracket)
121B	594886	Kit-Carburetor Overhaul (Ruixing Carburetor) (Used After Code Date 16010300).	135	698780	Tube-Fuel Transfer ----- Note ----- 796400 Tube-Fuel Transfer (Nikki) Used on Type No(s). 0001, 0002, 0003, 0005, 0008, 0009, 0013, 0016, 0021, 0022, 0027, 0028, 0030, 0032, 0034, 0039, 0044, 0045, 0046, 0047.	192	691986	Adjuster-Rocker Arm
125	591734	Carburetor (Nikki) (Used Before Code Date 16010400) ----- Note ----- 593029 Carburetor (Nikki) (Used Before Code Date 16010400) Used on Type No(s). 0046.	137A	698781	Gasket-Float Bowl (Nikki) (Used Before Code Date 16010400)	202	691841	Link-Mechanical Governor
125B	594605	Carburetor (Ruixing) (Used After Code Date 16010300). ----- Note ----- 594597 Carburetor (Ruixing) (Used After Code Date 16010300). Used on Type No(s). 0046.	137B	594861	Gasket-Float Bowl (Ruixing) (Used After Code Date 16010300).	209	796260	Spring-Governor (Green) ----- Note ----- 690576 Spring-Governor (Gold) Used on Type No(s). 0009, 0023, 0036, 0040. 796261 Spring-Governor (Yellow) Used on Type No(s). 0012, 0035. 792602 Spring-Governor (Red) Used on Type No(s). 0016, 0028, 0030, 0032, 0045. 260902 Spring-Governor (Natural) Used on Type No(s). 0039.
127A	690727	Plug-Welch (Nikki)	141	698778	Kit-Choke Shaft (Used Before Code Date 16010400)	216	691840	Link-Choke
130A	792747	Valve-Throttle (Nikki) (Used Before Code Date 16010400)	141B	594862	Kit-Choke Shaft (Ruixing) (Used After Code Date 16010300).	216A	593043	Link-Choke (Ready Start)
			147B	594872	Jet-Pilot (Ruixing) (Used After Code Date 16010300).	217	695409	Spring-Choke Return (Used Before Code Date 16010400)
			186	794873	Hose-Connector	217B	594864	Spring-Choke (Ruixing) (Used After Code Date 16010300).
			186A	796532	Hose-Connector (Oil Drain)			

Illustrations cover a range of engines. Parts shown without corresponding text may not be used on your specific engine.
10488-9 Assemblies include all parts shown in frames. **03/18/20016**

31R900

REF. NO.	PART NO.	DESCRIPTION	REF. NO.	PART NO.	DESCRIPTION	REF. NO.	PART NO.	DESCRIPTION
222	694042	Bracket-Control	306A	794953	Shield-Cylinder			691043 Plug-Spark (EMS)
227	691374	Lever-Governor Control	307	691693	Screw (Cylinder Shield)			Used on Type No(s). 0006, 0007, 0010, 0011, 0022, 0024.
232	691842	Spring-Governor Link	309	593964	Motor-Starter			
238	691843	Cap-Valve	309B	593936	Motor-Starter			
240	394358s	Filter-Fuel (White, 75 Microns)			Used on Type No(s). 0023, 0036, 0040.	346	794845	Screw (Spark-Arrester)
240A	691035	Filter-Fuel (Includes 40 Micron Paper Element)	310	690323	Screw (Starter Motor) (#10-24 X 4.44)	356B	697089	Wire-Stop
240B	695666	Filter-Fuel (Includes 30 Micron Paper Element)	318	594384	Screw (Snap Switch)	357	691483	Key-Drive Pulley
265	691024	Clamp-Casing	324	593933	Screen-Rotating	358	796187	Gasket Set-Engine
267	794904	Screw (Casing Clamp)	333	799650	Armature-Magneto (Used Before Code Date 16070100)	363	19203	Puller-Flywheel
268	691025	Casing-Control Wire (Cut To Required Length)	333A	594626	Armature-Magneto (Used After Code Date 16063000)	377	691639	Key-Woodruff
269	691026	Wire-Control (Cut To Required Length)			Used on Type No(s). 0001, 0006, 0007, 0010, 0011, 0013, 0014, 0015, 0017, 0018, 0019, 0020, 0021, 0022, 0024, 0027, 0028, 0041, 0043, 0048, 0049.	383	19576s	Wrench-Spark Plug
270	691027	Nut (Control Wire Casing)				385A	690297	Screw (Fuel Pump)
271	691028	Lever-Control				387A	808656	Pump-Fuel
276A	695410	Washer-Sealing (Used Before Code Date 16010400)	333B	595304	Armature-Magneto (EMC Compliant) (Used After Code Date 16063000)	404	691691	Washer (Governor Crank)
276B	846640	Washer-Sealing (Ruixing) (Used After Code Date 16010300).			Used on Type No(s). 0005, 0008, 0009, 0012, 0016, 0023, 0025, 0026, 0029, 0030, 0031, 0032, 0033, 0035, 0037, 0039, 0040, 0042, 0044, 0045, 0046, 0047.	415	794903	Plug (Engine Sump)
300A	795998	Muffler				415A	794129	Plug (Cover/Retainer)
300B	795997	Muffler				422A	593056	Switch-Snap (Ready Start)
304G	591642	Housing-Blower (Black-Compatible With Canister Style Filter)				431B	797901	Elbow-Intake (Compatible With Canister Style Filter)
		----- Note ----- 591643 Housing-Blower (Black) (w/Threaded Inserts for Rewind Starter) (Compatible With Canister Style Filter)	334	691061	Screw (Magneto Armature)	445B	594201	Filter-Air Cleaner Cartridge (Canister Style Filter)
305	697102	Screw (Shoulder)(Blower Housing)	337	792015	Plug-Spark (EMS)(Resistor)	455	796615	Cup-Starter
305B	795891	Screw (Self Threading)				462	691261	Washer (Starter Cable)
305C	799370	Screw (Shoulder)(Blower Housing)				474B	592831	Alternator (Dual Circuit) Used on Type No(s). 0010, 0014, 0015, 0017, 0018, 0019, 0020, 0024, 0026, 0029, 0031, 0033, 0035, 0037, 0038, 0041, 0042, 0043, 0046, 0048.
306	592777	Shield-Cylinder						----- Note ----- 491055s Plug-Spark (Resistor) Used on Type No(s). 0001, 0002, 0003, 0013, 0014, 0015, 0017, 0018, 0019, 0020, 0021, 0027, 0028, 0034, 0038, 0041, 0043, 0048.
						474C	592829	Alternator (Tri Circuit) (5/9 Amp. Regulated)
						474D	592830	Alternator (10-16 Amp. Regulated) Used on Type No(s). 0049.
						501A	794360	Regulator (5/9 Amp.)

Illustrations cover a range of engines. Parts shown without corresponding text may not be used on your specific engine.
 10488-10 Assemblies include all parts shown in frames. 03/18/20016

31R900

REF. NO.	PART NO.	DESCRIPTION	REF. NO.	PART NO.	DESCRIPTION	REF. NO.	PART NO.	DESCRIPTION
501D	845907	Regulator (10-16 Amp.) Used on Type No(s). 0049.	614	691620	Pin-Cotter	757	793242	Link-Counterweight
			616	692012	Crank-Governor	758	594443	Counterweight (Used After Code Date 14100500).
			617	692138	Seal-O Ring (Intake Manifold)			----- Note -----
501E	698315	Regulator (9 Amp.) Used on Type No(s). 0016, 0045.	633	699813	Seal-Choke/Throttle Shaft (Nikki) (Used Before Code Date 16010400)			793763 Counterweight (Used Before Code Date 14100600).
503	691532	Strap-Starter						594443 Counterweight (Used After Code Date 14093000).
505	691251	Nut (Governor Control Lever)	633B	690998	Seal-Throttle Shaft (Nikki) (Used Before Code Date 16010400)			Used on Type No(s). 0003, 0010, 0011, 0013, 0016, 0030, 0035, 0039.
510	693699	Drive-Starter						793763 Counterweight (Used Before Code Date 14100100).
512	594200	Hose-Oil Drain	633C	594866	Seal-Choke/Throttle Shaft (Ruixing) (Used After Code Date 16010300).			Used on Type No(s). 0003, 0010, 0011, 0013, 0016, 0030, 0035, 0039.
513	692024	Clutch-Drive						594443 Counterweight (Used After Code Date 15030100).
521	690581	Shield-Cable						Used on Type No(s). 0003, 0010, 0011, 0013, 0016, 0030, 0035, 0039.
523	699908	Dipstick	633D	594865	Seal-Choke/Throttle Shaft (Ruixing) (Used After Code Date 16010300).			793763 Counterweight (Used Before Code Date 14100100).
524	691032	Seal-Dipstick Tube						Used on Type No(s). 0003, 0010, 0011, 0013, 0016, 0030, 0035, 0039.
525	697085	Tube-Dipstick (With Tube Connector)	633E	797629	Seal-Choke/Throttle Shaft (Ruixing) (Used After Code Date 16010300).			594443 Counterweight (Used After Code Date 15030100).
525A	697184	Tube-Dipstick (Standard)						Used on Type No(s). 0014, 0015, 0018, 0019, 0024, 0025, 0031.
526A	697088	Screw (Regulator)	634B	698779	Spring/Seal Assembly (Nikki)			793763 Counterweight (Used Before Code Date 15030200).
526B	697348	Screw (Regulator)						Used on Type No(s). 0014, 0015, 0018, 0019, 0024, 0025, 0031.
552	697144	Bushing-Governor Crank	635	691909	Boot-Spark Plug			793763 Counterweight (Used Before Code Date 15030200).
559	697561	Screw (.375 Inches Remote Choke Stop)	654	690958	Nut (Carburetor)			Used on Type No(s). 0014, 0015, 0018, 0019, 0024, 0025, 0031.
559A	693675	Screw (.419 Inches Remote Choke Stop)	676	795036	Deflector-Muffler			
562	691119	Bolt (Governor Control Lever)	676A	396903	Deflector-Muffler			
			676B	795038	Deflector-Muffler			
			677	794845	Screw (Muffler Deflector)	759	697392	Pin-Counterweight
579	691029	Nut (Starter Cable)	677A	690661	Screw (Muffler Deflector)	773	796448	Retainer
584	794682	Cover-Breather Passage (Use With Liquid Sealant Reference 850)	684	697157	Screw (Breather Assembly)	783	593935	Gear-Pinion
			691	692407	Seal-Governor Shaft	789	698329	Harness-Wiring
			697	791680	Screw (Drive Cap)	789B	692037	Harness-Wiring
601	791850	Clamp-Hose				789C	594359	Wire Assembly
608	591606	Starter-Rewind	718	690959	Pin-Locating	789E	594999	Harness-Wiring Used in Conjunction with Regulator 698315
613	691416	Screw (Muffler)	729	691335	Clip-Wire (Wire Saddle)	801	691283	Cap-Drive
613A	691678	Screw (Muffler) (5/16-16 x .63)	729A	691224	Clip-Wire (Aluminum Coated Steel)	802	691286	Cap-End
613B	690297	Screw (Muffler) (1/4-20 X .63)	741	697128	Gear-Timing	823	698941	Screw (Muffler Adapter)
			750	790832	Screw (Oil Pump Cover)			

Illustrations cover a range of engines. Parts shown without corresponding text may not be used on your specific engine.
10488-11 Assemblies include all parts shown in frames. 03/18/20016

31R900

REF. NO.	PART NO.	DESCRIPTION	REF. NO.	PART NO.	DESCRIPTION	REF. NO.	PART NO.	DESCRIPTION
830	691095	Stud-Rocker Arm	947B	846639	Solenoid-Fuel (Ruixing)	1029	691751	Arm-Rocker
832	790293	Guard-Muffler			(Used After Code Date 16010300).	1034	690822	Guide-Push Rod
832A	595029	Guard-Muffler				1036		Label-Emissions (Available From A Briggs & Stratton Authorized Dealer)
832B	706336	Guard-Muffler	951	593039	Lever-Solenoid (Ready Start)	1040	698368	Plate-Trim
836	690367	Screw (#8-18 X .56)	958	698183	Valve-Fuel Shut Off	1040B	699852	Plate-Trim
842	691031	Seal-O Ring (Dipstick Tube)	964	799159	Cap-Connector (EVAP)	1044	698139	Screw (Flywheel)
847	790443	Dipstick/Tube Assembly (With Tube Connector)	965	499613	Cover-Oil Pump	1051	691265	Ring-Retaining
847A	790442	Dipstick/Tube Assembly	967B	797704	Filter-Pre Cleaner	1054	280275	Tie-Cable
850	100106	Sealant-Liquid (Rocker Cover Gasket and Breather Gasket) (Used After Code Date 07071800).	968B	591647	Cover-Air Cleaner (Black) (Compatible With Canister Style Filter)	1058	276344	Operator's Manual
851	692424	Terminal-Spark Plug	975A	699502	Bowl-Float (Nikki) (Used Before Code Date 16010400)	1059	698516	Kit-Screw/Washer
864	796002	Adapter-Muffler (Length 2.25 Inches)	975B	594867	Bowl-Float (Ruixing) (Used After Code Date 16010300).	1090	691293	Retainer-Brush
868	690968	Seal-Valve				1091	691333	Cap-Limiter
877	393456	Wire/Connector-Alternator (Dual Circuit)	994	794945	Arrestor-Spark	1095	794152	Gasket Set-Valve
877A	393814	Wire/Connector-Alternator	1005	796083	Fan-Flywheel	1119	691183	Screw (Alternator)
877D	790544	Wire/Connector-Alternator	1017	796981	Screen-Oil Pump (Push In)	1127	695407	Screw (Float Bowl)
878	398661	Harness-Alternator (Dual Circuit)	1022	272475s	Gasket-Rocker Cover (Use Liquid Sealant Reference 850)	1139	796449	Washer
878A	691955	Harness-Alternator (Tri Circuit)	1023	797421	Cover-Rocker	1263	697124	Reed-Breather
883	692236	Gasket-Exhaust	1024A	794644	Pump-Oil	1264	697104	Screw (Breather Reed)
914	691108	Screw (Rocker Cover)	1026	692003	Rod-Push (Intake)	1266	691917	Seal-O Ring (Intake Elbow)
918	791851	Hose-Vacuum (Fuel Pump)			----- Note -----	1266A	697123	Seal-O Ring (Intake Elbow)
943	690589	Seal-O Ring (Oil Pump Cover)	1027	696854	Filter-Oil (Premium Yellow)	1270	793243	Plug-AVS Counterweight
947A	699915	Solenoid-Fuel (Nikki) (Used Before Code Date 16010400)			----- Note -----	1319	794467	Label-Warning
					492932s Filter-OIL (Standard Black)	1448	690260	Washer (Magneto Armature)
					798576 Filter-OIL (Premium Orange)	1478	593037	Solenoid-Choke (Ready Start)
						1479	593041	Screw-Thread Forming (Ready Start)
						1479A	593042	Screw-Thread Forming (Ready Start)

Illustrations cover a range of engines. Parts shown without corresponding text may not be used on your specific engine.