

Submersible Fountain Pumps

DISCHARGE 1 3/4" (45mm) Hose Connection, 90° Rotation

LIQUID TEMPERATURE 145°F (63°C) Continuous

VOLUTE Brass ASTM A4, 85-5-5-5

INTERMEDIATE Brass ASTM A4, 85-5-5-5

HOUSING TUBE Stainless Steel

HOUSING END PIECE Brass ASTM A4, 85-5-5-5

SCREEN: *Design* Area, 264 sq. in. wrap around, 5/32" Dia. mesh
Material 304 Stainless Steel

PUMP SUPPORTS Brass

DIAPHRAGM Buna-N, Pressure Equalized

IMPELLER:
Design: 1/3 & 1/2HP..... Four Vane Open
3/4 & 1HP..... Six Vane Open
Material Brass ASTM A4, 85-5-5-5

SHAFT 416 Stainless Steel

O-RINGS Buna-N

HARDWARE 300 Series Stainless Steel

SEAL Single Mechanical, Carbon/Ceramic/Buna-N

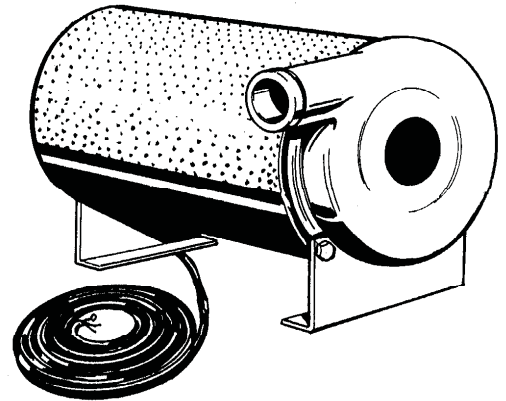
CABLE ENTRY 12 ft. (4m) Cord. Pressure grommet for sealing and strain relief

MOTOR END BEARING Single Row, Ball, Oil Lubricated

PUMP END BEARING Sleeve, Oil Lubricated

MOTOR: *Design* NEMA L, Oil Filled, Squirrel Cage Induction
Insulation Class A

SINGLE PHASE..... Permanent Split Capacitor (PSC)
Includes Overload Protection in Motor



Series: SFU
1/3 - 1HP, 3450RPM, 60Hz

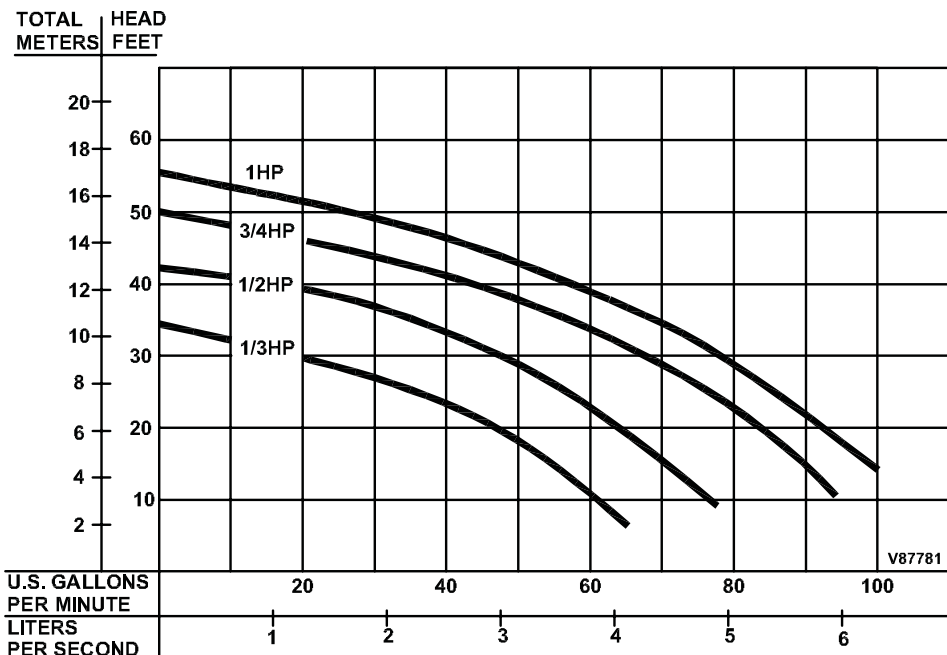


Underwriters Laboratories Inc.
File No. E142177



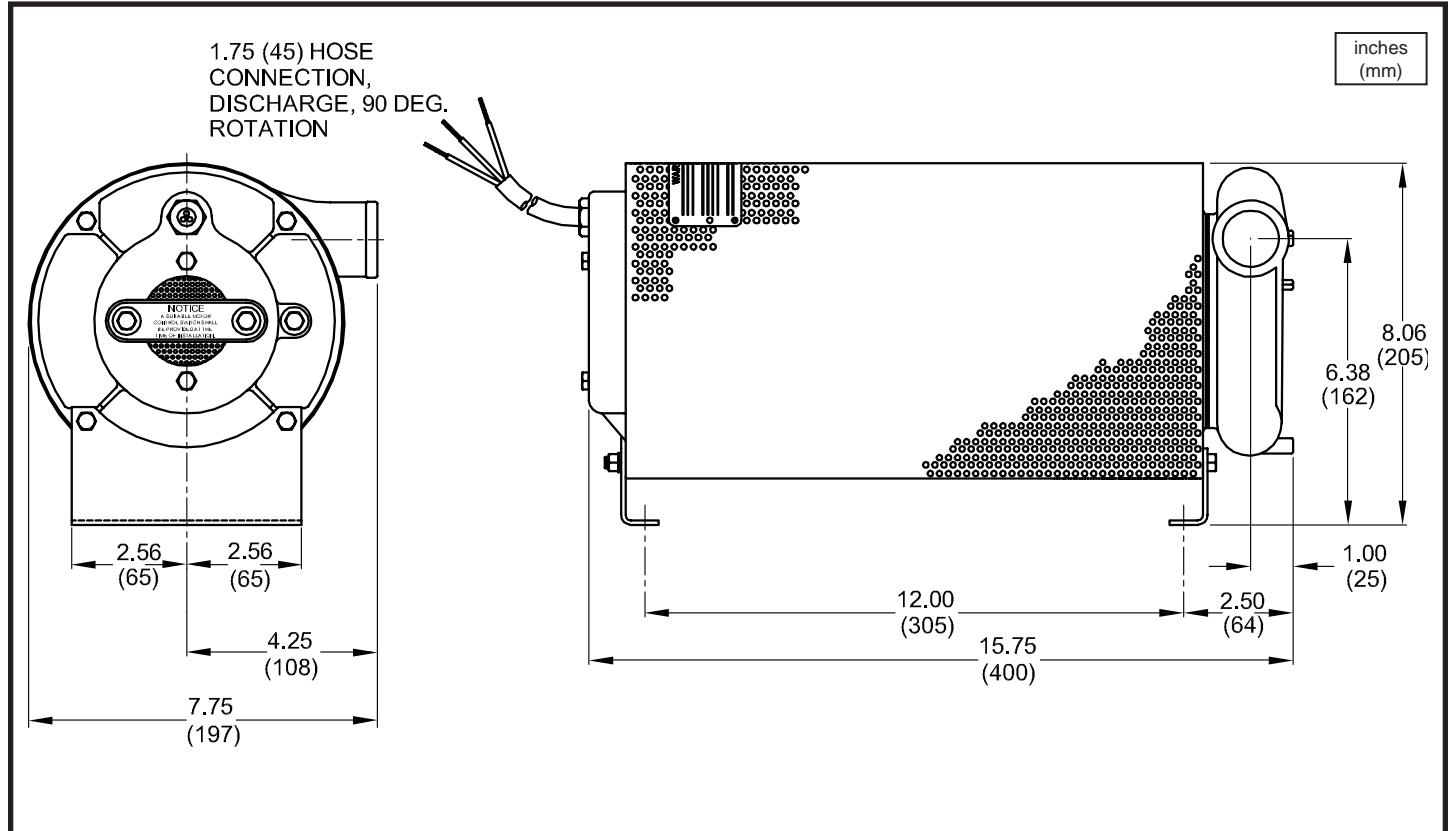
DESCRIPTION:

THESE PUMP ARE SPECIALLY DESIGNED FOR USE IN
DRAMATIC, DECORATIVE WATER DISPLAYS



Testing is performed with water specific gravity of 1.0 @ 68°F (20°C), other fluids may vary performance

Submersible Fountain Pumps



MODEL NO	PART NO	HP	VOLT/PH	Hz	RPM (Nom)	NEMA START CODE	FULL LOAD AMPS	LOCKED ROTOR AMPS	CORD SIZE	CORD TYPE	CORD O.D inch (mm)
SFU31	087781	1/3	115/1	60	3450	J	8.0	21.0	16/3	SOW	0.395 (10)
SFU51	087782	1/2	115/1	60	3450	E	9.5	21.0	16/3	SOW	0.395 (10)
SFU71	087783	3/4	115/1	60	3450	D	12.0	28.0	16/3	SOW	0.395 (10)
SFU102	087785	1	230/1	60	3450	E	7.0	21.0	16/3	SOW	0.395 (10)

IMPORTANT !

- 1.) THESE PUMPS ARE UL LISTED FOR PUMPING WATER. **DO NOT USE TO PUMP FLAMMABLE LIQUIDS.**
- 2.) SPECIAL SUCTION CHAMBER KEEPS MOTOR 2/3 SUBMERGED AT ALL TIMES FOR COOL OPERATION.
- 3.) MODIFICATIONS MAY AFFECT "UL" LISTING.
- 4.) INSTALLATIONS SUCH AS DECORATIVE FOUNTAINS OR WATER FEATURES PROVIDED FOR VISUAL ENJOYMENT MUST BE INSTALLED IN ACCORDANCE WITH THE NATIONAL ELECTRIC CODE ANSI/NFPA 70 AND/OR THE AUTHORITY HAVING JURISDICTION. THIS PUMP IS NOT INTENDED FOR USE IN SWIMMING POOLS, RECREATIONAL WATER PARKS, OR INSTALLATIONS IN WHICH HUMAN CONTACT WITH PUMPED MEDIA IS A COMMON OCCURRENCE.