

#### Sump & Utility Pumps

#### **BT12**

DISCHARGE .....3/4" G.H.T. Male, Vertical  
 PUMP HOUSING .....Plastic  
 MOTOR HOUSING .....Metallic  
 IMPELLER MATERIAL .....Rubber  
 CORD .....Power Cord, 8.5±.5  
 BEARINGS.....Permanently lubricated  
 SEAL .....High speed mechanical  
 COOLING FAN.....Zinc plated  
 ACCESSORIES INCLUDED.....Spare impeller, gasket, 6' hose, strainer

#### **BT50**

DISCHARGE .....3/4" G.H.T. Male, Vertical  
 PUMP HOUSING .....Cast Iron  
 MOTOR HOUSING .....Thermoplastic protected  
 IMPELLER MATERIAL .....Thermoplastic  
 CORD .....Power Cord, 9.5±.5  
 BEARINGS.....Permanently lubricated  
 SEAL .....High speed mechanical  
 COOLING FAN.....Zinc plated  
 ACCESSORIES INCLUDED.....Fittings, strainer, spare brushes

Barnes Transfer pumps are designed to handle a wide variety of pumping applications such as draining water heaters, charging polyglycol lines for radiant heating, pressure boosting, draining pool covers and dewatering flooded basements. Barnes Transfer pumps are constructed of durable materials and the BT12 *ONLY* includes a garden hose for convenient use.



#### **Series: BT12, BT50**

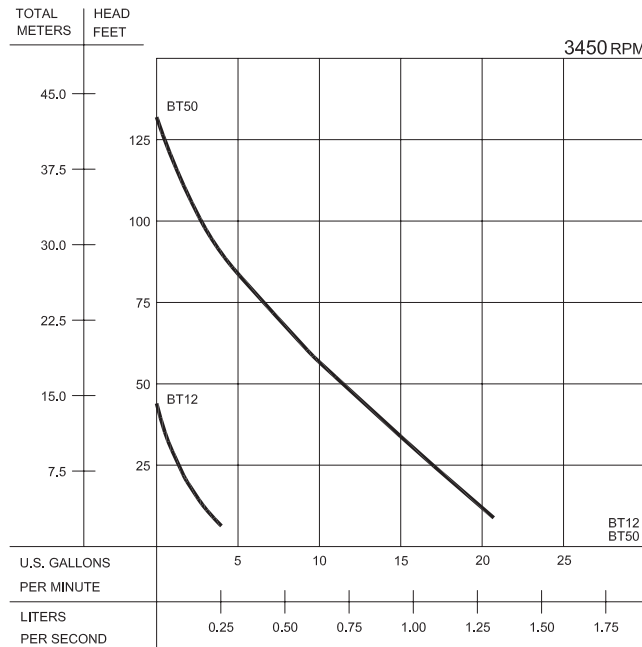
**BT12 - 1/12 HP, 3450RPM, 60Hz**

**BT50 - 1/2 HP, 3450RPM, 60Hz**



#### **DESCRIPTION:**

GENERAL PURPOSE PUMP FOR RESIDENTIAL AND DEWATERING APPLICATIONS.



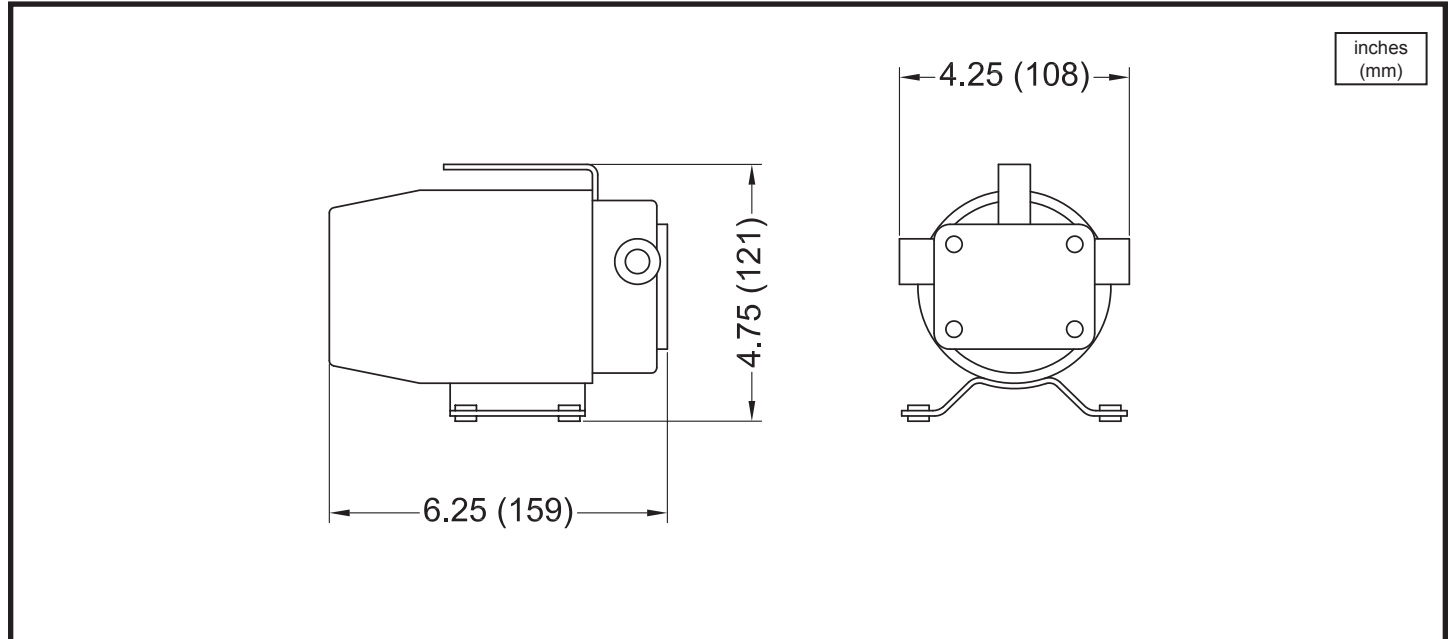
# Series BT12, BT50

Transfer Pumps

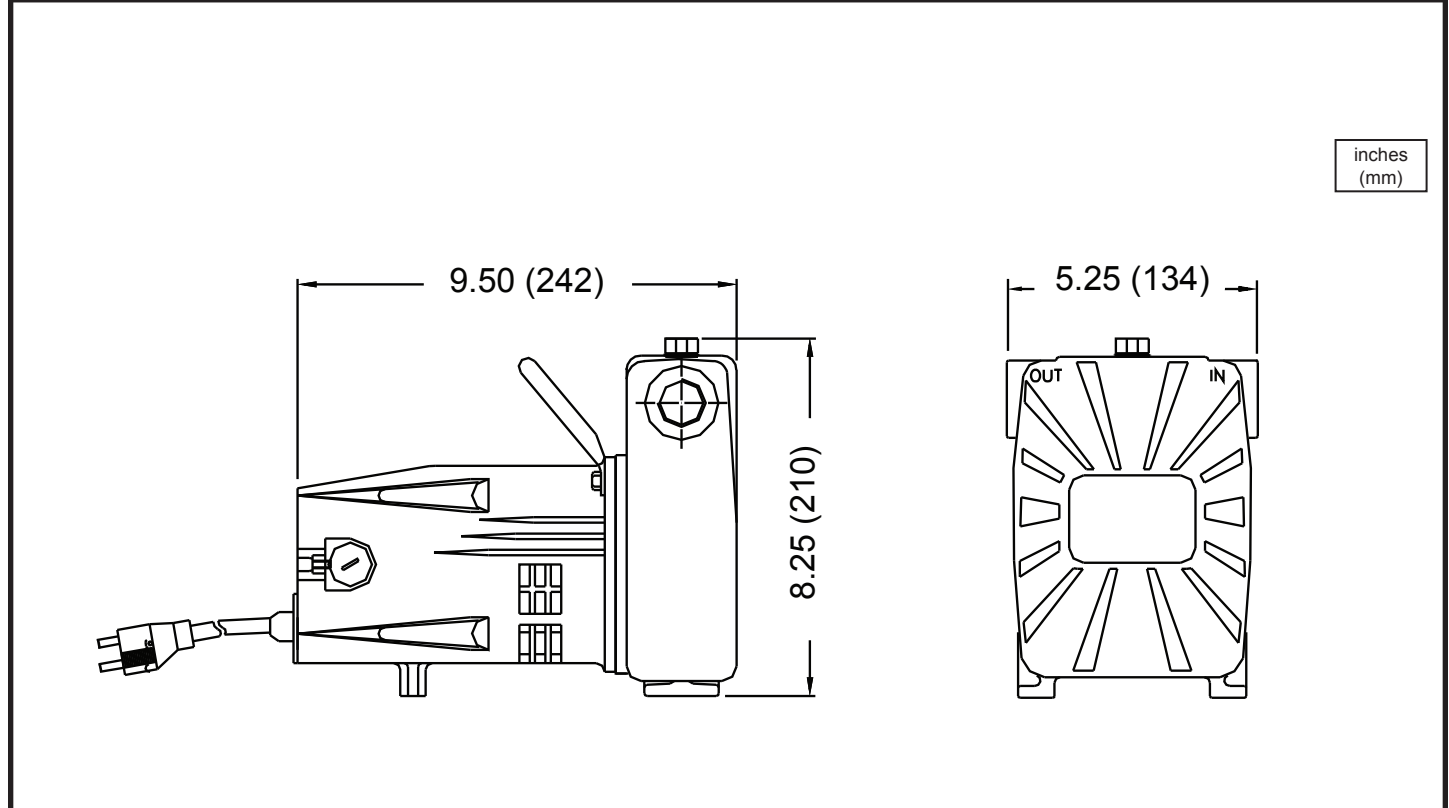
# BARNES®

www.cranepumps.com

## Sump & Utility Pumps



MODEL NO	PART NO	HP	VOLT	Hz	RPM (Nom)
BT12	134677	1/12	120	60	3450



MODEL NO	PART NO	HP	VOLT	Hz	RPM (Nom)
BT50	134678	1/2	120	60	3450

SECTION 1A  
PAGE 32  
DATE 10/13

**CRANE**®

A Crane Co. Company

**PUMPS & SYSTEMS**

USA: (937) 778-8947 • Canada: (905) 457-6223 • International: (937) 615-3598