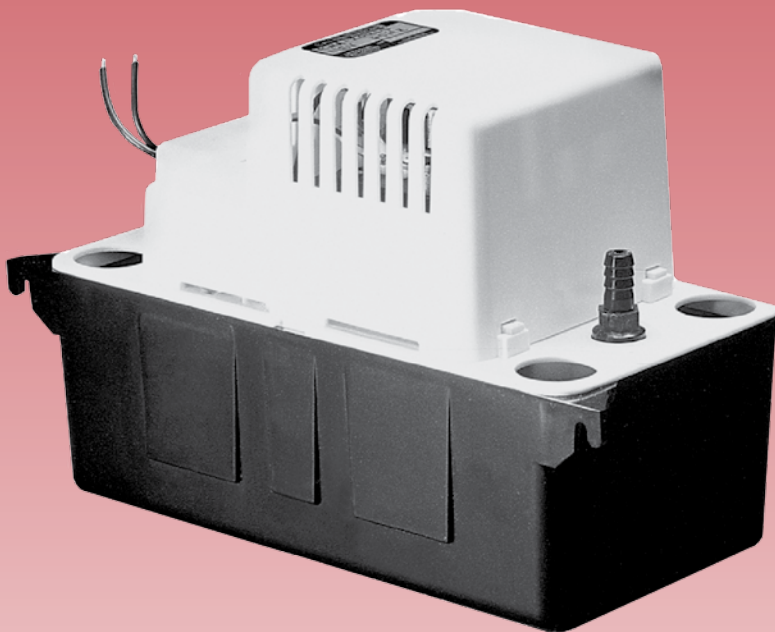


VCMA-20 Series



Applications

- Designed for automatic collection and removal of condensate from air conditioning, refrigeration and dehumidification equipment when gravity drainage is not possible or practical. Also suitable for high efficiency oil and gas-fired condensing furnace and condensing boiler equipment

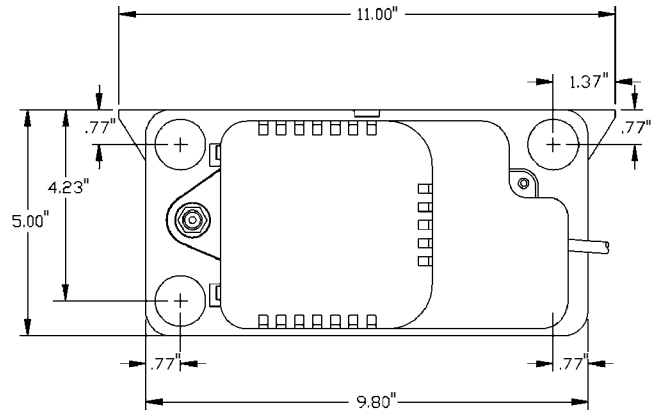
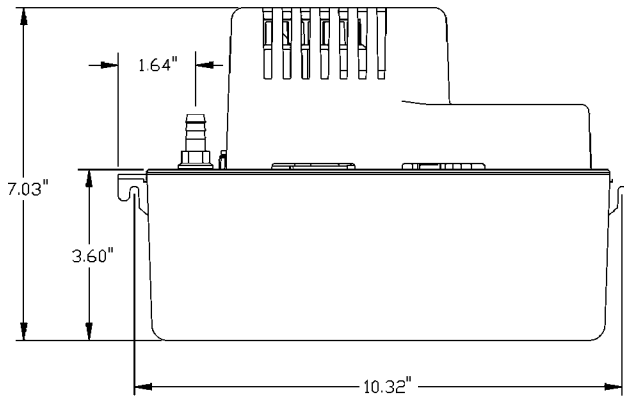
Features

- 1/2 gallon collection tank
- Vertical centrifugal pump design
- Automatic start and stop operation
- Some models equipped with float (solid polymer) activated switch for automatic high level water detection (safety overflow switch)
- For models with safety overflow switch: dual function NO and NC operation (set to NO from factory for equipment shut down connection)
- Models equipped with safety overflow switch include two 5" switch lead wires
- 3/8" O.D. barbed discharge adapter with built-in check valve
- Three 1-1/8" diameter inlet openings (two fitted with removable cap plug)
- Thermally protected, fan cooled motor
- Built-in wall mount tabs on tank
- Removable pump float locking tab for safety during transportation (remove at time of installation)
- Maximum water temperature: 140 °F
- 6 ft, 3-conductor cable with grounded 3-prong plug
- Some models include 20' x 3/8" I.D. vinyl discharge tubing

Construction

- Motor — 1/30 hp
- Discharge — 3/8" OD barbed
- Housing/tank cover — ABS
- Volute — ABS
- Tank — ABS
- Impeller — Glass filled polypropylene
- Check valve — Acetal

Engineering Data



Specifications

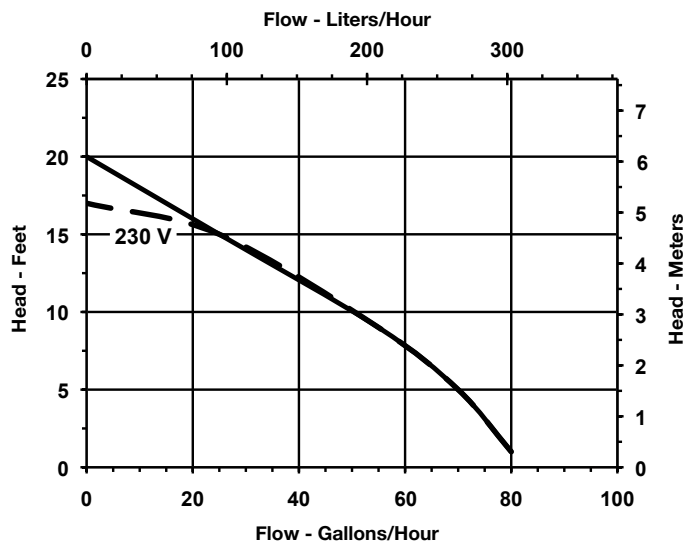
| Item No. | Model No. | Discharge Size | HP | Volts | Hertz | Amps | Watts | Performance (GPH@Head) | | | | Shutoff | | Cord Length (ft) | Weight (lbs) |
|----------|-------------|----------------|------|-------|-------|------|-------|------------------------|----|-----|-----|---------|-----|------------------|--------------|
| | | | | | | | | 1' | 5' | 10' | 20' | Ft | PSI | | |
| 554421 | VCMA-20UL | 3/8" OD Barbed | 1/30 | 115 | 60 | 1.5 | 93 | 80 | 70 | 48 | 0 | 20 | 8.7 | 6 | 5.00 |
| 554451 | VCMA-20UL | 3/8" OD Barbed | 1/30 | 230 | 50/60 | 0.5 | 75 | 80 | 70 | 48 | 0 | 17 | 7.4 | 6 | 5.00 |
| 554431 | VCMA-20ULT | 3/8" OD Barbed | 1/30 | 115 | 60 | 1.5 | 93 | 80 | 70 | 48 | 0 | 20 | 8.7 | 6 | 6.00 |
| 554425 | VCMA-20ULS | 3/8" OD Barbed | 1/30 | 115 | 60 | 1.5 | 93 | 80 | 70 | 48 | 0 | 20 | 8.7 | 6 | 5.00 |
| 554455 | VCMA-20ULS | 3/8" OD Barbed | 1/30 | 230 | 50/60 | 0.5 | 75 | 80 | 70 | 48 | 0 | 17 | 7.4 | 6 | 5.00 |
| 554435 | VCMA-20ULST | 3/8" OD Barbed | 1/30 | 115 | 60 | 1.5 | 93 | 80 | 70 | 48 | 0 | 20 | 8.7 | 6 | 6.30 |
| 554461 | VCMA-20ULST | 3/8" OD Barbed | 1/30 | 230 | 60 | 0.5 | 75 | 80 | 70 | 48 | 0 | 17 | 7.4 | 6 | 6.30 |

NOTE: GPH is through check valve.

Replacement Parts

| Item | Part Number |
|---------------|-------------|
| Tank | 154401 |
| Cover, motor | 154421 |
| Float arm | 154452 |
| Switch holder | 154471 |
| Switch | 950337 |

Performance Data



P.O. Box 12010
 Oklahoma City, OK 73157-2010
 Phone: 1.800.701.7894
 Fax: 1.800.678.7867
 www.LittleGiantPump.com