

Model: **TP4.0D**

Portable Pump

**KOHLER**<sup>®</sup>

**ISO 9001**  
KOHLER  
POWER SYSTEMS  
NATIONALLY REGISTERED



## The KOHLER Advantage

- **Built to Last Since 1920**

For over 90 years, hospitals, airports and military bases around the world have depended on KOHLER generators.

- **Premium Warranty**

You get our premium 3-year limited warranty backed by a network of more than 10,000 dealers.

- **Custom Kits**

Legs, handles, wheels, lifting kits - whatever you want, any way you want it.

- **Free Loaner Program\***

If your KOHLER generator ever goes down, just swing by one of our select dealers. We'll provide a free loaner unit for warranty repairs exceeding 24 hours.

## Standard Features

- **Long-Life**

No aluminum here – the volute & impeller are made of robust cast iron.

- **Protective Frame**

A 360-degree roll cage design.

- **Pro-Grade Engine**

Powered by a KOHLER<sup>®</sup> diesel engine, designed for professional-grade power.

- **Extra Engine Protection**

Oil Sentry™ automatically shuts engine down in low-oil conditions.

## Available Options

- Mobility Kit (2 Wheels, 4 Handles, Leg and Hardware)

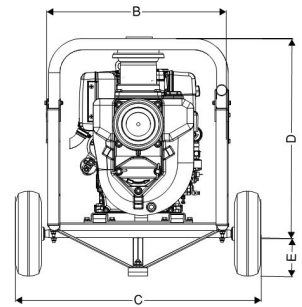
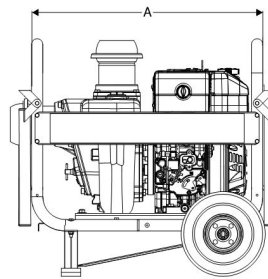
\* At participating dealers, based on availability.

## Specifications

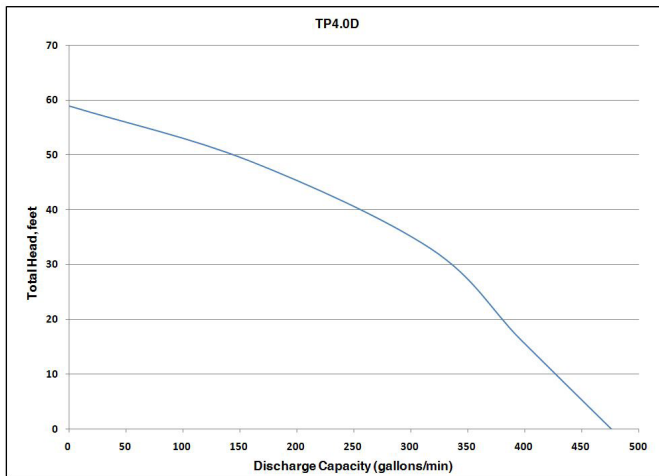
Model Name	TP4.0D
Pump Type	4 inch Diesel Trash Pump
Kohler Pump Spec	PA-TP40D-3001
Compliance	3001 (CARB/EPA/CSA)
Engine cc	349
Oil-Sentry™ (Low oil protection)	Yes
Suction Diameter in (mm)	4" NPT (101.6)
Suction Head Height ft (m)	26(8)
Total Head Height ft (m)	56 (17)
Flow Rate gal (L) per minute	476 (1800)
Impeller	Cast Iron
Seals	Silicone Carbide
Fuel Type	Diesel
Fuel Capacity	1.1gal (4.3L)
Run Time (hours)	4.3
Warranty-Commercial/ Industrial Use	3 Years
Warranty-Consumer/ Recreational Use	3 Years

## Dimensions and Weights

A mm (in.)	729 (28.7)
B mm (in.)	579 (22.8)
C mm (in.)	757 (29.8)
D mm (in.)	594 (23.3)
E mm (in.)	140 (5.5)
Dry Weight, lbs (kg)	198 (89.8)
Carton Length mm (in.)	754 (29.8)
Carton Width mm (in.)	604 (23.8)
Carton Height mm (in.)	632 (24.9)
Packaged Weight lbs (kg)	225 (102)



## Performance



NOTE: Dimensions are provided for reference only and should not be used for planning installation. Contact your local distributor for more detailed information.

**DISTRIBUTED BY:**