

INSTALLATION, OPERATION AND SERVICE MANUAL

LANCASTER 4" SUBMERSIBLE PUMPS

TWO AND THREE WIRE SINGLE AND THREE PHASE 1/2 THROUGH 7 1/2 H.P. 60Hz

CAREFULLY READ THE LITERATURE PROVIDED BEFORE INSTALLATION .

- **LANCASTER PUMP** recommends an experienced water-well serviceman to install new water systems or replace an existing submersible water-well pump or pump motor. This manual should be retained for future reference.
- **INSPECT THE NEW PUMP:** Occasionally, products are damaged during shipment. If the product is damaged, contact the transportation company or your dealer. Save the products packing materials until claim is settled. The package includes pump, motor, and motor leads (if your pump purchase includes a motor). **DO NOT** lift the submersible pump by its attached electrical motor leads. 1 1/4" N.P.T. discharge pumps will include either a built-in check valve or external mounted check valve with the discharge head. 2" N.P.T. discharge pumps do not include a check valve, but a check valve is required and must be purchased separately. Three-wire, single phase pumps must use a control box properly matched to the pumps motor. Make sure that your available voltage corresponds to that of your motor.
- **SAFETY INSTRUCTIONS:**
 1. **WARNING - HAZARDOUS PRESSURE.** Submersible pumps can develop extremely high pressure. Install a pressure relief valve capable of passing entire pump flow at 75 PSI. Do not allow pump, pressure tank, piping or any other system component containing water to freeze. Freezing may damage system, leading to injury or flooding.
 2. **WARNING - HAZARDOUS VOLTAGE.** Voltage can shock, burn or cause death. Install, ground and wire pump according to local and national electrical code requirements that apply. Disconnect electrical power supply before installing or servicing pump. Make sure electrical power supply matches motor electrical rating. A qualified electrician is recommended.
 3. Install pump according to all plumbing, pump and well code requirements.
 4. Test well for purity before using well. Call your local health department for testing requirements.
 5. During installation, keep well covered as much as possible to prevent leaves and foreign matter from falling into well.
 6. Pipe joint compound can cause cracking in plastics. Use only Teflon tape when sealing threads in plastic pipe or connecting pipe to thermoplastic pumps.

INSTALLATION RECORD. Record the following information for future reference:

Date of installation _____	Well Inside Diameter (in.): _____
*Pump Model No. _____	Depth of Well (ft.): _____
*Pump Serial No. _____	Depth to water (ft.): _____
*Motor Model No. _____	Depth to pump (ft.): _____
*Motor Serial No. _____	Well recovery rate (GPM): _____
*Motor: _____ H.P. _____ Volts _____ Ph _____ Amps (SFA)	Between well cap & house: _____ ft. horizontal offset
Control Box (3 Wire, 1Phase only): _____ H.P. _____ Volts	_____ ft. elevation
Power Supply _____ Volts _____ Ph _____ Hz	Drop pipe size: _____
Pressure Switch (PSI) Cut-in _____ Cut-out _____	Wire size (pump to control box): _____
	Wire size (control box to power source): _____

* This information is found on the pump or motor

PRE-INSTALLATION PREPARATION:

**CAUTION: DO NOT run pump dry. Pump can be severely damaged if run dry.
The pump has been factory tested with the same motor assembled to it.
For safe testing, wait until pump is wired, grounded and completely submerged.**

THE WELL:

Pump performance is based on pumping clear, cold water with no entrained air. The well driller should properly develop the well, i.e. pump out all fine sand, dirt and foreign matter, before pump is installed. The location of the well should provide for easy removal and replacement of the pump. The water tank and electrical controls can, of course, be located some distance from the well. Determine the depth of the pump in the well, using the well drillers record, taking into account the static water level and the drawdown at the proposed pumping rate. Keep the pump at least five feet from the bottom of the drilled well.

ELECTRICAL CABLE:

Determine the depth of the pump in the well in order to purchase electrical cable of sufficient gauge and length to reach from pump motor to electrical power supply. Properly sized copper wire from service to motor will avoid over-heating wire and excessive voltage drop at the motor. Consult dealer or electrician.

DROP PIPE:

Determine the depth of the pump in the well in order to purchase pipe of sufficient length to reach from pump discharge to water tank.

Galvanized pipe is recommended for suspending all submersible pumps into the well, although it is used mainly for high capacity, high head pumps. Requires a power lift and pipe holder for installation and removal. Since galvanized pipe is rigid, problems due to starting torque are not present.

Rigid PVC plastic pipe is installed in lengths as is galvanized pipe. Easier to handle due to light weight. Safety rope is recommended if cement type couplings are used. Often used on high capacity, medium to low head pumps.

Flexible polyethylene pipe is most commonly used on domestic size pumps. **Plastic pipe manufacturers recommendations of depth and pressure must be observed. Pressure rating must be greater than maximum pressure of pump.** Pipe should be double clamped with all stainless steel clamps. Safety rope to prevent loss of pump recommended. A torque arrestor is recommended just above pump to prevent chafing of electrical cable when pump and pipe twist during the starting and stopping cycle.

CHECK VALVES:

The pump may have a built-in or externally supplied check valve. For a pump without one, install a spring-loaded check valve immediately above the pump. Install an additional spring-loaded check valve above ground. If the pump is more than 100 feet below the well head, install another spring-loaded check valve in the drop pipe 100 feet above the pump. For pump setting deeper than 200 feet, install additional spring-loaded check valves at intervals of 100 feet. DO NOT use swing type check valves because they have a slower reaction time and can cause water hammer.

LOCATION OF WATER TANK & ELECTRICAL CONTROLS:

Always install the pressure tank and electrical controls in a clean, dry basement or utility room to avoid dampness and temperature extremes. In any installation where the pump pressure could exceed the water storage tank pressure, provide a pressure relief valve piped to a suitable drain.

LIGHTNING ARRESTORS:

Lightning arrestors are recommended for every installation. All 4" single phase motors thru 5 HP have built-in lightning arrestors, indicated on the motor frame label. Franklin 4" three phase "super stainless" motors thru 3 HP, 200 and 230 volt only, have built-in lightning arrestors, indicated on the motor frame label. All other three phase motors require a separate lightning arrestor installed as close to the wellhead as possible. Install the arrestor in accordance with manufacturers recommendations. A lightning arrestor provides protection against induced voltage surges on secondary power lines; **it is not effective against direct hits. The arrestor must be grounded, metal to metal, all the way to the water strata, for it to be effective. Grounding the arrestor to a driven ground rod provides little or no protection for the motor.** Many present-day electrical codes require a ground wire from the pump to the supply grounding terminal. When this ground wire is used, the above-ground arrestor can be grounded acceptably by connecting to it.

INSTALLATION

SPLICING THE POWER CABLE:

Follow the instruction enclosed in the cable splicing kit you purchase.

ROTATION (3 Phase Only):

To make sure motor is running in the right direction, test run the pump **before installation** carefully as follows: After electrical connections have been made (see Fig. 5), brace pump casing securely and apply power **momentarily** by snapping line switch quickly on and off. If rotation is correct, reaction of the pump casing will be clockwise when viewed from the pump discharge, i.e. the pump will jerk clockwise when looking into the pump discharge when started. If the pump jerk is counter-clockwise, this means the motor is running in the wrong direction. Interchange any two cable leads where they connect to the "T" terminals in the magnetic starter to reverse rotation. A three phase submersible motor requires a magnetic starter equipped with **quick-trip, ambient-compensated** overloads (heaters) of correct size for the horsepower of the motor. Consult dealer or electrician.

**CAUTION: DO NOT run pump dry other than momentarily as described above.
Pump can be severely damaged if run dry.**

WARNING - IMPORTANT ELECTRICAL GROUNDING INFORMATION:

1. To reduce the risk of electrical shock from metal parts of the installation other than the pump, bond together all metal parts accessible at the well head (including metal discharge pipe, metal well casing, etc.). Use a metal bonding conductor at least as large as the power cable conductors running down the well to the pump's motor.
2. Clamp or weld (or both) this bonding conductor to the grounding means provided with the pump, which will be the equipment-grounding terminal, the grounding conductor on the pump housing or an equipment-grounding lead. The equipment-grounding lead, when provided, will be the conductor having green insulation.
3. Ground the pump, motor and any metallic conduit that carries power cable conductors. Ground these back to the service by connecting a copper conductor from the pump, motor and conduit to the grounding screw provided within the supply-connection box wiring compartment. This conductor must be at least as large as the circuit conductors supplying the pump.

BEFORE LOWERING PUMP INTO WELL:

1. Smooth out any rough spots or edges on the top lip of the well casing with a hammer or metal file to prevent damage to the pump or power cables, when lowering into well.
2. Make sure a check valve is installed (built-in or externally mounted just above pump).
3. Install a torque arrestor just above the pump to prevent chafing of cable when pump and pipe twist during starting and stopping.
4. Attach a brass or stainless steel male adaptor to the top end of pump/check valve and tightly clamp/band PVC or flexible polyethylene pipe to the adaptor.
5. To prevent losing pump down the well, connect a safety rope strong enough to support pump and drop pipe (minimum ¼" twisted polypropylene rope) to eyelet on pump discharge or male adaptor. Tie off other end of safety rope, securely to well seal, well cap or pitless adaptor.
6. Clamp or tape (industrial grade PVC electrical tape) power leads to plastic pipe within 6" of the pump discharge, leaving 4"-5" of slack in leads at this point, to allow for stretching of pipe when installed in well.
7. Clamp or tape (industrial grade PVC electrical tape) power cables and safety rope to the pipe every 10', straight up from the bottom to top. DO NOT spiral cable around the pipe. DO NOT allow any excess cable between bands; cable must be as flat against pipe as possible.

LOWERING PUMP INTO WELL:

1. Take care when beginning to lower pump down the well casing. DO NOT let the pump, cables or pipe rub against the well casing. DO NOT let the cable insulation drag or scrape over the top lip of the casing.
2. Lower the pump into the well slowly without forcing. Use a foot clamp to hold galvanized or PVC pipe while connecting the next length of pipe and taping the power cables and rope. As you add sections of galvanized or PVC pipe, apply sealant only to the male threaded ends of each section and tighten to next section. NEVER allow pump cable to support weight of pump.
3. Install additional spring-loaded check valves at 100' intervals to prevent water shock from traveling back to pump.
4. Lower pump at least 10' below the maximum drawdown of the water level, if possible, and never closer than 5' from the bottom of the well.
5. When a well seal is used, install a coupling, elbow or tee on the top end of the last vertical length of pipe and allow the fitting to rest on the outside of the well seal to support the pipe, power cables, safety rope and pump. Most well seals have a fitting to seal the power cables, but if no such fitting is provided, conduit must be used to protect cables and prevent water and foreign matter from leaking into well around cable.
6. In installations where the pipe from the well seal to the water tank is subject to frost or freezing conditions, a pitless installation is recommended (see Fig.1).
7. Use an ohmmeter to make insulation and continuity checks on the cable after the pump is installed. This locates any fault in the cable.

CONNECTING PRESSURE SWITCH & POWER CABLES:

Employ a licensed electrician to do the wiring.

All wiring must be done in accordance with applicable national and local electrical codes.

Refer to either Fig. 2, 3, 4 or 5 for typical installation wiring diagrams.

Power supply is wired directly from the main switch to a separate fused disconnect switch. Consult electrician or dealer for correct circuit breaker or fuse amp rating.

- All single phase motors are automatically protected against overload damage by built-in thermal control element.
- Three phase motors require a magnetic starter equipped with three-leg protection having quick-trip, ambient compensated overloads (heater) of correct size for the horsepower of the motor. Consult dealer or electrician.

Use an ohmmeter to make continuity and insulation checks after the installation is complete.

NOTE: For three (3) wire single phase pumps, connect the three (3) colored wires of the pump cable to the matching black, red and yellow terminals of the motor control box, i.e. always connect like colors.

For two (2) wire single phase pumps, connect pump cables directly to load terminals of the pressure switch (color matching is not necessary).

NOTE: Refer to Pre-installation Preparation section of this manual for information regarding **lightning arrestors**.

INITIAL START-UP:

CHECK THE PUMP AND WELL PERFORMANCE BEFORE MAKING FINAL CONNECTION TO TANK.

1. With all electrical connections complete and pump now lowered to desired depth, install a gate valve in the discharge pipe near well for preliminary test run. Partially open the valve.
2. Turn on power to start the pump.
3. Open valve gradually to give full flow.
4. If the water is not clear, let the pump run until water clears. If water does not clear in 30 minutes, stop pump and take necessary steps to correct the condition. After the water has appeared clear, check for sand by discharging into a clean bucket.
5. Close valve until maximum required systems flow rate is obtained. Ensure that the pump does not lower the water in well to a point where the pump loses prime.
6. Remove gate valve for permanent installation to tank.

CONNECTING TO PRE-CHARGED TANK:

See Fig. 1 for installation diagram.

1. Check air pre-charge in tank before starting pump. Adjust pre-charge to 2 PSI below pump cut-in setting.
2. The pressure tank should be as close as possible to the pressure switch. Connect all piping as shown in diagram.
3. Start pump. Pressure in tank will build up to cut-off pressure of pressure switch setting. The system should now operate automatically.

CONTROLLING WEAK WELLS:

A weak (low-yielding) well exists when the output rate from the pump is greater than the recovery rate (yield) of the well. It can lower the water level in the well to the pump suction screen, causing a mixture of air and water to enter the pump. Pumping may stop because the pump cannot generate pressure with insufficient water. If this occurs, the column of water already in the drop pipe holds the pumps check valve closed and an airlock may develop inside the pump. An airlock inside the pump creates **inadequate** lubrication and cooling for the pump stages and motor. Damage can result if the power is not cut off quickly. Use one or more of the following methods to correct and/or protect this installation:

1. If possible, install additional length of drop pipe to place pump lower in the well.
2. Install a PUMPSAVER electronic motor load sensing device.
3. Remove the pump "built-in" or external mounted check valve, and install a spring-loaded check valve 5 to 10 ft. maximum above the pump discharge. Moving the check valve this distance above the pump provides a column of drop pipe for air to escape to as the pump attempts to prime after well recovery.
4. Install a Dole flow control in the discharge pipe before (upstream from) the pressure switch and tank. This restricts the output rate from the pump, delivering a constant capacity regardless of pump discharge pressure and rate of water drawn from the pressure tank. The usual way to determine what size of flow control to use is to throttle the discharge gate valve to a capacity that the well will yield without drawing down. After pump has operated at this capacity for a sufficient time to be sure it is suitable, measure the flow in gallons-per-minute and select a flow control size nearest to this capacity. A tank with larger draw-down capacity (gallons) should be considered for more water storage.
5. Install a pump with a lower flow rating to avoid over pumping the well. Have the dealer size pump to the well yield.
6. A low-pressure cut-off switch may be considered, but only for shallow wells. Low-pressure cut-off switches detect loss of pressure at the surface (at the pressure tank), but an air lock could have already formed inside the pump deep down the well.

INSTALLATION IN LAKE, POND, STREAM OR FOUNTAIN:

A submersible pump is usually isolated at the bottom of a well, where electrical leakage from its motor and cable present no hazard to life. This natural protection is lost when you install it in a lake, pond, stream or fountain since there is no way to prevent people and livestock from entering or touching the surrounding water. **We strongly recommend that such an installation be done by a licensed electrician in conformance with all national and local electrical codes.**

Grounding as instructed previously in this manual is a minimum requirement, and a ground fault circuit interrupter should be considered. If there are no explicit national or local regulations, ask the local electric utility company for guidance. The pump is designed to be mounted in the vertical, motor "shaft-up" position. If the pump must be mounted "shaft-horizontal", support the pump from the shore or bottom, with the shaft up 15° from the horizontal, for proper motor bearing lubrication, and also reduce the number of starts to less than 10 per 24 hr. period to maintain normal motor thrust bearing life expectancy. Use an external spring-loaded check valve on the pump discharge connection (internal non-spring-loaded pump check valves are only useful for vertical installations) Shield the pump from direct physical contact. Protect pump intake from blockage by leaves and weeds, but remember that the pump needs adequate flow over the motor for proper cooling. A flow inducer sleeve should be used in any open body of water. Consult factory. Furthermore, always protect the entire underwater installation from water currents, ice, boats, anchors, debris, etc..

FIGURE 1- INSTALLATION DIAGRAM

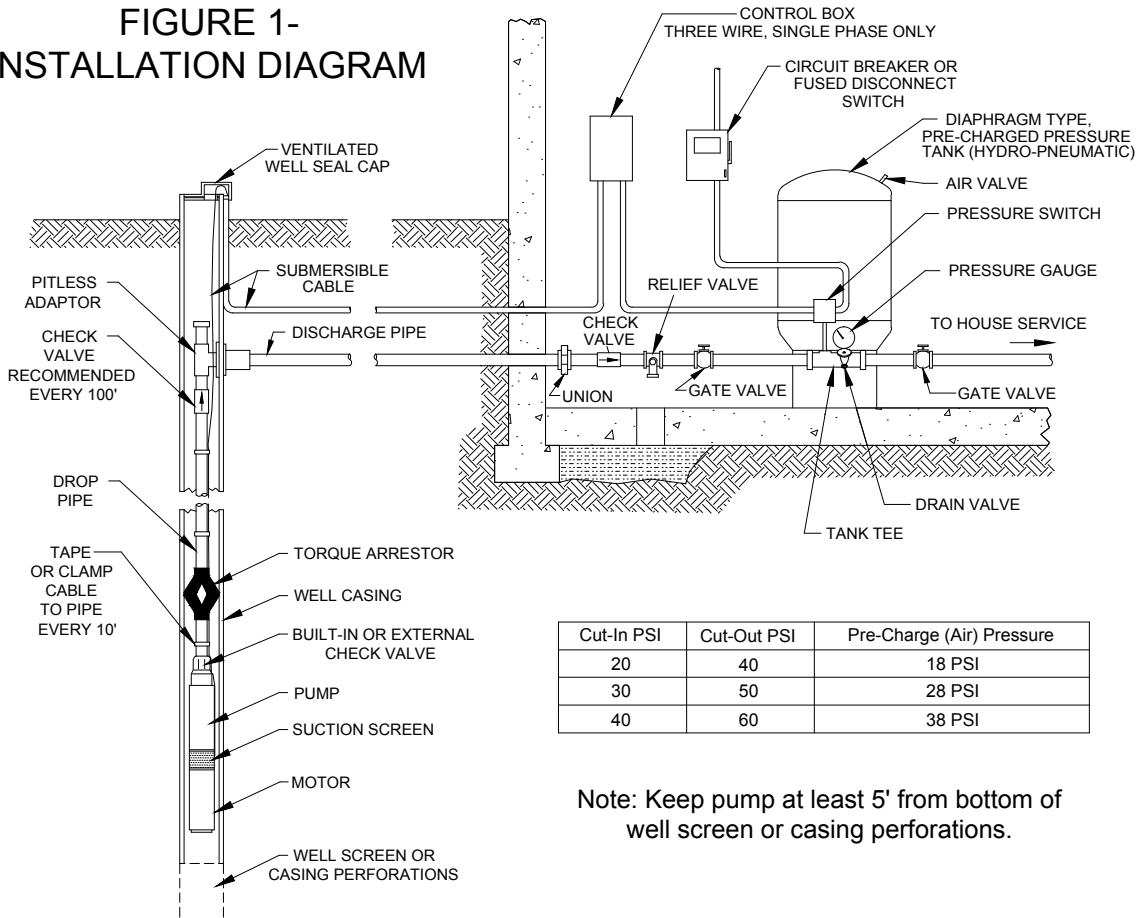


FIGURE 2 - WIRING DIAGRAM SINGLE PHASE - TWO WIRE 1/2, 3/4, 1 or 1-1/2 HP

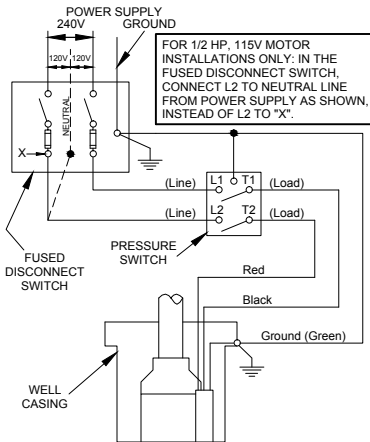


FIGURE 3 - WIRING DIAGRAM SINGLE PHASE - THREE WIRE 1/2, 3/4, 1 or 1-1/2 HP STANDARD CONTROL BOX

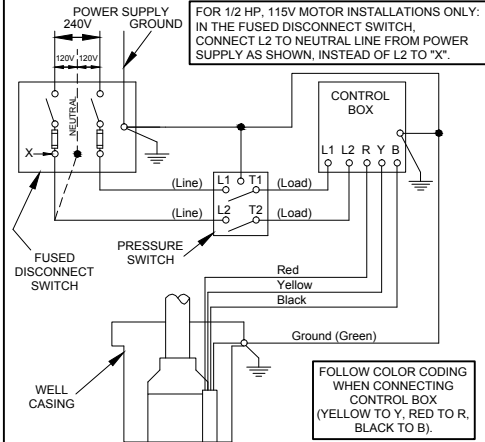


FIGURE 4 - WIRING DIAGRAM SINGLE PHASE - THREE WIRE 2, 3 or 5 HP DELUXE CONTROL BOX

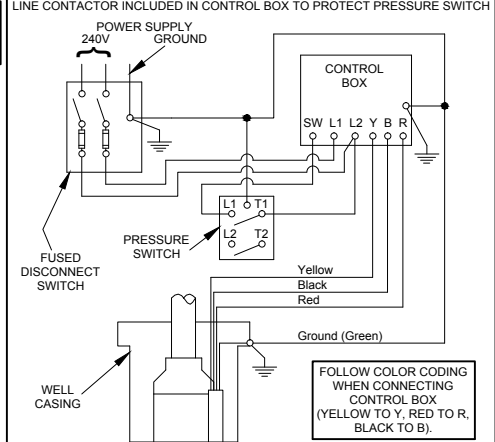
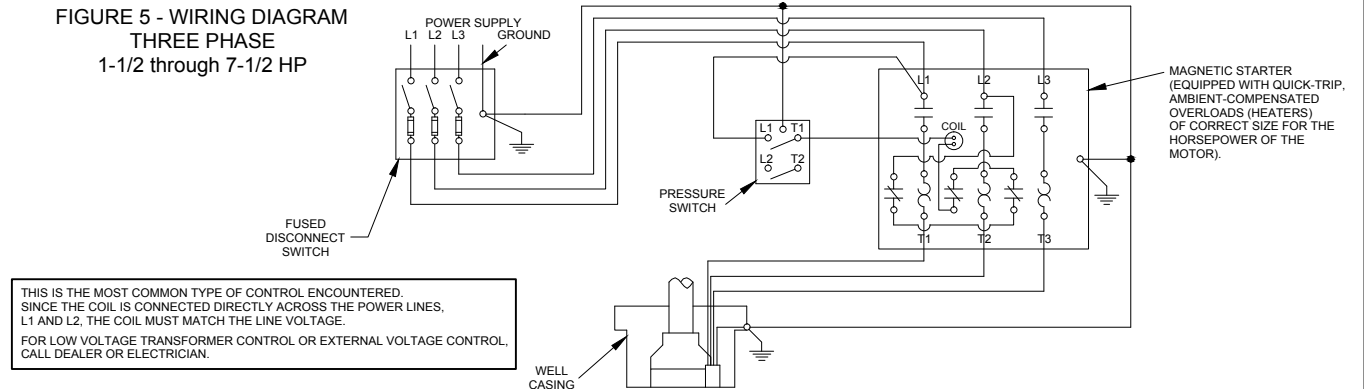


FIGURE 5 - WIRING DIAGRAM THREE PHASE 1-1/2 through 7-1/2 HP



TROUBLE SHOOTING

PROBLEM	POSSIBLE CAUSE/SOLUTION
PUMP DOES NOT START:	<ol style="list-style-type: none"> 1. No power. Check voltage at line terminals. The voltage must be $\pm 10\%$ of rated voltage. Contact power company if voltage is low. 2. Fuses blown or circuit breakers tripped. Check fuses for recommended size and check for loose, dirty or corroded connections in fuse receptacle. Check for tripped breakers. Replace with proper fuses or reset circuit breaker. 3. Defective pressure switch. Check voltage at contact points. Improper contact at switch points can cause voltage less than line voltage. Replace pressure switch or clean points. 4. Control box malfunction (3-Wire, single phase only). Call dealer or electrician for repair or replacement. 5. Defective wiring. Check for loose or corroded connection or incorrect wiring. See wiring diagram. 6. Defective cable or motor. Splices bad. Call dealer or electrician. 7. Electronic motor load sensing device (drawdown protection) has pump turned off (if installed). 8. Reset low pressure cutoff switch (if installed).
PUMP STARTS BUT OVERLOAD PROTECTOR TRIPS OR FUSES BLOW:	<ol style="list-style-type: none"> 1. Wrong size fuse or circuit breaker. Call dealer or electrician for recommended size. 2. Wire size too small. Call dealer or electrician. 3. Control box malfunction (3-wire, single phase only). Call dealer or electrician for repair or replacement. 4. Incorrect voltage. Check voltage at line terminals. Voltage must be $\pm 10\%$ of rated voltage. 5. Defective wiring. Check for loose or corroded connections or incorrect wiring. See wiring diagram. 6. Defective cable or motor. Splices bad. Call dealer or electrician. 7. High ambient (atmospheric) temperature. Check temperature of control box. The box must not be hot to touch. Direct sunlight or other heat source can raise temperature of box causing protectors to trip. Shade box, provide ventilation or move box away from heat source. 8. Pump or motor stuck or binding. Pump may be sand bound. Amp readings will be 3 to 6 times higher until the overload trips. If necessary, remove pump from well (make all possible above ground checks first). If pump is locked, replace it. Clean well of all sand before reinstalling pump.
PUMP STARTS TOO FREQUENTLY:	<ol style="list-style-type: none"> 1. Pre-charged tank water-logged (loss of air pressure). Adjust air pressure to 2 PSI less than cut-in pressure (when there is no water pressure on system). Check tank for leaks. Must be air and water tight. Replace if necessary. Is tank sized too small to meet system requirements? 2. Defective pressure switch or switch out of adjustment. Re-adjust or replace pressure switch. Pressure switch should be located as close to the tank as possible. 3. Check valves leaking. Damaged or defective check valve will stick open and leak back. Replace if defective. 4. Leak in system. Tank losing pressure through leaking plumbing fixtures. Check all above-ground piping for leaks. If none, pull pump and check all pipe connections and connection of pipe to pump.
PUMP RUNS CONTINUOUSLY:	<ol style="list-style-type: none"> 1. Pressure switch may have welded contacts. Switch may be out of adjustment. Clean contacts, replace switch or adjust setting. 2. Low water level in well. Pump may exceed well capacity. Pump may be air-locked. Refer to "controlling weak wells" information in the installation section of this manual. 3. Leak in system. Check system for leaks. Replace damaged pipe or repair leaks. 4. Worn pump. Symptoms of a worn pump are similar to those of drop pipe leak or low water level in well. Reduce pressure switch setting, if pump shuts off worn pump may be the fault.
PUMP DELIVERS LITTLE OR NO WATER:	<ol style="list-style-type: none"> 1. Pump not submerged in water. Low water level in well. Pump may be air-locked. Refer to "controlling weak wells" information in the installation section of this manual. 2. Check valve installed backwards. Reverse and re-install. 3. Check valve stuck closed. Replace if defective. 4. Pump intake screen blocked. Pump in mud. Pump impellers partially clogged or plugged. Pull pump and clean. Raise pump if necessary, i.e. reset pump depth. 5. Setting too deep for rating of pump. Call dealer, check pump rating table. 6. Piping might be split and leaking. 7. Low voltage. Wire size too small. Call dealer or electrician. 8. Incorrect rotation (3 phase only). Call dealer or electrician. Refer to "rotation" information in the installation section of this manual. 9. Worn pump.