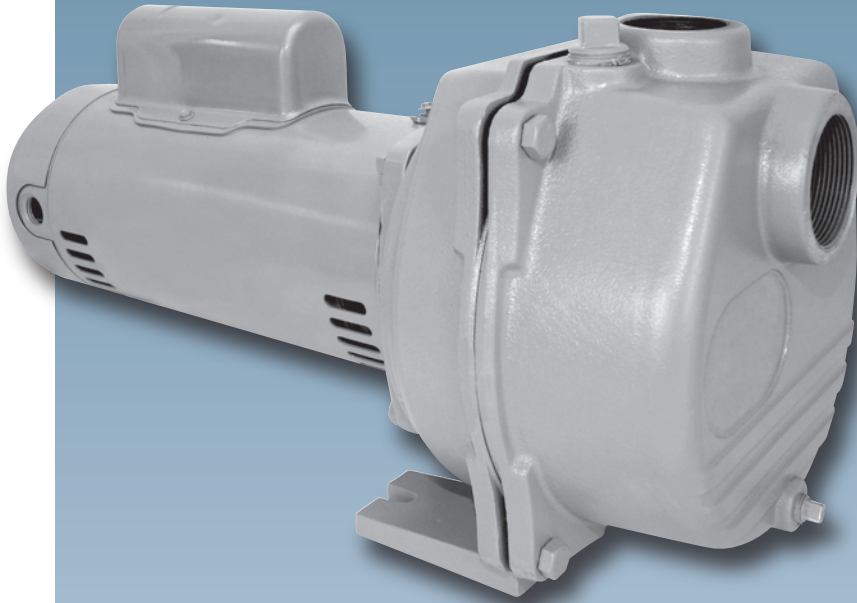


# Water Systems

## Lawn Sprinkler Pumps



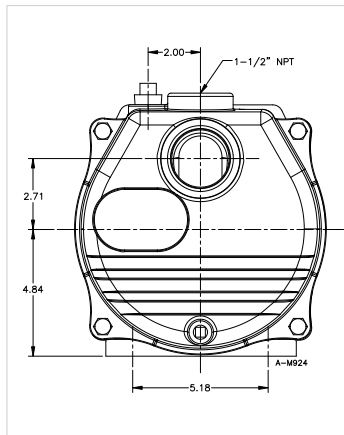
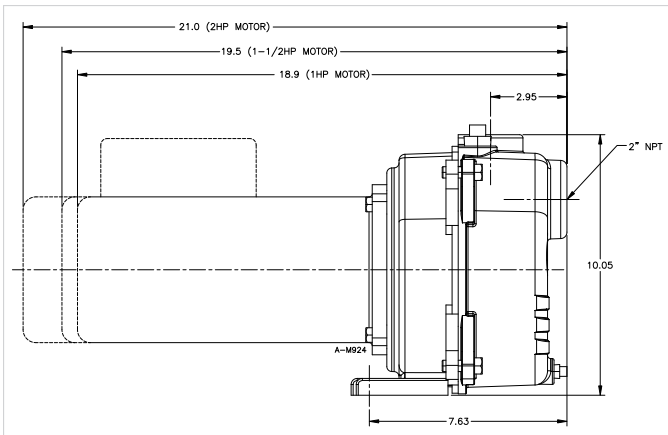
### Applications:

- Ideal for both residential and commercial lawn and turf sprinkler systems, irrigation, gardens and general water transfer

### Features:

- Self-priming
- Cast Iron casing and seal plate for durability and long life
- A.O. Smith higher than standard NEMA service factor dual compartment motor
- Single-phase capacitor start
- Standard 5/8" rotating mechanical seal, for a reliable seal against water leakage
- Dual voltage 115/230V
- 2" NPT suction, 1-1/2" NPT discharge
- Priming plug to facilitate priming
- Drain plug for easy drainage of pump
- Fully serviceable with two-year warranty

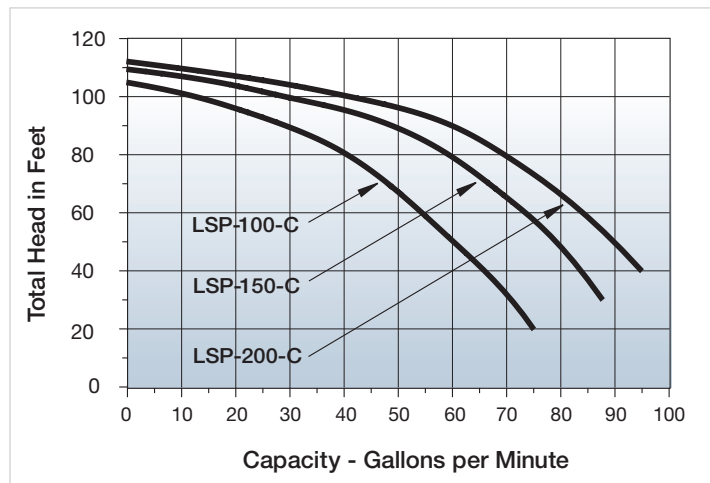
## Dimensional Outlines:



## Specifications:

Item #	Model	HP	Pump Capacity GPM (LPM) Discharge Pressure in PSI @ 5' (1.5 m) Lift				Maximum Pressure
			10	20	30	40	
558294	LSP-100-C	1	72 (272.5)	62 (234.7)	46 (174.1)	20 (75.7)	46 (3.3kg/cm <sup>2</sup> )
558295	LSP-150-C	1-1/2	90 (340.7)	80 (302.9)	64 (242.3)	40 (151.4)	47 (3.3kg/cm <sup>2</sup> )
558296	LSP-200-C	2	97 (367.2)	90 (340.7)	74 (280.1)	47 (177.9)	48 (3.4kg/cm <sup>2</sup> )

## Performance:



P.O. Box 12010  
 Oklahoma City, OK 73157-2010  
 Phone: 1.800.701.7894  
 Fax: 1.800.678.7867  
 www.LittleGiantPump.com

©2008 Franklin Electric Co., Inc.  
 Little Giant® is a registered trademark of Franklin Electric Co., Inc.  
 Form 995261 1/08

**Little GIANT**  
 Pumps. People. Partnerships.