



Franklin Electric

# WSP/LSP Self-Priming Sprinkler Pump

## OWNER'S MANUAL

### SAFETY WARNINGS



BEFORE OPERATING OR INSTALLING THIS PUMP, READ THIS MANUAL AND FOLLOW ALL SAFETY RULES AND OPERATING INSTRUCTIONS.

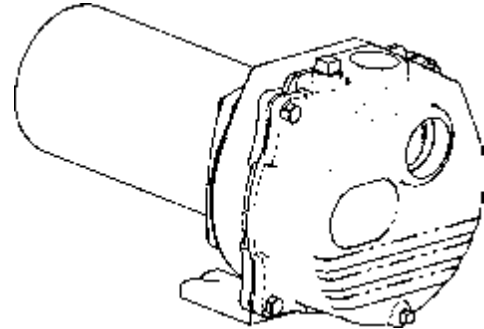
**SAFETY** CAREFULLY READ THE SAFETY MESSAGES IN THIS MANUAL AND ON PUMP.

#### CAUTION

- **DO NOT OPERATE THIS PUMP DRY!**
- Review instructions before operating.

#### WARNING - ELECTRICAL PRECAUTIONS

All wiring, electrical connections, and system grounding must comply with the National Electrical Code (NEC) and with any local codes and ordinances. Employ a licensed electrician. For non-thermally protected motors use with approved motor control that matches motor input in full load amperes with overload element(s) selected or adjusted in accordance with control instructions.



#### FOR DUAL VOLTAGE MOTORS:

Voltage change instructions are located on motor label or on wiring access cover.

#### WARNING - RISK OF ELECTRICAL SHOCK

- Have an electrician provide electrical power to the motor.
- Motor must be grounded and terminal cover in place to reduce electrical shock hazard.
- Keep motor operating area as dry as possible.
- A ground fault interrupter (GFI) protected circuit is recommended for use with any electrical device operating near water.
- Always disconnect power before servicing.
- Not investigated for use in swimming pool areas.

## APPLICATION

This pump is suitable for installations where the vertical distance from the pump to the water level does not exceed 25 ft. In all installations, friction losses in the suction pipe must be taken into consideration.

## PERFORMANCE

HP	Discharge Pressure (in PSI) at 5 ft. lift				Max PSI
	10	20	30	40	
	Capacities in U.S. GPM				
3/4	63	52	40	12	45
1	72	62	46	20	45
1-1/2	90	82	64	40	47
2	97	90	74	47	48
2 - (High Pressure)	85	83	78	60	55

## INSTALLATION

**PUMP LOCATION:** The pump should be installed in a clean, dry and ventilated location which provides adequate drainage and room for servicing and protection from freezing temperatures. It should be bolted down evenly on a good foundation, preferably concrete, to prevent the development of unnecessary stress. Locating the pump as close as possible to the source of water supply reduces the friction losses in the suction pipe and provides for maximum capacities.

**SUCTION PIPE:** It is recommended that only new clean pipe or hose be used and the size be the same as that of the pump

suction tapping. A check valve is recommended to ensure easier priming. If the pump is installed any appreciable distance away from the source of water supply, the suction pipe should be increased by one size. The suction pipe must always slope upwards from the water source to the pump to avoid air pockets in the line. In cases where the pump has to be reprimed often and it is not necessary that a lot of water be delivered, it is advisable to use a 90° or 45° elbow on the suction line. This enables the pump to prime sooner and also prevents kinking of the hose. In cases where a maximum volume of water is required

over a prolonged period of time, the suction line should be led almost horizontally to the pump. Non-toxic thread compound should be used on all pipe joints and connections should be thoroughly tightened. A strainer should be connected to the bottom end of the suction pipe and it should be well submerged at all times.

▲ Adhere to the guidelines of national, state and local plumbing codes when installing this product. Check with the appropriate agencies or water system professional for additional information.

### ▲ WARNING - RISK OF ELECTRICAL SHOCK

**WIRING:** Make sure the voltage and frequency of the power supply agrees with that stamped on the motor nameplate. If in doubt, check with the power company.

### ▲ WARNING - ELECTRICAL PRECAUTIONS

All wiring, electrical connections, and system grounding must comply with the National Electrical Code (NEC) and with any local codes and ordinances. Employ a licensed electrician.

**SINGLE PHASE:** Determine incoming voltage to motor. Where possible, use 230V. Connect wiring to terminal board located

inside motor end cover. Be sure voltage connections agree with wiring diagram on motor nameplate.

**THREE-PHASE:** Three-Phase motors require magnetic starters, and can run in either direction, depending on how they are connected to the power supply.

Check for Proper Rotation: Remove the motor end cover to expose the motor shaft. If hookup is correct, the shaft will rotate clockwise. If rotation is not clockwise, reverse any two leads to the starter. The rotation will now be correct.

▲ **WARNING - RISK OF ELECTRICAL SHOCK**  
**GROUNDING THE MOTOR: WIRING TO THIS PUMP MUST BE INSTALLED AND MAINTAINED IN ACCORDANCE WITH THE NATIONAL ELECTRICAL CODE OR YOUR LOCAL ELECTRIC CODE. IF MORE INFORMATION IS NEEDED, CALL YOUR LOCAL LICENSED ELECTRICIAN OR YOUR POWER COMPANY.**

It is recommended that a permanent ground connection be made to the unit using a conductor of appropriate size from a metal underground water pipe or a grounded lead in the service panel. Do not ground to a gas supply line. Do not connect to electric power supply until unit is permanently grounded. Connect the ground wire to the approved ground and then connect to the terminal provided.

## OPERATION - PRIMING THE PUMP

▲ **WARNING:** DO NOT RUN THE PUMP BEFORE PRIMING IT. THE SEAL AND IMPELLER COULD BE PERMANENTLY DAMAGED.

**PRIMING THE PUMP:** A priming plug is provided in the top of the casing to fill the pump with water. Once filled and the priming plug replaced, the pump will prime. The priming time depends upon the vertical and horizontal distance between the pump and the water level.

▲ **CAUTION:** DO NOT run the pump before filling the pump case with liquid, as it may damage the seal.

**PRIMING UNDER PRESSURE:** (Refer to Figure 1) Should it be necessary to prime under pressure, place a check valve on the discharge line of the pump and a pet cock or a ball type air bleeder in place of the priming plug, or an air bleed line with a gate valve connected to the discharge line. It will then be possible for the liquid to remain in the discharge pipe and allow the pump to bleed off the remaining air, thereby facilitating priming.

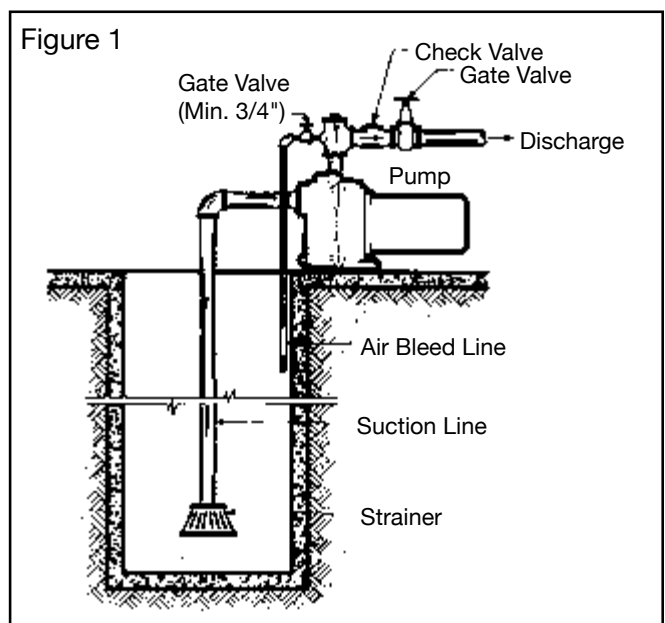
**IMPELLER ROTATION:** The impeller must rotate in a counter-clockwise direction as seen facing the pump from the front of the casing. In the event of wrong rotation for electric motor models, refer to the instructions furnished with the motor. The rotation of three-phase motors can be changed by interchanging any two lead wires.

**STARTING THE PUMP:** Never operate the pump dry as this may damage the seal. If an exceptionally long suction line is used, the water in the pump casing may become overheated or vapour locked. Should this occur, replace the water in the casing with cold water and continue priming.

**DRAINING:** Should the pump be subject to freezing temperatures, it will be necessary to drain the pump completely. To drain, remove the drain plug located at the bottom of the front

face of the pump casing and the priming plug and make sure that the drain hole is not restricted. After all the water has been drained, operating the pump for a few seconds will ensure that the impeller is devoid of water (make sure that the suction line is also devoid of water).

**STORAGE OF PUMP:** Drain liquid from pump to prevent freezing. It is recommended that a good rust inhibitor be put in the liquid end to prevent excessive corrosion. Be sure motor is kept dry and covered. When restoring the use of the pump, replace all plugs and make sure all connections are tightly sealed. After a complete check is made, make the initial prime according to directions under the section, Priming the Pump.



## MAINTENANCE

### ⚠ WARNING - ELECTRICAL PRECAUTIONS

All wiring, electrical connections, and system grounding must comply with the National Electrical Code (NEC) and with any local codes and ordinances. Employ a licensed electrician.

### ⚠ WARNING - RISK OF ELECTRICAL SHOCK

- Have an electrician provide electrical power to the motor.
- Motor must be grounded and terminal cover in place to reduce electrical shock hazard.
- Keep motor operating area as dry as possible.
- A ground fault interrupter (GFI) protected circuit is recommended for use with any electrical device operating near water.
- Always disconnect power before servicing.
- Not investigated for use in swimming pool areas.

#### LUBRICATION:

- a) The pump requires no lubrication.
- b) For electric motor models, refer to instructions provided by the motor manufacturer.

#### Disassembly (Refer to Figure 2):

- 1) Shut off the power to the pump at the main service panel and disconnect the power supply from motor.
- 2) Open a tap in the water system to release the pressure.
- 3) Remove the drain and fill plugs to allow the pump to drain.
- 4) Remove the four bolts (11) and remove casing (1).
- 5) Remove three screws to separate diffuser (3) from motor adapter (2).
- 6) Remove cap (5) and insert a screwdriver to prevent the shaft from turning while unscrewing the impeller (4). For Larger size motors remove rear cover and hold the shaft using a flat wrench inserted from the side, through the opening in the end housing. Impeller has right-hand thread. If impeller cannot be turned by hand, insert a flat object into the impeller vane.

**Note:** Use strap wrench on impeller eye to remove impeller.

- 7) Slip the rotating seal (13) off the impeller hub.
- 8) To replace seal seat (13A); remove bolts (10) to separate the motor (9) from the motor adapter (2). Push seal seat (13A) out of motor adapter (2) from motor side.

#### Reassembly:

- 1) Clean all the parts thoroughly before assembling.
- 2) Lightly lubricate (soapy water) the rubber cap on the

ceramic seal (13A) and push it into the adapter using thumbs only. Make sure the smooth surface of the ceramic seat faces outwards.

**Note:** If the pump will remain out of service for longer than one week, the seal components must be installed dry (no lubrication).

- 3) Put the adapter back on the motor.
- 4) Lubricate the rotating seal (13)(soapy water) and slip it onto the impeller hub with the 'carbon' ring towards the ceramic seat. Apply thread locker to shaft threads prior to installing impeller.
- 5) Replace the impeller (4) and the diffuser (3).
- 6) Replace the casing (1) making sure that the gasket is not damaged and is in place.
- 7) Reconnect the tubes to the casing and to the pressure switch.
- 8) Reconnect the power.
- 9) Prime pump, start, check for leaks.

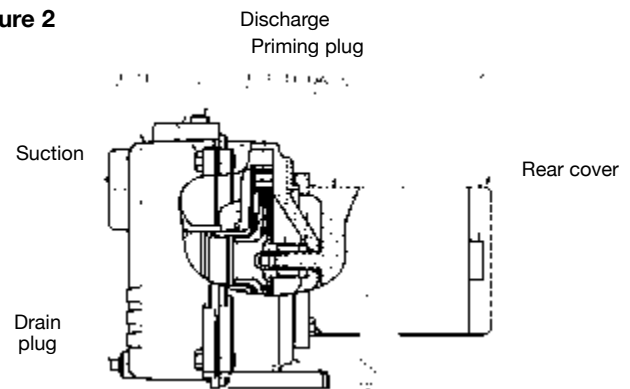
#### Preventative Maintenance:

At the end of the season, drain remaining water from casing from the drain plug at the bottom and flush the pump out with clean water. Replace plug and fill the pump end with an R.V. (Recreational Vehicle) Antifreeze. Ensure that the pump end is completely drained and flushed prior to priming in the new season.


#### PRECAUTIONS:

Whenever pump is dismantled and then reassembled, always check to see that the impeller rotates freely within the diffuser.

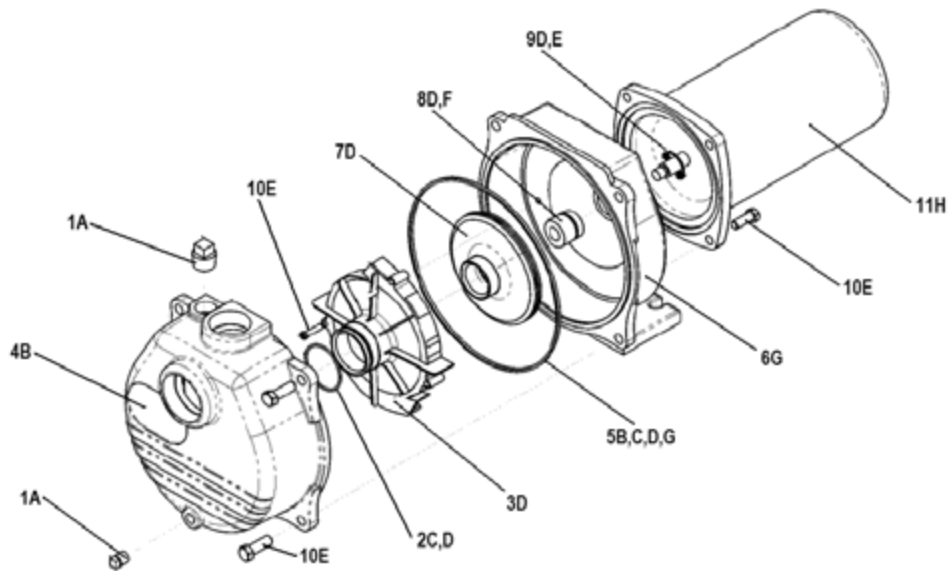
**Figure 2**



## TROUBLESHOOTING

SYMPTOM	CAUSE	REMEDY
Failure to pump:	Pump not properly primed.	Make sure pump casing and suction line are full of water. See priming instructions.
	Speed too low.	 <b>WARNING - ELECTRICAL PRECAUTIONS</b> All wiring, electrical connections and system grounding must comply with the National Electrical Code (NEC) and with any local codes and ordinances. Employ a licensed electrician. Check voltage at motor terminals and at meter when pump is operating. If low, refer to wiring instructions or check with your power company. Check loose connections.
	Total head more than for which pump was intended.	A pump designed for higher head needed.
	Suction lift is too great.	Locate pump closer to source of water. Make sure suction piping is large enough.
Reduced capacity and/or head:	Air pockets or leaks in suction line.	Check suction piping.
	Clogged impeller.	Remove and clean.
	Strainer too small or clogged.	Use larger strainer or clean.
	Insufficient submergence of suction line.	Add lengths of suction pipe to keep submerged end well below the water surface.
	Excessive suction lift.	If caused by suction pipe friction, enlarge piping.
	Total head more than that for which the pump was intended.	A pump designed for higher head is needed.
	Excessively worn impeller.	Order replacement parts using Repair Parts List.
Pump loses prime:	Air leaks in suction line.	Check suction piping.
	Excessive lift and operating too near shut-off point.	Move pump nearer water level.
	Water level drops while pumping, uncovering suction piping.	Check water supply. Add length of pipe to suction to keep submerged end under water.
Mechanical troubles and noise:	Bent shaft and/or damaged bearings.	Take motor to authorized motor repair shop.
	Suction and/or discharge piping not properly supported and anchored.	See that all piping is supported to relieve strain on pump assembly.

## REPLACEMENT PARTS



Number	Description	Kit Grouping Identifier	Repair Part Order Codes by Model Number				
			3/4 hp	1 hp	1-1/2 hp	2 hp	2 hp (High Pressure)
1	Plugs kit	A	305446953				
2	O ring	C	305446909				
3	Diffuser	D	305446902	305446903	305446904	305446905	305446906
4	Casing	B	305446901				
5	Gaskets	C	305446909				
		D	305446902	305446903	305446904	305446905	305446906
		G	305446908				
6	Adapter	G	305446908				
7	Impeller	D	305446902	305446903	305446904	305446905	305446906
8	Mechanical Seal	F	106196221			106196227	
		D	305446902	305446903	305446904	305446905	305446906
9	Flinger	D	305446902	305446903	305446904	305446905	305446906
10	Fastener Kit*	E	305446907				
11	Motor	H	305446956	305446957	305446958	305446959	

†Items with like identifiers are sold/packaged together

\*Fastener kit (10E) is a complete set of the hardware used to assemble the pump. As a convenience kit B, D & G contain the fasteners needed for the reassembly of its components.

# LIMITED WARRANTY\*

## **THIS WARRANTY SETS FORTH THE COMPANY'S SOLE OBLIGATION AND PURCHASER'S EXCLUSIVE REMEDY FOR DEFECTIVE PRODUCT.**

Franklin Electric Company, Inc. and its subsidiaries (hereafter "the Company") warrants that the products accompanied by this warranty are free from defects in material or workmanship of the Company.

The Company has the right to inspect any product returned under warranty to confirm that the product contains a defect in material or workmanship. The Company shall have the sole right to choose whether to repair or replace defective equipment, parts, or components.

The buyer should return the product to the place of purchase for warranty consideration. Subject to the terms and conditions listed below, the Company will repair or replace to the buyer any portion of this product which proves defective due to materials or workmanship of the Company.

The Company will consider products for warranty for 12 months from the date of installation or for 24 months from the date of manufacture, whichever occurs first.

The Company shall IN NO EVENT be responsible or liable for the cost of field labor or other charges incurred by any customer in removing and/or affixing any product, part or component thereof.

The Company reserves the right to change or improve its products or any portions thereof without being obligated to provide such change or improvement to previously sold products.

THIS WARRANTY DOES NOT APPLY TO products damaged by acts of God, including lightning, normal wear and tear, normal maintenance services and the parts used in connection with such service, or any other conditions beyond the control of the Company.

THIS WARRANTY WILL IMMEDIATELY VOID if any of the following conditions are found:

1. Product is used for purposes other than those for which it was designed and manufactured;
2. Product was not installed in accordance with applicable codes, ordinances and good trade practices;
3. Product was not installed by a Franklin Certified Contractor; or
4. Product was damaged as a result of negligence, abuse, accident, misapplication, tampering, alteration, improper installation, operation, maintenance or storage, nor to an excess of recommended maximums as set forth in the product instructions.

NEITHER SELLER NOR THE COMPANY SHALL BE LIABLE FOR ANY INJURY, LOSS OR DAMAGE, DIRECT, INCIDENTAL OR CONSEQUENTIAL (INCLUDING, BUT NOT LIMITED TO, INCIDENTAL OR CONSEQUENTIAL DAMAGES FOR LOST PROFITS, LOST SALES, INJURY TO PERSON OR PROPERTY, OR ANY OTHER INCIDENTAL OR CONSEQUENTIAL LOSS), ARISING OUT OF THE USE OR THE INABILITY TO USE THE PRODUCT, AND THE BUYER AGREES THAT NO OTHER REMEDY SHALL BE AVAILABLE TO IT.

THE WARRANTY AND REMEDY DESCRIBED IN THIS LIMITED WARRANTY IS AN EXCLUSIVE WARRANTY AND REMEDY AND IS IN LIEU OF ANY OTHER WARRANTY OR REMEDY, EXPRESS OR IMPLIED, WHICH OTHER WARRANTIES AND REMEDIES ARE HEREBY EXPRESSLY EXCLUDED, INCLUDING BUT NOT LIMITED TO ANY IMPLIED WARRANTY OF MERCHANTABILITY OR FITNESS FOR A PARTICULAR PURPOSE, TO THE EXTENT EITHER APPLIES TO A PRODUCT SHALL BE LIMITED IN DURATION TO THE PERIODS OF THE EXPRESSED WARRANTIES GIVEN ABOVE.

DISCLAIMER: Any oral statements about the product made by the seller, the Company, the representatives or any other parties, do not constitute warranties, shall not be relied upon by the buyer, and are not part of the contract for sale. Seller's and the Company's only obligation, and buyer's only remedy, shall be the replacement and/or repair by the Company of the product as described above. Before using, the user shall determine the suitability of the product for his intended use, and user assumes all risk and liability whatsoever in connection therewith.

Some states and countries do not allow the exclusion or limitations on how long an implied warranty lasts or the exclusion or limitation of incidental or consequential damages, so the above exclusion or limitations may not apply to you. This warranty gives you specific legal rights, and you may also have other rights which vary from state to state and country to country.

\*Contact Franklin Electric Co., Inc. Export Division for International Warranty.



**Franklin Electric**

400 E. Spring Street, Bluffton, IN 46714  
Tel: 260-824-2900 Fax: 260-824-2909  
www.franklin-electric.com



Franklin Electric

# WSP Pompe d'arrosage auto-amorçante GUIDE D'UTILISATION

## ⚠️ CONSIGNES DE SÉCURITÉ



**AVANT D'INSTALLER OU D'UTILISER CETTE POMPE, PRIÈRE DE LIRE LE PRÉSENT GUIDE ET SUIVRE TOUTES LES RÈGLES DE SÉCURITÉ ET INSTRUCTIONS D'UTILISATION.**

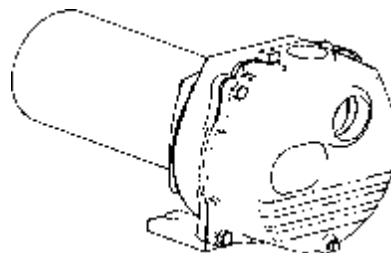
**⚠️ SÉCURITÉ** LIRE ATTENTIVEMENT LES AVIS DE SÉCURITÉ SE TROUVANT DANS LE PRÉSENT MANUEL ET SUR LA POMPE.

### ⚠️ ATTENTION

- NE PAS FAIRE FONCTIONNER CETTE POMPE À SEC!
- Passez les instructions en revue avant d'utiliser la pompe.

### ⚠️ MISE EN GARDE - PRÉCAUTIONS ÉLECTRIQUES

Tout le câblage, connexions électriques et mise à la terre des systèmes doivent se conformer au Code National d'Electricité (NEC) et aux codes et ordonnances locaux. Employez un électricien autorisé. Pour les moteurs sans protection thermique, utiliser un démarreur approuvé convenant au courant de pleine charge du moteur et dont les éléments thermiques sont réglés ou choisis conformément aux instructions qui l'accompagnent.



### ⚠️ POUR LES MOTEURS BI-TENSION

Les instructions pour changer la tension sont sur l'étiquette du moteur ou sur le couvercle d'accès aux fils électriques.

### ⚠️ MISE EN GARDE - RISQUE DE CHOC ÉLECTRIQUE

- Pour l'installation électrique du moteur, faites appel à un électricien.
- Le moteur doit être mis à la terre et le couvercle des bornes correctement installé afin de réduire les risques d'électrocution.
- Garder la zone de travail aussi sèche que possible.
- L'usage d'un circuit protégé par interrupteur de défaut à la terre (GFI) est recommandé avec tout appareil électrique fonctionnant dans l'eau ou à proximité de celle-ci.
- Toujours couper l'alimentation avant de procéder à l'entretien.
- Cette pompe n'est pas conçue pour être utilisée près d'une piscine.

## APPLICATION

Cette pompe convient aux installations dont la distance verticale entre la pompe et l'eau à pomper ne dépasse pas 25 pieds. Dans tous les cas, il faut tenir compte des pertes de charge dans la conduite d'aspiration.

## PERFORMANCE

Modèle	CV	Pression de décharge en lb/po2 à 8 pi de profondeur				Pression maximale (lb/po2)
		10	20	30	40	
		Capacité en gallons par minute				
SPHE-S75	3/4	63	52	40	12	45
SPHE-S100	1	72	62	46	20	45
SPHE-S150	1-1/2	90	82	64	40	47
SPHE-S200	2	97	90	74	47	48
SPHE-S200H	2	85	83	78	60	55

## INSTALLATION

**EMPLACEMENT DE LA POMPE :** Il est conseillé d'installer la pompe dans un endroit propre, sec et aéré offrant un bon drainage, de l'espace pour l'entretien et une protection contre le gel. Il faudrait la boulonner bien à plat à une assise solide, de préférence en béton, afin de prévenir les contraintes inutiles. Pour réduire les pertes de friction dans la conduite d'aspiration et obtenir le débit maximal, rapprocher le plus possible la pompe de la source d'eau.

**CONDUITE D'ASPIRATION :** Il est recommandé d'utiliser un tuyau ou un boyau neuf et propre dont le diamètre est égal au taraudage de l'orifice d'aspiration. Si la pompe se trouve à une distance assez importante de la source d'alimentation en eau, le diamètre de la conduite d'aspiration devrait être plus grand. La conduite d'aspiration doit toujours être placée en pente

ascendante à partir de la source d'eau vers la pompe, pour éviter la formation de poches d'air dans la conduite. Dans les cas où la pompe doit être réamorçée souvent et qu'un grand débit d'eau n'est pas nécessaire, il est conseillé d'utiliser un coude de 90° ou de 45° dans la conduite d'aspiration. L'amorçage peut ainsi se faire plus rapidement et prévenir le tortillement du boyau. Si un volume d'eau important est requis pendant une période prolongée, la conduite d'aspiration devrait être aussi à l'horizontale que possible par rapport à la pompe. Il est également conseillé d'enduire les joints et les raccords de tuyau, d'une graisse pour filetage non toxique et de bien les serrer. L'extrémité inférieure de la conduite d'aspiration devrait être munie d'une crépine et être immergée en tout temps.

## ⚠ AVERTISSEMENT

### - RISQUE DE CHOC ÉLECTRIQUE

- **CÂBLAGE** : S'assurer que la tension et la fréquence de l'alimentation en électricité sont conformes aux indications se trouvant sur la plaque signalétique du moteur. Dans le doute, vérifiez auprès de votre compagnie d'électricité.

## ⚠ AVERTISSEMENT

### - PRÉCAUTIONS RELATIVES À L'ÉLECTRICITÉ

Le câblage, les connexions électriques et les mises à la terre des systèmes doivent être conformes au Code national de l'électricité (NEC) et aux ordonnances et codes locaux. Faire appel à un électricien autorisé.

**MOTEUR MONOPHASÉ** : Établir d'abord la tension d'entrée au moteur. Si c'est possible, relier à 230V. Brancher les fils d'alimentation sur la plaque à bornes située sous le couvercle du moteur. Assurez vous que le raccordement des bornes est fait selon les indications de tension à la plaque signalétique.

**MOTEUR TRIPHASÉ** : Un moteur triphasé doit être muni d'un démarreur magnétique. La rotation de ce genre de moteur peut se faire dans les deux sens, selon le branchement de l'alimentation électrique. **Pour déterminer si le moteur tourne dans le bon sens**, enlever le couvercle du moteur. L'arbre du moteur est maintenant exposé. Si le branchement du moteur

est bien effectué, l'arbre tournera dans le sens des aiguilles d'une montre. Si la rotation de l'arbre est dans le sens contraire des aiguilles d'une montre, inverser deux des conducteurs de branchement du démarreur. Le moteur tournera alors dans le bon sens.

## ⚠ AVERTISSEMENT

### - RISQUE DE CHOC ÉLECTRIQUE

**MISE À LA TERRE DU MOTEUR : LE CÂBLAGE DE CETTE POMPE DOIT ÊTRE INSTALLÉ ET ENTRETENU CONFORMÉMENT AU CODE NATIONAL DE L'ÉLECTRICITÉ OU AUX ORDONNANCES ET CODES D'ÉLECTRICITÉ LOCAUX. POUR DE PLUS AMPLES RENSEIGNEMENTS, CONSULTEZ UN ÉLECTRICIEN AUTORISÉ OU VOTRE PROPRE COMPAGNIE D'ÉLECTRICITÉ.**

Il est recommandé de faire une mise à la terre permanente, au moyen d'un conducteur de dimension appropriée, fixé à une conduite d'eau souterraine ou la borne de mise à la terre dans le panneau de service. Éviter de brancher à un tuyau d'alimentation de gaz. Ne pas raccorder à la source d'alimentation électrique avant que l'unité soit mise à la terre en permanence.. Brancher le fil de masse à la prise de terre approuvée, puis raccorder le fil à la cosse de m.a.l.t. sur la pompe.

## FONCTIONNEMENT - AMORÇAGE DE LA POMPE

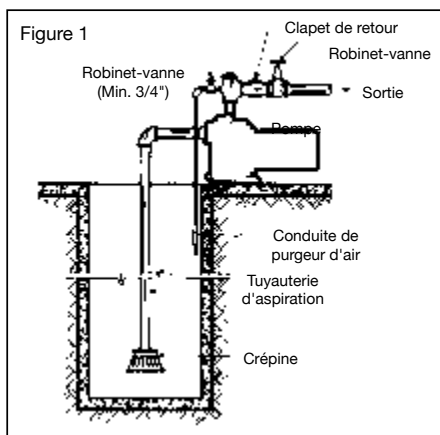
⚠ **AVERTISSEMENT** : DE NE PAS FAIRE FONCTIONNER LA POMPE À SEC AVANT L'AMORÇAGE, SINON LE JOINT D'ÉTANCHÉITÉ ET LA ROUE DE TURBINE SERAIENT ENDOMMAGÉS DE FAÇON PERMANENTE

**AMORÇAGE DE LA POMPE** : Pour amorcer la pompe, il faut enlever le bouchon d'amorçage se trouvant sur le dessus de l'unité, remplir la pompe d'eau et remettre le bouchon en place. La durée d'amorçage est fonction de la distance horizontale et verticale entre la pompe et le niveau de l'eau.

⚠ **ATTENTION** : NE JAMAIS faire démarrer la pompe à sec, car la garniture d'étanchéité pourrait s'endommager.

**AMORÇAGE SOUS PRESSION** : (Voir figure 1). S'il faut amorcer la pompe sous pression, placer un clapet de non retour sur la conduite de sortie de la pompe et remplacer le bouchon d'amorçage par un robinet de purge d'air ordinaire ou sphérique, ou installer une conduite de purgeur d'air et un robinet-vanne sur la conduite de sortie. Le liquide pourra alors demeurer dans la conduite de refoulement et l'action du robinet-vanne facilitera l'amorçage de la pompe.

**ROTATION DE LA ROUE DE TURBINE** : Vue de face, devant la carcasse, la rotation devrait se faire dans le sens contraire des aiguilles d'une montre. Si la rotation d'une pompe actionnée par un moteur électrique ne s'effectue pas dans le bon sens, consulter les instructions fournies avec le moteur. Il est possible de modifier le sens de rotation d'un moteur triphasé en inversant deux fils conducteurs.



## ⚠ MISE EN GARDE

### - PRÉCAUTIONS ÉLECTRIQUES

Tout câblage, connexions électriques et mise à la terre des systèmes doivent se conformer au Code National d'Electricité (NEC) et aux codes et ordonnances locaux. Employez un électricien autorisé.

## ⚠ MISE EN GARDE

### - RISQUE DE CHOC ÉLECTRIQUE

- Pour l'installation électrique du moteur, faites appel à un électricien.
- Le moteur doit être mis à la terre et le couvercle des bornes correctement installé afin de réduire les risques d'électrocution.
- Garder la zone de travail aussi sèche que possible.
- L'usage d'un circuit protégé par interrupteur de défaut à la terre (GFI) est recommandé avec tout appareil électrique fonctionnant dans l'eau ou à proximité de celle-ci.
- Toujours couper l'alimentation avant de procéder à l'entretien.
- Cette pompe n'est pas conçue pour être utilisée près d'une piscine.

**MISE EN MARCHÉ** : Ne jamais faire fonctionner la pompe à sec, car la garniture d'étanchéité pourrait s'endommager. Si la conduite d'aspiration est très longue, l'eau contenue dans le boîtier peut surchauffer ou produire une cavitation. Le cas échéant, remplacer l'eau du boîtier par de l'eau froide et continuer l'amorçage.

**VIDANGE** : Si la pompe est exposée au gel, il faudra la vidanger complètement. Pour ce faire, enlever le bouchon de vidange situé dans la partie inférieure du devant du boîtier ainsi que le bouchon d'amorçage et s'assurer que l'orifice de vidange n'est pas obstrué. Dès que toute l'eau est évacuée, faire fonctionner la pompe pendant quelques secondes pour éliminer toute eau subsistante dans la roue (veiller également à l'évacuation de toute eau dans la conduite d'aspiration).

**ENTREPOSAGE DE LA POMPE** : Évacuer tout le liquide contenu dans la pompe afin de prévenir les bris causés par le gel. Il est recommandé d'appliquer un bon agent anti-rouille dans le boîtier afin d'empêcher la formation excessive de corrosion. S'assurer que le moteur est toujours au sec et couvert. Au moment de remettre la pompe en marche, remplacer tous les bouchons et vérifier l'étanchéité parfaite de tous les raccordements. Après une vérification complète, amorcer la pompe en suivant les directives de la rubrique Amorçage.



## LUBRIFICATION:

- a) Cette pompe n'exige aucune lubrification.
- b) Pour la lubrification du moteur électrique, consulter le mode d'emploi du fabricant.

## DÉMONTAGE : (se référer à la Figure 2) :

- 1) Coupez l'alimentation de la pompe au panneau de distribution et déconnectez les fils des bornes d'alimentation du moteur.
- 2) Ouvrez un robinet du système d'eau pour le dépressuriser.
- 3) Retirez les bouchons de drainage et de remplissage pour vidanger la pompe.
- 4) Retirez les quatre boulons (11) et retirez le bâti de pompe (1).
- 5) Retirez les trois vis pour dégager le diffuseur (3) de la bride d'adaptation au moteur (2).
- 6) Retirez le bouchon (5) et insérez un tournevis pour empêcher la rotation du moteur pour dévisser la roue de turbine (4). Pour les plus gros moteurs, retirez le couvercle arrière et retenez l'arbre en utilisant une cle plate insérée par l'ouverture latérale de la carcasse. La roue de turbine possède des filets à droite. Si la roue de turbine ne peut pas être dévissée à la main, insérez un objet plat dans une aube de la roue.

## REMARQUE :

- Utilisez une clé à bande sur le moyeu de la roue de turbine pour la dévisser.
- 7) Faites glisser le joint de rotation (13) hors du moyeu de la roue.
  - 8) Pour remplacer le siège du joint (13A); retirez les boulons (10) pour dégager le moteur (9) de la bride adaptatrice du moteur (2). À partir du côté du moteur, poussez le siège du joint (13A) hors de l'adaptateur (2) du moteur.

## REMONTAGE :

- 1) Avant de remonter les pièces, nettoyez les à fond.
- 2) Lubrifiez légèrement à l'eau savonneuse le bouchon de caoutchouc du joint de céramique (13A) et poussez le dans l'adaptateur avec vos pouces seulement. Assurez-vous que la surface lisse du joint soit placée vers l'extérieur.

## REMARQUE :

Si vous prévoyez garder la pompe hors service pour une période plus grande qu'une semaine, les composants d'étanchéité doivent être installés secs (sans lubrification).

- 3) Remplacez l'adaptateur sur le moteur.
- 4) Lubrifiez le sceau de rotation (13) avec de l'eau savonneuse et faites le glisser sur le moyeu de la roue de turbine en plaçant l'anneau de carbone en direction du siège de céramique. Avant d'installer la roue, enduisez les filets de l'arbre de scellant à filets.
- 5) Remplacez la roue de turbine (4) et le diffuseur (3).
- 6) Remplacez la bâti de pompe (1) en prenant soin de ne pas endommager le joint et en vous assurant qu'il est bien placé.
- 7) Raccordez les boyaux au bâti et à la soupape de surpression.
- 8) Reconnectez l'alimentation.
- 9) Amorcez la pompe, laissez la pression se stabiliser et vérifiez s'il y a des fuites.

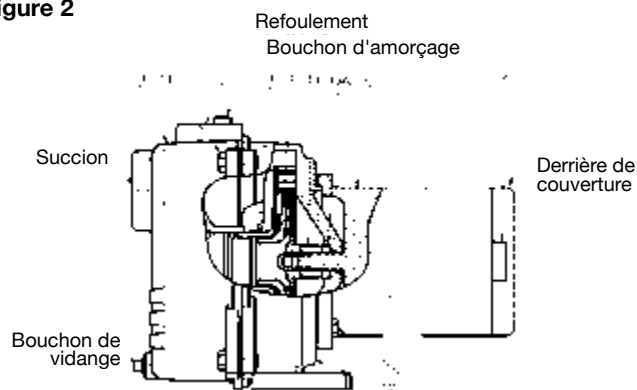
## ENTRETIEN PRÉVENTIF :

À la fin de la saison, vidangez l'eau restante du boîtier en ouvrant le bouchon de vidange de la surface inférieure et rincez la pompe avec de l'eau propre. Remettez le bouchon en place et remplissez la pompe avec une solution antigel pour véhicules de plaisance. Assurez-vous que l'extrémité de la pompe est complètement vidangée et rincée avant l'amorçage lors de la prochaine saison.

## PRÉCAUTIONS

- a) Au moment de démonter et de remonter la pompe, il faut toujours vérifier si la roue tourne librement dans le boîtier.
- b) L'arbre des pompes de la série NSPHE est muni d'une bride (10) qu'il ne faut jamais enlever.

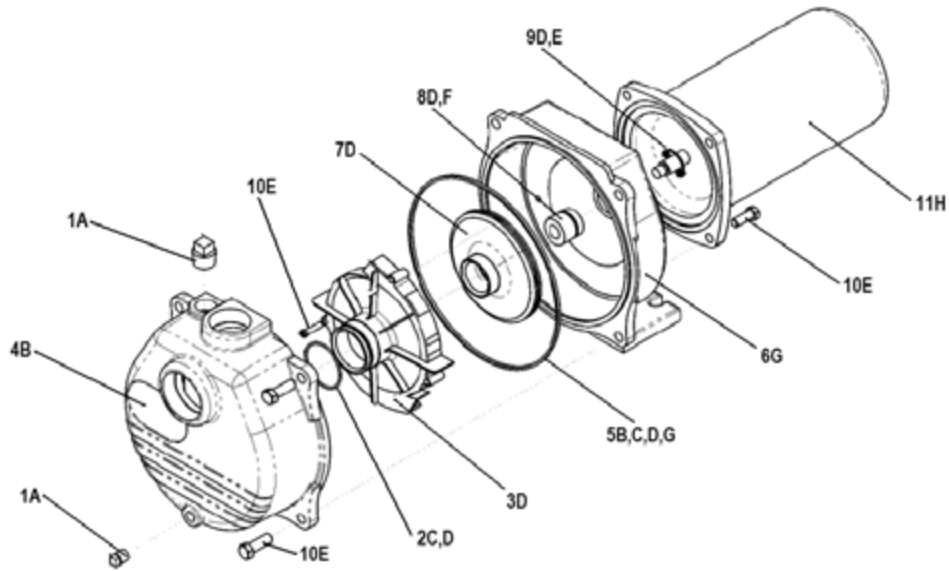
**Figure 2**



## GUIDE DE DÉPANNAGE

PROBLÈMES ET CAUSE PROBABLES	SOLUTIONS
<b>Aucun pompage :</b>	
La pompe n'est pas bien amorcée.	Assurez vous que le bâti de la pompe et la conduite d'aspiration sont remplis d'eau. Suivre les directives d'amorçage.
Le régime est trop faible.	<b>⚠️ AVERTISSEMENT -PRÉCAUTIONS RELATIVES À L'ÉLECTRICITÉ</b> Le câblage, les connexions électriques et les mises à la terre des systèmes doivent être conformes au Code national de l'électricité (NEC) et aux ordonnances et codes locaux. Consulter un électricien autorisé. Mesurez la tension aux bornes du moteur et le au tableau de distribution pendant le pompage. Si la tension est trop faible, consulter les directives de câblage ou communiquer avec votre compagnie d'électricité. Assurez vous que toutes les connexions sont bien serrées.
La profondeur totale du puits est plus grande que la capacité de la pompe.	Une pompe conçue pour une plus grande tête d'eau est requise.
La distance de succion en élévation est trop grande	Rapprocher la pompe de la source d'alimentation d'eau. S'assurer que les conduites d'aspiration sont de diamètre suffisant..
<b>Perte de capacité ou tête d'eau réduite :</b>	
Fuites ou poches d'air dans la conduite d'aspiration.	Inspecter la tuyauterie d'aspiration.
Aubes de roue de turbine encrassées.	Retirez la roue et nettoyez ses aubes.
Crépine trop petite ou obstruée.	Installer une plus grande crépine ou nettoyer celle en place.
La conduite d'aspiration n'est pas bien immergée.	Rajouter des sections à la conduite d'aspiration afin d'en maintenir l'extrémité bien immergée.
La hauteur géométrique d'aspiration est trop élevée.	Si le problème est causé par une trop grande friction a l'intérieur de la conduite d'aspiration, augmenter le diamètre du tuyau ou rapprocher la pompe de la source d'eau.
La tête d'eau excède la capacité de la pompe.	Une pompe conçue pour une plus grande tête d'eau est requise.
La roue est trop usée.	Commandez une nouvelle pièce. Consulter la liste des pièces de rechange.
<b>Perte d'amorçage :</b>	
Fuites d'air dans la conduite d'aspiration.	Inspecter la tuyauterie d'aspiration.
Hauteur géométrique d'aspiration trop grande et trop rapprochée de la pression à débit nul.	Rapprocher la pompe du niveau de l'eau.
Le niveau d'eau baisse pendant le pompage et met la conduite d'aspiration à l'air libre.	Vérifier la source d'eau. Rajouter une section à la conduite d'aspiration afin d'en maintenir l'extrémité sous l'eau.
<b>Problèmes mécaniques et bruits :</b>	
Arbre voilé ou paliers endommagés ou les deux.	Faire vérifier le moteur dans un atelier de réparation reconnu.
Les tuyaux d'aspiration ou de refoulement ne sont pas bien soutenus ou assujetties.	S'assurer que toutes les canalisations sont bien retenues et n'exercent aucune contrainte sur l'installation de la pompe.

## PIÈCES DE RECHANGE



Numéro	Description	Identifiant du groupe de trousse	Codes de commande des pièces de rechange par numéro de modèle				
			3/4 hp	1 hp	1-1/2 hp	2 hp	2 hp (High Pressure)
1	Trousse de bouchons	A	305446953				
2	Joint torique	C	305446909				
		D	305446902	305446903	305446904	305446905	305446906
3	Diffuseur	D	305446902	305446903	305446904	305446905	305446906
4	Boîtier	B	305446901				
5	Joints d'étanchéité	C	305446909				
		D	305446902	305446903	305446904	305446905	305446906
		G	305446908				
6	Adaptateur	G	305446908				
7	Roue	D	305446902	305446903	305446904	305446905	305446906
8	Joint mécanique	F	106196221			106196227	
		D	305446902	305446903	305446904	305446905	305446906
9	Défecteur	D	305446902	305446903	305446904	305446905	305446906
10	Trousse de fixation*	E	305446907				
11	Moteur	H	305446956	305446957	305446958	305446959	

Les articles aux identifiants similaires sont vendus/emballés ensemble

La trousse de fixation (10E) est un ensemble complet de ferrures utilisées pour assembler la pompe. Pour plus de commodité, les trousse B, D et G contiennent les attaches requises pour le réassemblage de ses composants.

# GARANTIE LIMITÉE\*

## **CETTE GARANTIE ÉNONCE LA SEULE OBLIGATION DE L'ENTREPRISE ET LE RECOURS EXCLUSIF DE L'ACHETEUR POUR LE PRODUIT DÉFECTUEUX.**

Franklin Electric Company, Inc. et ses filiales (ci-après « la Société ») garantit que les produits accompagnés par cette garantie sont sans défauts de matière ou de fabrication de la Société.

La Société a le droit d'inspecter tout produit retourné sous garantie pour confirmer que le produit contient un défaut de matière ou de fabrication. La Société a le droit exclusif de choisir de réparer ou de remplacer du matériel, des pièces, ou des composants défectueux.

L'acheteur doit retourner le produit au lieu d'achat pour la contrepartie de garantie. Sous réserve des modalités et conditions énumérées ci-dessous, la Société s'engage à réparer ou à remplacer à l'acheteur toute partie de ce produit qui s'avère défectueuse en raison de matière ou de fabrication de la Société.

La Société tiendra compte des produits pour la garantie pendant 12 mois à compter de la date d'installation ou pendant 24 mois à compter de la date de fabrication, selon la première éventualité.

La Société ne sera EN AUCUN CAS tenue responsable pour les coûts du travail sur terrain ou autres frais encourus par un client concernant l'enlèvement et/ou l'apposition d'un produit, d'une partie ou d'un composant de celui-ci.

La Société se réserve le droit de modifier ou d'améliorer ses produits ou toutes parties de ceux-ci sans être obligé de fournir un tel changement ou une telle amélioration à des produits déjà vendus.

CETTE GARANTIE NE S'APPLIQUE PAS AUX produits endommagés par des cas de force majeure. Cela comprend la foudre, l'usure normale, des services d'entretien normaux et les pièces utilisées dans le cadre d'un tel service, ou toutes autres conditions au-delà du contrôle de la Société.

CETTE GARANTIE SERA IMMEDIATEMENT NULLE si l'une des conditions suivantes se matérialise :

1. Le produit est utilisé à des fins autres que celles pour lesquelles il a été conçu et fabriqué ;
2. Le produit n'a pas été installé conformément aux codes, ordonnances et bonnes pratiques commerciales applicables ;
3. Le produit n'a pas été installé par un Entrepreneur Certifié de Franklin ; ou
4. Le produit a été endommagé par suite de négligence, d'abus, d'accident, de mauvaise application, d'altération, de modification, de mauvaise installation, de fonctionnement, d'entretien ou de stockage, ou pour cause d'excès de maximums recommandés énoncés dans la notice du produit.

NI LE VENDEUR NI LA SOCIETE NE SERA RESPONSABLE POUR TOUT PRÉJUDICE, PERTES OU AVARIES DIRECTES, ACCESSOIRES OU CORRÉLATIVES (Y COMPRIS, MAIS SANS LIMITATION, AUX AVARIES ACCESSOIRES OU CORRÉLATIVES POUR PERTE DE PROFITS, PERTE DE CHIFFRE D'AFFAIRES, BLESSURES A LA PERSONNE OU PROPRIÉTÉ, OU TOUTE AUTRE PERTE ACCESSOIRE OU CORRÉLATIVE), DÉCOULANT DE L'UTILISATION OU DE L'INCAPACITE D'UTILISER LE PRODUIT, ET L'ACHETEUR RECONNAÎT QU'AUCUN AUTRE RECOURS NE SERA DISPONIBLE.

LA GARANTIE ET LE RECOURS DÉCRITS DANS CETTE GARANTIE LIMITÉE SONT UNE GARANTIE ET UN RECOURS EXCLUSIFS ET TIENNENT LIEU DE TOUTE AUTRE GARANTIE OU RECOURS, EXPLICITE OU IMPLICITE, DESQUELS LES AUTRES GARANTIES ET RECOURS SONT FORMELLEMENT EXCLUS, Y COMPRIS, MAIS SANS S'Y LIMITER, QUE TOUTE GARANTIE IMPLICITE DE QUALITE MARCHANDE OU D'ADEQUATION A UN USAGE PARTICULIER, DANS LA MESURE OU CELA POURRAIT S'APPLIQUER A UN PRODUIT, EST LIMITÉE EN DURÉE AUX PÉRIODES DES GARANTIES EXPRESSES INDIQUEES CI-DESSUS.

**AVIS DE NON-RESPONSABILITE :** Les déclarations orales concernant le produit effectuée par le vendeur, la Société, les représentants ou toutes autres parties, ne constituent pas une garantie. L'acheteur ne doit pas s'y fier, et elles ne font pas partie du contrat de vente. La seule obligation du vendeur et de la Société, et le seul recours de l'acheteur, doit être le remplacement et/ou la réparation, par la Société, du produit tel que décrit ci-dessus. Avant l'utilisation, l'utilisateur doit déterminer l'aptitude du produit pour son utilisation prévue, et l'utilisateur assume tous les risques et la responsabilité dans n'importe quel cadre avec lequel le produit sera associé.

Certains états et pays n'autorisent pas l'exclusion ou la limitation de la durée d'une garantie implicite ou l'exclusion ou la limitation des dommages fortuits ou corrélatifs, de sorte que les limitations ou exclusions ci-dessus peuvent ne pas s'appliquer à vous. Cette garantie vous donne des droits légaux spécifiques, et vous pouvez également avoir d'autres droits qui varient d'un état à l'autre et d'un pays à l'autre.

\* Veuillez vous adresser à la section des exportations de Franklin Electric Co., Inc. pour des renseignements concernant la garantie internationale.



**Franklin Electric**

400 E. Spring Street, Bluffton, IN 46714  
Tel: 260-824-2900 Fax: 260-824-2909  
www.franklin-electric.com



Franklin Electric

# WSP Bomba Autocebante para riego MANUAL DEL PROPIETARIO

## ⚠️ ADVERTENCIAS DE SEGURIDAD



**ANTES DE OPERAR O INSTALAR ESTA BOMBA, LEA ESTE MANUAL Y SIGA TODAS LAS INSTRUCCIONES DE SEGURIDAD Y OPERACIÓN.**

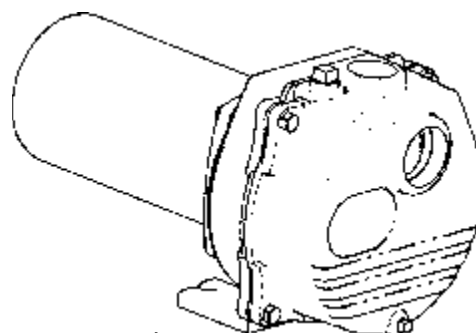
**⚠️ SEGURIDAD** LEA CUIDADOSAMENTE ESTOS MENSAJES DE SEGURIDAD EN ESTE MANUAL Y EN LA BOMBA.

### ⚠️ CUIDADO

- ¡NO HAGA FUNCIONAR LA BOMBA EN SECO!
- Revise cuidadosamente las instrucciones antes de usarla.

### ⚠️ ADVERTENCIA PRECAUCIONES ELÉCTRICAS

Todo cableado, conexiones eléctricas y sistemas de contacto a tierra deben cumplir con el Código Eléctrico Nacional (NEC) y con cualquier código y ordenanza local. Contrate los servicios de un electricista con licencia. Para los motores sin protección térmica, utilice un control de motor aprobado que concuerde con la demanda de amperaje del motor a plena carga, con elemento(s) de sobrecarga seleccionados o regulados de acuerdo a las instrucciones del control.



### ⚠️ PARA MOTORES DE DOBLE VOLTAJE:

Las instrucciones por el cambio de voltaje están en la etiqueta del motor a en la tapa de acceso a los alambres.

### ⚠️ ADVERTENCIA

#### - RIESGO DE DESCARGA ELÉCTRICA

- Haga que un electricista le conecte la electricidad al motor.
- El motor debe estar conectado a tierra y la tapa del terminal debe estar puesta para reducir el peligro de descarga eléctrica.
- Mantenga el área de operación del motor lo más seca posible.
- Se recomienda usar un circuito protegido por un dispositivo interruptor de circuito por falla de corriente a tierra (GFI) para cualquier aparato eléctrico que opere cerca del agua.
- Siempre desconecte el suministro eléctrico antes de darle servicio.
- No se ha investigado su uso para el área de piscinas.

## APLICACIÓN

Utilice estas bombas para aplicaciones donde la distancia vertical desde la bomba hasta el nivel del agua no sea mayor de 8m (25 pies)

En todas las instalaciones se debe tomar en consideración la pérdida por fricción en las tuberías de succión.

## RENDIMIENTO

Modelo	HP	Presión de descarga en PSI con 2,5 m (pies) de altura				Máx. PSI
		10	20	30	40	
		Capacidades en Galones US/min				
SPHE-S75	3/4	63	52	40	12	45
SPHE-S100	1	72	62	46	20	45
SPHE-S150	1-1/2	90	82	64	40	47
SPHE-S200	2	97	90	74	47	48
SPHE-S200H	2	85	83	78	60	55

## INSTALACIÓN

**UBICACIÓN DE LA BOMBA:** Instale la bomba en un lugar limpio, seco y ventilado, con drenaje adecuado, suficiente espacio para darle servicio y protegido contra temperaturas congelantes. Se le debe empujar niveladamente a un buen cimiento, de preferencia de concreto, para evitar cualquier tensión innecesaria. Ubicar la bomba lo más cerca posible de la fuente de agua reducirá las pérdidas por fricción en la tubería de succión y proporcionará las capacidades máximas.

**TUBERÍA DE SUCCIÓN:** Se recomienda se utilice solamente tuberías o mangueras nuevas y limpias y del mismo diámetro que la toma de succión de la bomba. Se recomienda una válvula de retención que asegure un fácil cebado. Si la bomba está lejos de la fuente de agua, el diámetro de la tubería de succión se debe aumentar un tamaño. Para evitar bolsas de aire en la línea, la tubería de succión siempre debe tener pendiente ascendente entre la fuente de agua y la bomba.

En casos que se tenga que cebar la bomba frecuentemente y donde no se necesite bombear grandes cantidades de agua, se recomienda instalar un codo de 90° ó 45° en la línea de succión. Esto le permite a la bomba cebarse más rápidamente y también evita que la manguera se acode. En los casos en que se necesite un volumen máximo de agua por períodos largos, la línea de succión debe estar casi horizontal con la bomba. Utilice un sellador no tóxico para rosca en todas las uniones de las tuberías, y las conexiones deben estar bien ajustadas. Se debe conectar un filtro o colador en el extremo inferior de la tubería de succión y éste debe estar bien sumergido en todo momento.

### ⚠️ ADVERTENCIA

#### - PELIGRO DE DESCARGA ELÉCTRICA

- **CABLEADO:** Asegúrese que el voltaje y la frecuencia del suministro eléctrico concuerde con los indicados en la placa de marca del motor. Si tiene dudas, comuníquese con la compañía eléctrica.

### ⚠️ ADVERTENCIA

#### - PRECAUCIONES ELÉCTRICAS

Todo el cableado, las conexiones eléctricas y los sistemas de contacto a tierra deben cumplir con el Código Eléctrico Nacional (NEC) y con todas las ordenanzas y códigos locales. Contrate a un electricista calificado.

**MONOFÁSICOS:** Determine cuál es el voltaje de entrada al motor. Utilice 230V cuando sea posible. Conecte el cableado al

terminal ubicado dentro de la tapa del motor. Asegúrese que las conexiones de voltaje concuerden con el diagrama de cableado en la placa de marca del motor.

**TRIFÁSICOS:** Los motores trifásicos requieren arrancadores magnéticos y pueden funcionar en cualquier dirección, dependiendo de cómo estén conectados al suministro eléctrico.

**Para verificar la rotación correcta:** Quite la tapa del motor, dejando expuesto el eje del motor. Si la conexión es correcta, el eje girará en el mismo sentido que las manecillas del reloj. Si la rotación es al contrario, intercambie cualquiera de dos cables que van al arrancador. La rotación ahora estará correcta.

### ⚠️ ADVERTENCIA

#### - PELIGRO DE DESCARGA ELÉCTRICA

**CÓMO CONECTAR EL MOTOR A TIERRA: EL CABLEADO A ESTA BOMBA DEBE SER INSTALADO Y MANTENIDO DE ACUERDO AL CÓDIGO ELÉCTRICO NACIONAL O A SU CÓDIGO LOCAL. SI NECESITA MAYOR INFORMACIÓN, LLAME A SU ELECTRICISTA AUTORIZADO LOCAL O A SU COMPAÑÍA ELÉCTRICA.**

Se recomienda se haga una conexión a tierra permanente para la unidad, utilizando un conductor del diámetro adecuado desde una tubería metálica subterránea de agua o un conductor conectado a tierra en el panel de servicio. No la conecte a tierra con una tubería de suministro de gas. No la conecte al suministro eléctrico hasta que la bomba esté conectada a tierra permanentemente. Conecte el cable de contacto a tierra con un contacto a tierra aprobado y luego conéctelo al terminal provisto.

## FUNCIONAMIENTO - CÓMO CEBAR LA BOMBA

⚠️ **AVISO:** NO OPERAR LA BOMBA ANTES DE CEBARLA PORQUE, EL SELLO Y EL IMPULSOR PODRÍAN DAÑARSE PERMANENTEMENTE.

**CÓMO CEBAR LA BOMBA:** La bomba tiene un tapón de cebado ubicado encima del casco para llenarla con agua. Una vez llenada y después que vuelva a colocar el tapón la bomba se cebará sola. El tiempo de cebado depende de las distancias verticales y horizontales entre la bomba y el nivel de agua.

⚠️ **CUIDADO:** NO haga funcionar la bomba antes de llenar el cuerpo de la misma con agua, ya que puede dañar el sello.

**CARGADO BAJO PRESIÓN:** (Vea la Fig. 1). Si fuera necesario cebar la bomba a presión, instale una válvula de retención en la línea de descarga de la bomba y un grifo de descompresión o un purgador de aire del tipo de bola en lugar del tapón de cebado, o una línea de purga de aire con una válvula de compuerta conectada a la línea de descarga. Esto permitirá que el líquido se quede en la tubería de descarga y que la bomba purgue el aire que quede, facilitando así el cebado.

**ROTACIÓN DEL IMPULSOR:** El impulsor debe girar en sentido contrario a las manecillas del reloj cuando se ve la bomba desde el frente del cuerpo de la misma. Si el impulsor rotara en sentido contrario en los modelos con motores eléctricos, vea las instrucciones proporcionadas con el motor. La rotación de los motores trifásicos se puede invertir intercambiando cualquiera de dos cables.

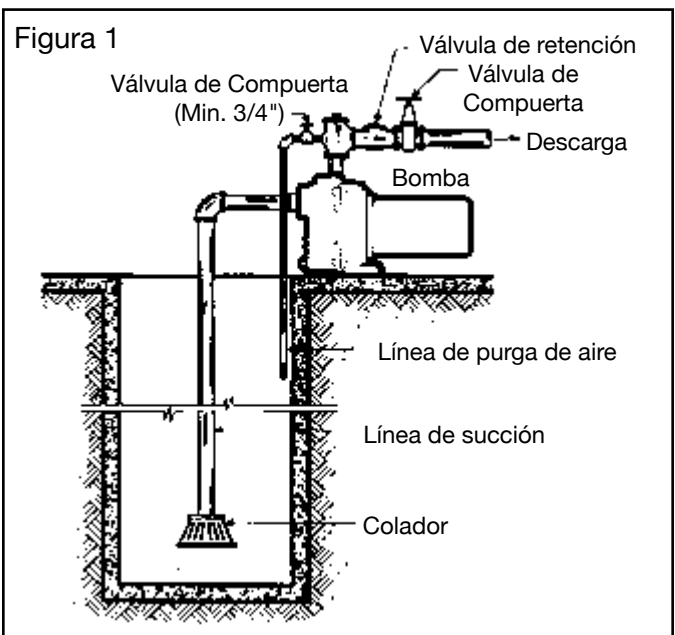
**CÓMO PRENDER LA BOMBA:** Nunca haga funcionar la bomba en seco, ya que podría dañar el sello. Si se usa una línea de succión excepcionalmente larga, el agua en el cuerpo de la bomba se puede recalentar y la línea de succión se puede bloquear con el vapor. Si esto ocurre, reemplace el agua en el cuerpo de la bomba con agua fría y continúe cebando.

**DRENAJE:** Si la bomba va a estar expuesta a temperaturas congelantes, será necesario drenar la bomba completamente. Para hacer esto, quite el tapón de drenaje ubicado en la parte inferior frontal del cuerpo de la bomba, y el de cebado, y asegúrese que el agujero de drenaje no esté bloqueado. Una vez que se haya drenado toda el agua, haga funcionar la bomba

por unos segundos para sacar todo el líquido del impulsor (asegúrese que la línea de succión también esté sin agua).

**ALMACENAMIENTO DE LA BOMBA:** Drene el líquido de la bomba para evitar el congelamiento del mismo. Se recomienda se use un buen antioxidante en la cámara para el líquido para evitar la corrosión excesiva. Asegúrese que el motor se mantenga seco y cubierto.

Cuando vuelva a usar la bomba, vuelva a colocar todos los tapones y asegúrese que todas las conexiones estén bien ajustadas y selladas. Luego de una revisión completa, haga el cargado inicial de acuerdo a las instrucciones bajo la sección Cómo Cargar la Bomba.



## MANTENIMIENTO

### ⚠️ ADVERTENCIA - PRECAUCIONES ELÉCTRICAS

Todo el cableado, las conexiones eléctricas y los sistemas de contacto a tierra deben cumplir con el Código Eléctrico Nacional (NEC) y con todas las ordenanzas y códigos locales. Contrate a un electricista calificado.

### ⚠️ ADVERTENCIA - RIESGO DE DESCARGA ELÉCTRICA

- Haga que un electricista le conecte la electricidad al motor.
- El motor debe estar conectado a tierra y la tapa del terminal debe estar puesta para reducir el peligro de descarga eléctrica.
- Mantenga el área de operación del motor lo más seca posible.
- Se recomienda usar un circuito protegido por un dispositivo interruptor de circuito por falla de corriente a tierra (GFI) para cualquier aparato eléctrico que opere cerca del agua.
- Siempre desconecte el suministro eléctrico antes de darle servicio.
- No se ha investigado su uso para el área de piscinas.

### LUBRICACIÓN:

- a) La bomba no necesita lubricación.
- b) Para los modelos de motores eléctricos, vea las instrucciones proporcionadas por el fabricante del motor.

### Desarmado (Refiérase a la Figura 2):

- 1) Corte el suministro eléctrico a la bomba desde el tablero general y desconecte la bomba del suministro eléctrico.
- 2) Abra una válvula o grifo para liberar la presión.
- 3) Saque los tapones de drenaje y de cebado para que la bomba pueda drenar.
- 4) Saque los cuatro pernos (11) y saque la cubierta (1).
- 5) Saque los tres tornillos para separar el difusor (3) del adaptador del motor (2).
- 6) Saque la tapa (5) e inserte un destornillador para evitar que el eje se mueva al desenroscar el impulsor (4). Para motores más grandes, saque la tapa posterior y sostenga el eje con una llave inglesa plana insertada desde un costado, a través de la abertura al final de la cubierta el impulsor tiene una rosca de giro a la derecha. Si no puede girar el impulsor con la mano, inserte un objeto plano entre las paletas del impulsor. **NOTA:** usar llave de cadena en el ojal del impulsor para el cambio del impulsor.
- 7) Saque el sello de rotación (13) del centro del impulsor.
- 8) Para reemplazar el asiento del sello (13A); saque los pernos (10) para separar el motor (9) del adaptador (2). Empuje el asiento del sello (13A) fuera del adaptador del motor (2) por el costado del motor.

### Armado:

- 1) Limpie bien todas las piezas cuidadosamente antes de volver a armar la bomba.
  - 2) Lubrique levemente (con agua jabonosa) la tapa de goma del sello de cerámica (13A) y empújelo dentro del adaptador con sus dedos únicamente. Verifique que la superficie lisa del asiento de cerámica quede apuntando hacia fuera.
- NOTA: Si la bomba estará fuera de servicio por más de una semana, los componentes del sello deben instalarse secos (sin lubricarlos).
- 3) Coloque el adaptador nuevamente en el motor.
  - 4) Lubrique el sello de rotación (13) (con agua jabonosa) y deslícela sobre el cubo del impulsor con el anillo de 'carbón' el asiento de cerámica. Aplique adhesivo a las roscas del impulsor antes de instalar el impulsor.
  - 5) Reinstale el impulsor (4) y el difusor (3).
  - 6) Reinstale la cubierta (1) verificando que la junta no esté dañada y que esté en su lugar.
  - 7) Reconecte los tubos al casco de la bomba y al interruptor de presión.
  - 8) Reconecte el suministro eléctrico.
  - 9) Ceba la bomba, enciéndala y revise si hay pérdidas.

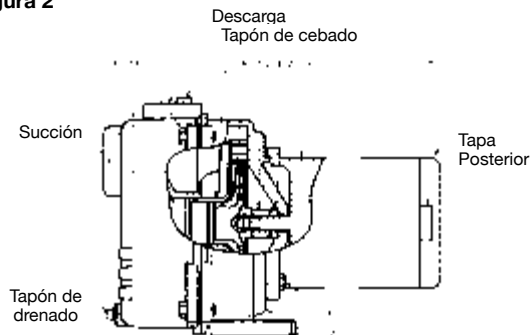
### Mantenimiento preventivo:

Al final de la temporada, drene el agua remanente en el casco sacando el tapón de drenaje en el fondo de la bomba y lávela internamente con agua limpia. Reinstale el tapón de drenaje y rellene la bomba con líquido anticongelante para vehículos recreacionales (RV). Recuerde drenar el anticongelante y lavar la bomba internamente antes de volverla a usar en la siguiente temporada.


### Precauciones:

Cada vez que desarme la bomba y la vuelva a armar, siempre verifique que el impulsor pueda girar libremente dentro del difusor.

Figura 2

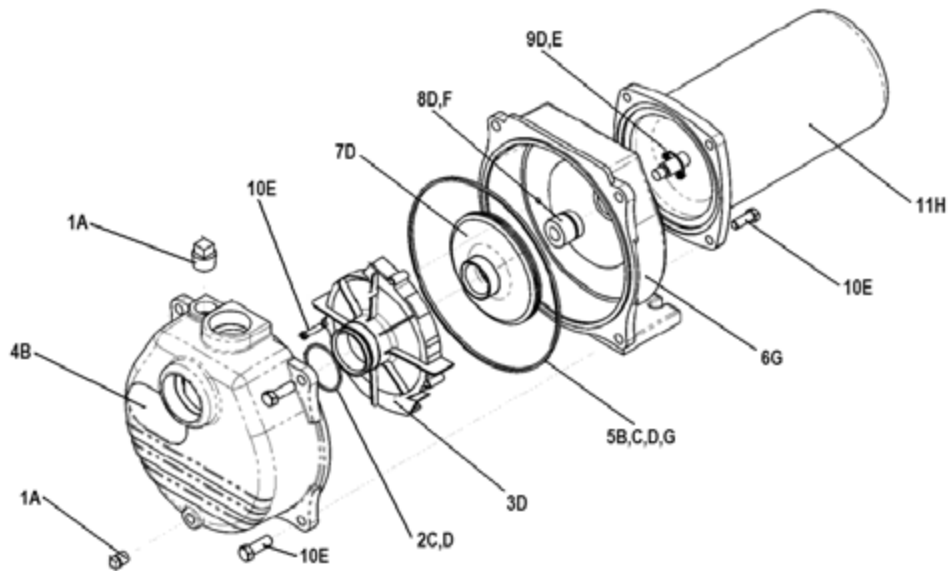


## GUÍA PARA SOLUCIONAR PROBLEMAS

PROBLEMAS Y SUS CAUSAS	SOLUCIONES
<b>No bombea:</b>	
La bomba no está bien cebada.	Asegúrese que el cuerpo de la bomba y la línea de succión estén llenas de agua. Vea las instrucciones de cebado.
La velocidad es muy lenta.	 <b>ADVERTENCIA - PRECAUCIONES ELÉCTRICAS</b> Todo el cableado, las conexiones eléctricas y los sistemas de contacto a tierra deben cumplir con el Código Eléctrico Nacional (NEC) y con todas las ordenanzas y códigos locales. Contrate a un electricista calificado. Revise el voltaje en los terminales del motor y en el medidor cuando la bomba esté funcionando. Si está bajo, vea las instrucciones de cableado o consulte con su compañía eléctrica. Asegúrese que no haya conexiones flojas.
La columna total de agua excede la capacidad de diseño de la bomba.	Se necesita una bomba diseñada para mayor presión.
La altura de succión es demasiada.	Coloque la bomba más cerca de la fuente de agua. Asegúrese que el diámetro de la tubería de succión es lo suficientemente grande.
<b>No bombea:</b>	
<b>Capacidad y/o Presión Reducidas:</b>	
Fugas o bolsas de aire en la línea de succión.	Revise la tubería de succión.
<b>No bombea:</b>	
<b>Capacidad y/o Presión Reducidas:</b>	
Fugas o bolsas de aire en la línea de succión.	Revise la tubería de succión.
impulsor trabado.	Sáquelo y límpielo.
El colador es muy pequeño o está atorado.	Utilice un colador más grande o límpielo.
La línea de succión no está suficientemente sumergida.	Añada tramos a la tubería de succión para mantenerla sumergida y bien por debajo del nivel del agua.
Demasiada presión de succión.	Si es causada por la fricción de la tubería de succión, use una tubería de mayor diámetro. Caso contrario, coloque la bomba más cerca al nivel de agua.
La columna total de agua excede la capacidad de diseño de la bomba.	Se necesita una bomba diseñada para mayor presión.
El impulsor está excesivamente gastado.	Pida las piezas de repuesto usando la Lista de Piezas de Repuesto.
<b>La Bomba Pierde pierde su cebado</b>	
Intrusión de aire en la línea de succión.	Revise la tubería de succión.
La altura de succión es excesiva y está funcionando muy cerca del punto de apagado.	Coloque la bomba más cerca al nivel de agua.
El nivel del agua baja cuando se bombea, dejando la tubería de succión al descubierto.	Revise el suministro de agua. Añada tramos a la tubería de succión para mantenerla sumergida y bien por debajo del nivel del agua.
<b>Problemas y Ruidos Mecánicos:</b>	
Eje doblado y/o rodamientos dañados.	Lleve el motor a un taller de reparaciones autorizado.
Las tuberías de succión y/o descarga no están debidamente apoyadas o sujetadas.	Asegúrese que todas las tuberías estén bien apoyadas para aliviar la tensión sobre el conjunto de la bomba.



## PIEZAS DE REPUESTO



Número	Descripción	Identificador del grupo del kit	Códigos de pedido para piezas de repuesto por número de modelo				
			3/4 hp	1 hp	1-1/2 hp	2 hp	2 hp (High Pressure)
1	Kit de tapones	A	305446953				
2	Junta tórica	C	305446909				
		D	305446902	305446903	305446904	305446905	305446906
3	Difusor	D	305446902	305446903	305446904	305446905	305446906
4	Funda	B	305446901				
5	Empaquetaduras	C	305446909				
		D	305446902	305446903	305446904	305446905	305446906
		G	305446908				
6	Adaptador	G	305446908				
7	Impulsor	D	305446902	305446903	305446904	305446905	305446906
8	Sello mecánico	F	106196221			106196227	
		D	305446902	305446903	305446904	305446905	305446906
9	Lubricador	D	305446902	305446903	305446904	305446905	305446906
10	Juego de sujetadores*	E	305446907				
11	Motor	H	305446956	305446957	305446958	305446959	

Los elementos con identificadores iguales se venden/empaican juntos

El kit de sujetadores (10E) es un juego completo de las piezas utilizadas para ensamblar la bomba. Con fines prácticos, los kits de reparación B, D, y G contienen los sujetadores necesarios para volver a armar sus componentes.

# GARANTÍA LIMITADA\*

## LA PRESENTE GARANTÍA ESTABLECE LA OBLIGACIÓN EXCLUSIVA DE LA EMPRESA Y LA SOLUCIÓN EXCLUSIVA DEL COMPRADOR ANTE UN PRODUCTO DEFECTUOSO.

Franklin Electric Company, Inc. y sus filiales (de aquí en adelante, "la Empresa") garantizan los productos que acompañan esta garantía contra defectos de material o mano de obra de la Empresa.

La Empresa tiene el derecho de inspeccionar cualquier producto devuelto en garantía para confirmar que dicho producto tiene un defecto de material o mano de obra. La Empresa tiene el derecho exclusivo de elegir si desea reparar o reemplazar los equipos, las piezas o los componentes defectuosos.

El comprador debe devolver el producto al lugar de compra para que se considere su garantía. Con sujeción a los términos y condiciones enumerados a continuación, la Empresa reparará o reemplazará al comprador cualquier parte de este producto que resulte defectuosa como consecuencia del material o la mano de obra de la Empresa.

La Empresa considerará los productos para su garantía durante 12 meses a partir de la fecha de instalación o durante 24 meses a partir de la fecha de fabricación, lo que suceda primero.

EN NINGÚN CASO la Empresa se responsabilizará por el costo de mano de obra ni por otros costos en los que haya incurrido un cliente al sacar y/o colocar un producto, pieza o componente.

La Empresa se reserva el derecho de cambiar o mejorar sus productos o cualquiera de sus partes sin verse obligada a ofrecer dicho cambio o mejora a productos vendidos anteriormente.

ESTA GARANTÍA NO SE APLICA A los productos dañados por casos de fuerza mayor, como rayos, desgaste y rotura normales, servicios de mantenimiento normales y las piezas utilizadas en conexión con dichos servicios, ni otras condiciones que excedan el control de la Empresa.

Cualquiera de las condiciones expuestas a continuación INVALIDARÁ INMEDIATAMENTE ESTA GARANTÍA:

1. El producto se utiliza para fines que no son para los que fue diseñado y fabricado;
2. El producto no se instaló de conformidad con los códigos, ordenanzas y prácticas comerciales aceptadas aplicables;
3. El producto no fue instalado por un contratista certificado por Franklin; o
4. El producto se dañó como consecuencia de descuido, abuso, accidente, uso indebido, manipulación, alteración, instalación impropia, operación, mantenimiento o almacenamiento, o por superar los valores máximos recomendados establecidos en las instrucciones del producto.

TANTO EL VENDEDOR COMO LA EMPRESA NO SE RESPONSABILIZARÁN POR NINGUNA LESIÓN, PÉRDIDA O DAÑO, DIRECTO, ACCIDENTAL O CONSECUENTE (INCLUIDOS, ENTRE OTROS, DAÑOS ACCIDENTALES O CONSECUENTES POR GANANCIAS PERDIDAS, VENTAS PERDIDAS, LESIONES PERSONALES O DAÑOS MATERIALES, O CUALQUIER OTRA PÉRDIDA ACCIDENTAL O CONSECUENTE) QUE SURJA DEL USO O LA INCAPACIDAD DE USO DEL PRODUCTO, Y EL COMPRADOR ACEPTA QUE NO HABRÁ OTRA SOLUCIÓN PARA ELLO.

LA GARANTÍA Y SOLUCIÓN DESCRITAS EN ESTA GARANTÍA LIMITADA CONSTITUYEN UNA GARANTÍA Y SOLUCIÓN EXCLUSIVAS, Y SUSTITUYEN CUALQUIER OTRA GARANTÍA O SOLUCIÓN, EXPLÍCITA O IMPLÍCITA, QUE OTRAS GARANTÍAS Y SOLUCIONES QUEDAN EXPLÍCITAMENTE EXCLUIDAS, INCLUIDAS, A MODO DE EJEMPLO, CUALQUIER GARANTÍA IMPLÍCITA DE MERCANTIBILIDAD O ADECUACIÓN PARA UNA FINALIDAD ESPECÍFICA, AL PUNTO EN QUE CUALQUIERA SE APLICA A UN PRODUCTO, TENDRÁ UNA DURACIÓN LIMITADA A LOS PERIODOS DE LAS GARANTÍAS EXPLÍCITAS QUE SE MENCIONARON ANTERIORMENTE.

DESCARGO DE RESPONSABILIDAD: Todas las afirmaciones verbales acerca del producto realizadas por el vendedor, la Empresa, los representantes o cualquier otra parte no constituyen garantías, no deben ser tenidas en cuenta por el comprador y no forman parte del contrato de compraventa. La única obligación del comprador y de la Empresa, y la única solución del comprador, será el reemplazo y/o la reparación del producto por parte de la Empresa, tal como se describe anteriormente. Antes de usar el producto, el usuario debe determinar si éste es adecuado para el uso que se le desea dar, y el usuario asume todo riesgo y responsabilidad en conexión con dicho uso.

Algunos estados y países no permiten la exclusión o limitación de la duración de garantías implícitas, o la exclusión o limitación por daños accidentales o consecuentes; por eso, la exclusión o limitación anterior puede no aplicarse en este caso. Esta garantía le otorga derechos legales específicos, y usted también puede tener otros derechos que varíen según el estado o el país.

\*Contacte la División de Exportación de Franklin Electric Co., Inc. para informarse sobre Garantía Internacional.



**Franklin Electric**

400 E. Spring Street, Bluffton, IN 46714  
Tel: 260-824-2900 Fax: 260-824-2909  
www.franklin-electric.com