

Outdoor Living Water Features & Pond Products

External Use Pumps

OPWG-Series

Ideal for indoor or outdoor use, Little Giant energy-efficient out-of-pond pumps are easy to maintain since they are out of the water. They are engineered for continuous-duty operation and long life. To protect and extend the life of your pump, a leaf basket (listed below) is recommended.

- Great energy efficient pump option
- Simplifies maintenance
- Leaf basket acts as priming chamber
- OPWG-71 and OPWG-97 come with 230 V option



OPWG-46

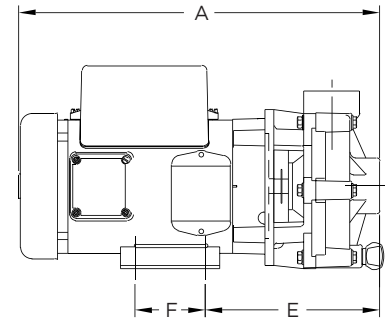


OPWG-29

OPWG-SERIES	Item Number	Amps	Watts	Volts	Cord (ft)	Inline Use	Discharge	Intake	Gallons Per Hour (GPH) at height				Shut Off (ft)
									5'	10'	15'	20'	
OPWG-29	566020	1.1	92	115 V	8'	✓	1-1/2" NPT	2" NPT	1740	300	-	-	11
OPWG-46	566021	1.3	132	115 V	8'	✓	1-1/2" NPT	2" NPT	2700	1500	-	-	12
OPWG-71	566023	2.5	257	115/230 V	none	✓	1-1/2" NPT	1-1/2" NPT	4260	3540	2700	600	21
OPWG-97	566024	3	335	115/230 V	none	✓	1-1/2" NPT	1-1/2" NPT	5820	5040	4080	2700	22

DIMENSIONS (INCHES)

	A	B	C	D	E	F	G	H	J	K
OPWG-29	10.30	6.53	6.70	-	4.41	-	3.19	2.13	2	1.5
OPWG-46	10.30	6.53	6.70	-	4.41	-	3.19	2.13	2	1.5
OPWG-71	15.14	9.25	7.45	8.70	7.26	3.00	3.50	2.75	1.5	1.5
OPWG-97	15.14	9.25	7.45	8.70	7.26	3.00	3.50	2.75	1.5	1.5



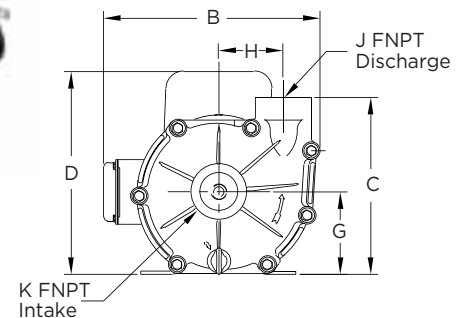
OUT-OF-POND PUMP ACCESSORIES

OUT-OF-POND LEAF BASKET LB-OPWG

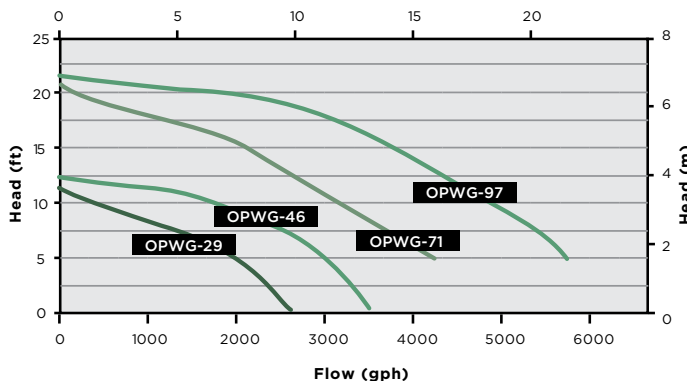
Item Number
566106

Advantages

- Minimizes intake debris
- Pump attachment fittings included



OPWG-Series Flow (lph) in 1000s



Little GIANT®

Outdoor Living

HOTLINE 888.956.0000

lg-outdoor.com

≤ 400 Gal
≤ 800 Gal
≤ 1200 Gal
≤ 2400 Gal
> 2500 Gal
Professional
Decor
Maintenance