

LittleGIANT®

INLINE 400 PRESSURE BOOSTING SYSTEM

The Inline 400 is designed to be compact and an economical way to meet all of your pressure boosting needs. The unit's symmetrical design allows for easy installation (mounting either vertically or horizontally) while also enabling it to work with your existing plumbing configuration.



* Patent Pending

littlegiant.com

 **Franklin Electric**



INLINE 400

APPLICATIONS

- City water pressure boosting
- Pressurize water from cistern tank
- Re-pressurizing after filtration
- Irrigation system boosting

FEATURES

- Utilizes proven Franklin Electric pump and motor to create the most trustworthy product on the market
- Simple flow-based controls mean you get the pressure every time you need it
- Whisper quiet operation
- Installs vertically or horizontally
- 1" NPT inlet and outlet
- 115 V and 230 V models available
- Plug-in electrical cord connected unit
- Protective features: Over/Under voltage protection, dry run, and over temperature
- Product power rating: 1/3 hp, 0.246 kW
- Maximum water temperature: 120 °F / 49 °C

SPECIFICATIONS

Volts	Hz	Amps	Watts	Performance (psi @ gpm)				
		FLA		0	5	10	15	20
115	60	6.6	0.25 kW	55	53	44	32	14
230	60	3.3	0.25 kW	55	53	44	32	14

Item No	Model	HP	Volts	Cord	Weight (lbs.)
92061503	Inline 400	1/3	115	6' w/ plug	35
92061504	Inline 400	1/3	230	6' w/ plug	35

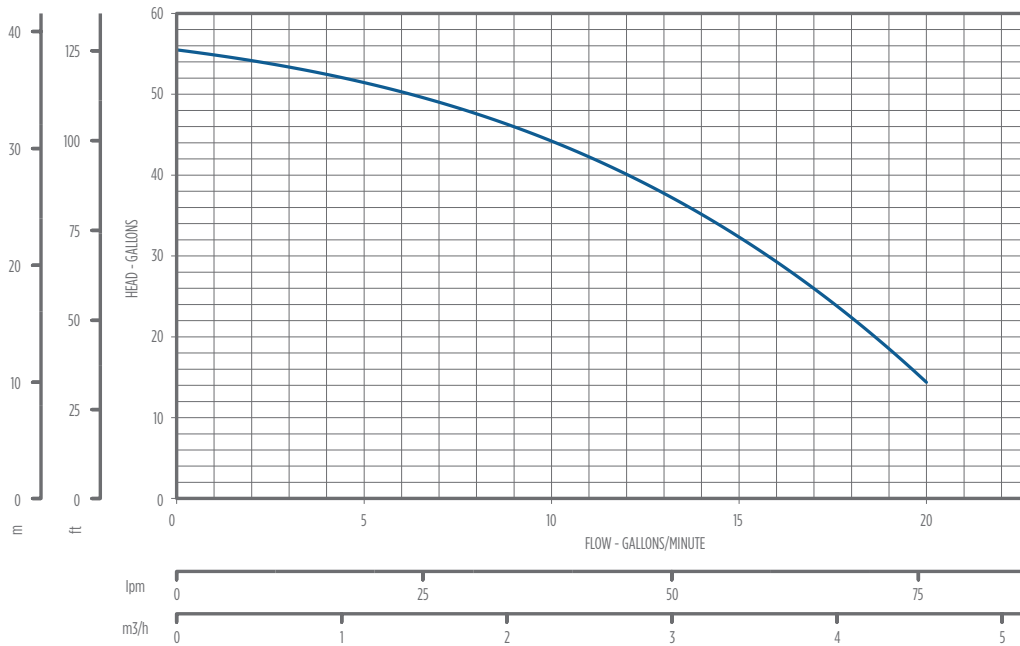
REPLACEMENT PARTS AND KITS

Model Description	Item No.
Tank Wrench	305572001
Horizontal Mount Kit	305572002
Inlet Pressure Switch	305572007
Outlet Pressure Switch	305572008
Replacement Tank	305572009
Replacement Cover	305572010
Replacement Base	305572011
Motor Capacitor - 115 V	305572012
Motor Capacitor - 230 V	305572013
Power Cord - 115 V	305572014
Power Cord - 230 V	305572015
Flow Piston Kit	305572016
Tank O-ring	305572017

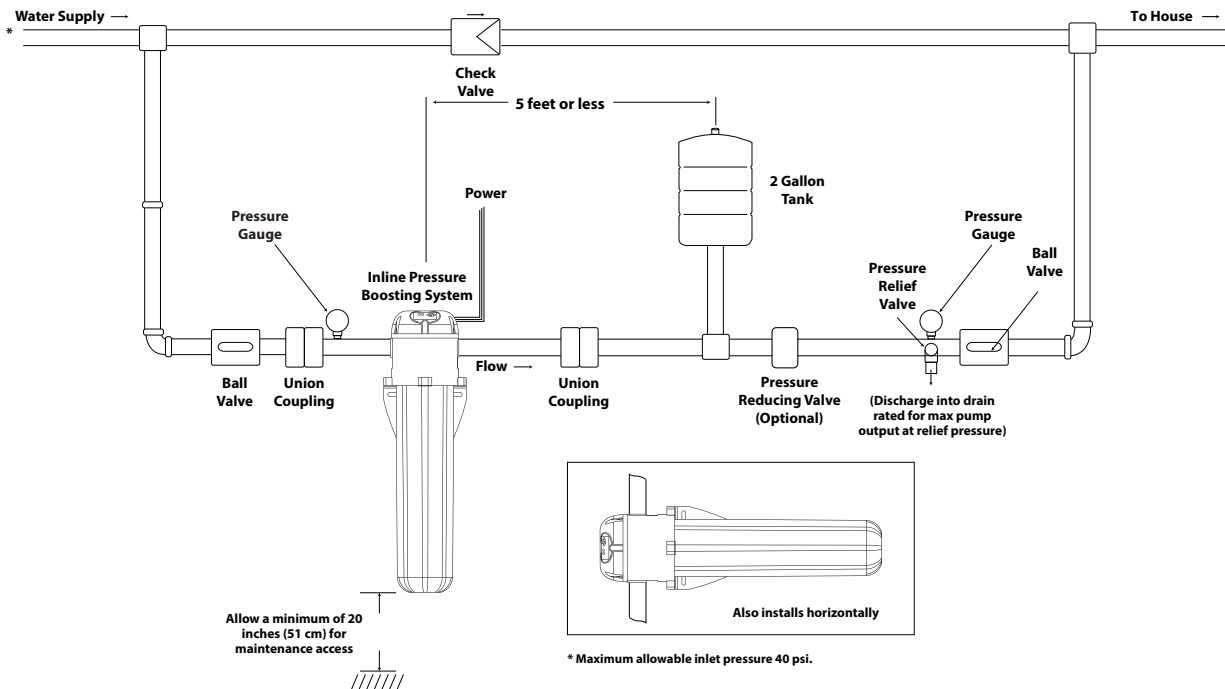


INLINE 400

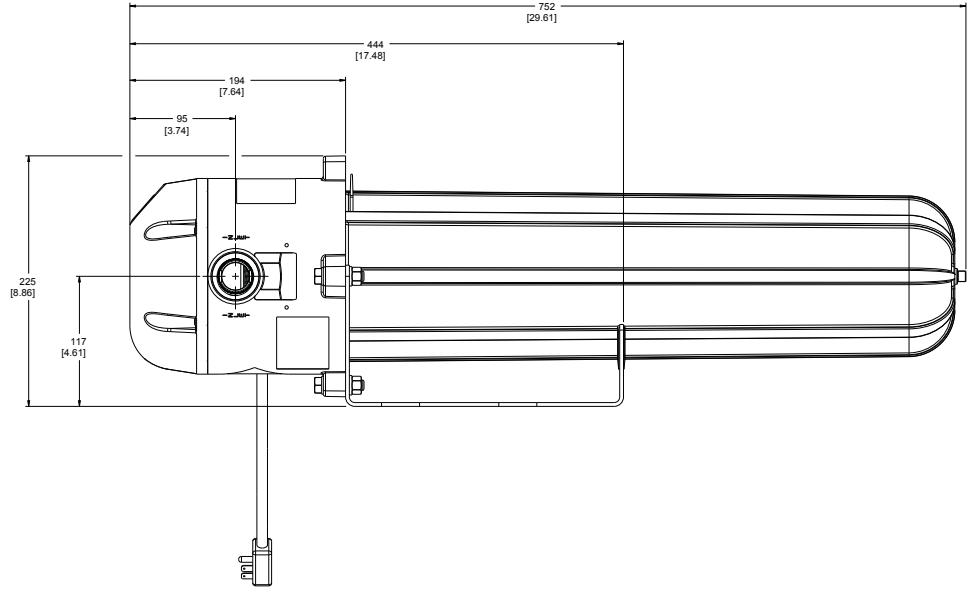
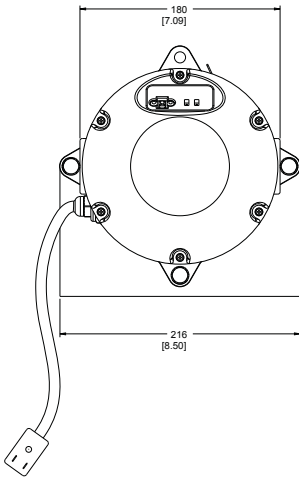
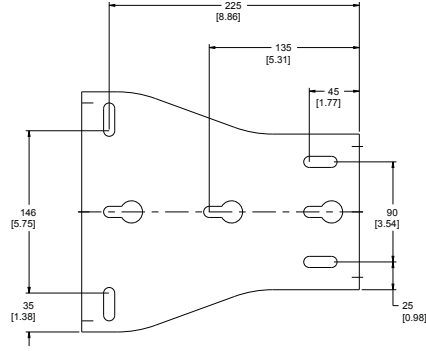
PERFORMANCE



TYPICAL INSTALLATION



DIMENSIONS



LittleGIANT®