

## 3-ABS Series



### Applications

- Utilizing a sealed, submersible pump with collection tank, the 3-ABS is an ideal choice for a self-contained, high volume, high head condensate removal pump. An integrated, unique float switch design assures reliability and security while providing easy access to the float for servicing.

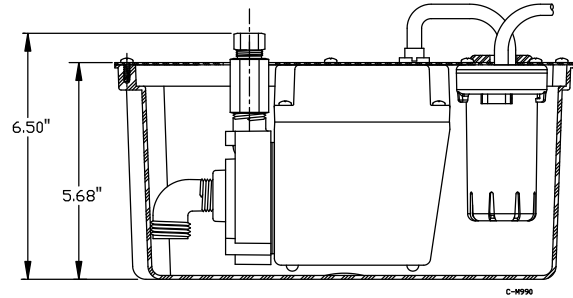
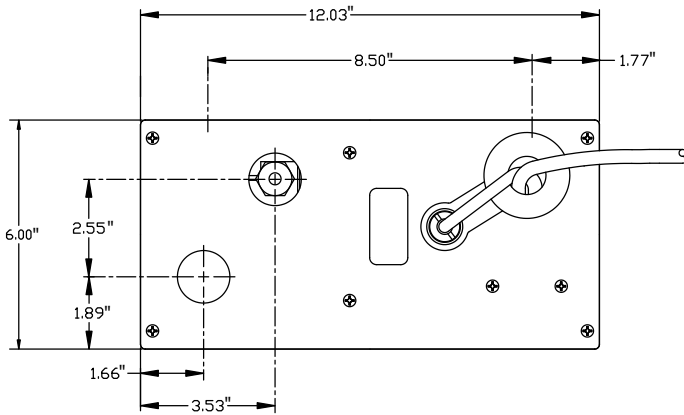
### Features

- Includes 1 gallon ABS tank
- Permanently lubricated motor bearings require no maintenance during life of pump
- Oil-filled to maximize heat dissipation
- Epoxy-coated cast aluminum pump housing
- Galvanized steel tank cover has 1-1/8" inlet opening
- Automatic operation:  
On level – 4.5" Off Level – 3.5"
- Easy to remove float housing for servicing
- Includes removable inlet filter screen
- 1/2" MNPT pump discharge with brass check valve and compression fitting for 1/2" OD copper or rigid plastic tubing
- Powerful 1/12 hp pump motor
- Suitable for intermittent water temperature up to 120 °F
- Includes 9 ft power cord with molded plug (115 V version)

### Construction

- Motor – 1/12 hp
- Intake – 1-1/4" diameter
- Discharge – 1/2" MNPT
- Pump housing/cover – Epoxy-coated cast aluminum
- Tank Cover – Galvanized steel
- Volute – Nylon
- Impeller – Nylon
- Shaft Seal – Nitrile
- Screen – Polyethylene

## Dimensional Outlines



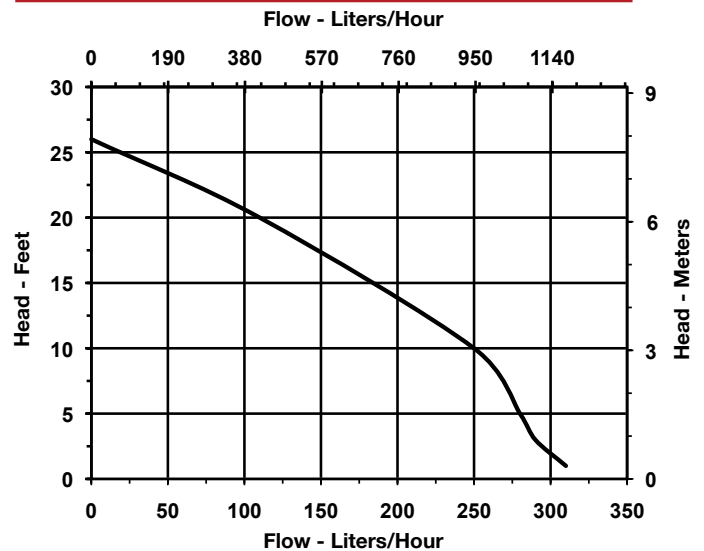
## Specifications

Item No.	Model No.	Discharge	HP	Volts	Hertz	Amps	Watts	Performance (GPH @ Head)					Shut Off (ft)	PSI	Power Cord (ft)	Weight (lbs)
								1'	3'	5'	10'	20'				
551320	3-ABS	1/2"	1/12	115	60	3.5	210	310	290	280	250	110	26'	11.2	9'	12
551330	3-ABS	1/2"	1/12	230	50/60	1.8/1.6	210	310	290	280	250	110	26'	11.2	11'	12

## Replacement Parts

Tank	153502
Cover	151410
Check Valve	940003
Volute	103376
Impeller	104435
Gasket	103601
Float Replacement	950061
Float Screen	950284
Elbow, Inlet	119007

## Performance Data



Franklin Electric  
P.O. Box 12010  
Oklahoma City, OK 73157-2010  
Phone: 1.800.701.7894  
Fax: 1.800.678.7867  
www.LittleGiantPump.com