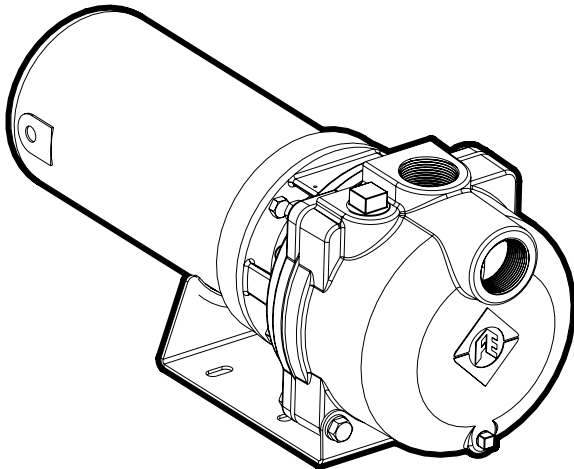




Franklin Electric



# Self Priming Sprinkler Pump OWNER'S MANUAL



## BEFORE YOU START

**BEFORE INSTALLING PUMP, BE SURE TO READ THIS OWNER'S MANUAL CAREFULLY.**

**REFER TO PRODUCT DATA PLATE(S) FOR ADDITIONAL OPERATING INSTRUCTIONS AND SPECIFICATIONS.**

### **CAUTION**

- Keep work area clean, well-lit and uncluttered.
- Keep safety labels clean and in good condition.
- Replace missing or damaged safety labels.
- Wear safety glasses while installing or performing maintenance on pump.
- Adhere to the guidelines of the National Electric Code (NEC) or Canadian Electric Code (CEC), and any other state and local codes for ALL electrical installations. Check with the appropriate agencies or contact a licensed electrician.

Most water system problems result from improper installation. It is suggested that you read this manual carefully before installing your pump. The "TROUBLESHOOTING SECTION" will assist you in locating and eliminating the cause of any trouble you may encounter after installation. Check and make available all the tools you will need to install your pump. Required tools may include wrenches, pipe sealant, pipe fittings and nipples, screwdriver, etc.

Be sure to have available proper and adequate wiring material to complete the installation correctly.

## READ AND FOLLOW SAFETY INSTRUCTIONS

**!** This is the safety alert symbol. When you see this symbol on your pump or in this manual, look for one of the following signal words and be alert to the potential for personal injury:

**DANGER** warns about hazards that will cause serious personal injury, death or major property damage if ignored.

**WARNING** warns about hazards that **can** cause serious personal injury, death or major property damage if ignored.

**CAUTION** warns about hazards that **will or can** cause minor personal injury or major property damage if ignored.

**NOTICE** indicates special instructions, which are important but not related to hazards.

**Carefully read and follow all safety instructions in this manual and on pump.**



**WARNING HAZARDOUS PRESSURE:** Do not run pump against closed discharge. Release all system pressure before working on any component.

**CAUTION** Do not run pump dry. Fill pump with water before starting or pump will be damaged.

The motor on this pump is guaranteed by the manufacturer and in event of failure it must be returned to an authorized service station for repairs. Motor warranty is void if repairs aren't made by an authorized repair station.




## **ELECTRICAL SAFETY**

**⚠ CAUTION** Make sure all ELECTRICAL POWER IS OFF before connecting any electrical wires.

**⚠ WARNING** Capacitor voltage may be hazardous. To discharge motor capacitor, hold insulated handle screwdriver BY THE HANDLE and short capacitor terminals together. Do not touch metal screwdriver blade or capacitor terminals or electrical shock could occur. If in doubt, consult a qualified electrician.

**⚠ WARNING**



**Hazardous voltage. Can shock, burn, or cause death.**

Ground pump before connecting to power supply. Disconnect power before working on pump, motor or tank.

**⚠** Wire motor for correct voltage. See “Electrical Installation” section of this manual and motor nameplate.

**⚠** Ground motor before connecting to power supply.

**⚠** Meet National Electrical Code (NEC) or Canadian Electrical Code (CEC) and local codes for all wiring.

**⚠** Follow all pump wiring instructions provided in this manual.

**⚠ CAUTION** DO NOT touch an operating motor. The surface of the motor may be HOT. Allow the motor to cool for thirty (30) minutes before handling.

## **GENERAL SAFETY**

- Do not allow pump or any system component to freeze. To do so will void the warranty.
- This pump has been evaluated for pumping water only. Pumping liquids other than water may void warranty.
- Periodically inspect pump and system components.

## **INTRODUCTION**

You have purchased one of the most user friendly pumps available. The Turf Boss pumps are made with high quality materials which are designed to provide you with years of reliable service. Lawn sprinklers are designed to maximize output flow, while still maintaining the ability to draw water from a source up to 25 feet below the pump. All mechanical parts, motor, impeller, electrical controls, etc., are above ground within easy reach. If service is ever necessary, simple hand tools will do the job. This lawn sprinkler pump installs easily and quickly without the need for special tools or pump rigs. You can install it yourself provided you follow closely the instructions contained in this manual.

## **INSPECT YOUR SHIPMENT**

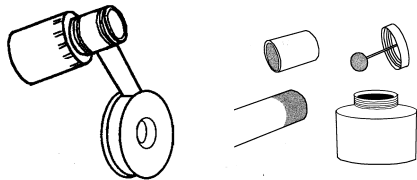
All Turf Boss lawn sprinkler pumps are carefully tested, inspected, and packaged to insure their arrival in perfect condition. When the pump is received, examine it closely to make sure there is no damage or broken parts that may have occurred in shipping. If damage is evident, report this immediately to your shipping carrier and dealer. This shipping carrier assumes full responsibility for the shipment’s safe arrival. Any claim for damage to the shipment, either visible or concealed, must be made through the shipping carrier first.

## **PRE-INSTALLATION CHECK**

- Pump must not be more than 25 feet above the surface of the water.
- Use as few elbows and fittings as possible to reduce friction and maximize flow.
- Be sure pipe, fittings, and foot valve are clean and free of debris.
- There should be no air pockets or leaks in the suction pipe.
- PTFE tape should be used to seal threaded pipe connections.

## **INSTALLATION TIPS**

- Wrap all threaded male pipe ends and fittings with PTFE tape. This will ensure a good seal around all pipe connections.
- PVC Pipe Connections: Use PVC pipe primer on all glue joints before applying PVC cement. After applying PVC cement to both surfaces to be glued, connect pipe and fitting, turn pipe one-quarter turn and hold for 30 seconds. This will ensure a positive cementing of all joints.



## **INSTALLATION**

### **LOCATION OF PUMP**

**Decide on an area for the pump installation that is suitable based on the enclosure rating of the electric pump motor. All Turf Boss pumps are UL778 approved and will be marked "ACCEPTABLE FOR OUTDOOR or INDOOR USE."**

#### **• INDOOR PUMP INSTALLATION OPTION:**

Choose a clean, well-ventilated, weatherproof location that affords protection from freezing, flooding, and excessive heat. In addition, it should provide access for servicing and allow convenient draining of the pump and service pipes. A prepared foundation is not essential, provided the surface is hard and level. It can be located in the basement or utility room of your house, at the well or between the point of use and the well.

#### **• OUTDOOR PUMP INSTALLATION OPTION:**

When installing outside of the house, the pump should be protected by a pump house with auxiliary heat to prevent possible freezing.

Choose a clean location best suited for the water system. A prepared foundation is not essential, provided the surface is hard and level. It should provide access for servicing and allow convenient draining of the pump and service pipes. When installing outside of the house, the pump and piping system must be drained completely of water to prevent possible freezing when weather dictates.

Decide how to seal the well from surface contamination as required by local authorities. The most common device for this purpose is the **SANITARY WELL SEAL**. If the pipes from the well have to be kept below the

frost line, either bury the wellhead or use a **PITLESS ADAPTER** that leaves the wellhead exposed for servicing while providing sealed openings in the well casing below the frost line.

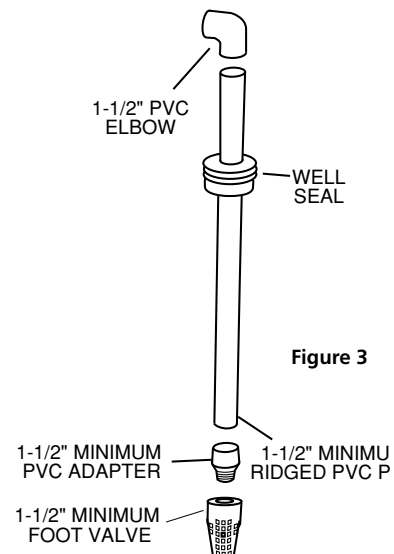
**Following are three well and water source applications for the Turf Boss sprinkler pump. Wells may differ slightly but the application is essentially the same.**

### **Single Shallow Well (Figure 1)**

The single shallow well is typically a drilled well with a 4" or 6" steel or plastic casing running vertically into the ground. The surface of the water should not exceed 25 feet in depth.

Connect the foot valve to the first length of suction pipe and lower into well. Add pipe sections as needed, securing them using one of the sealing methods previously mentioned. The foot valve should be **AT LEAST** five feet below the surface of the water to allow for water draw down.

Seal the top of the 4" or 6" well casing with a well seal to prevent debris from falling into the well.



**Figure 1**

### **Multi-shallow Well Points (Figure 2)**

The multi-point shallow well configuration consists of two or more wells as a water supply. The wells should be at least five feet apart. The wells may be spaced as a straight line (two or more wells), a triangle (three wells), or a square (four wells).

Install a check valve or a fine screen well point on each well to ensure the pump maintains prime. The flow arrow on a check valve must point toward the pump.

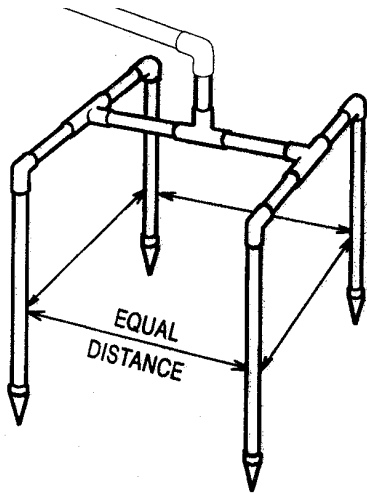


Figure 2

### Lake Or Pond Installation (Figure 3)

Using a surface water source such as a lake or pond is similar to using a single shallow well. The suction pipe is placed in the water source and leads back to the pump. This application may require a long horizontal distance between water source and pump.

The suction pipe size should increase by one size to minimize pressure loss caused by friction from pipe distance.

Place a foot valve at the end of the suction pipe to protect the pump from debris.

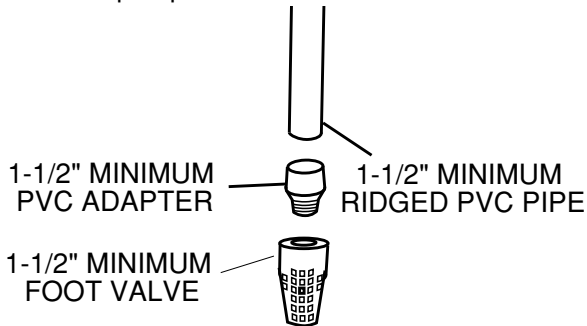


Figure 3

### PLUMBING

Bolt the pump to a level, solid foundation, if possible. Position the pump with the suction port facing the water source pipe(s). Avoid 90° angles whenever possible and minimize turns when connecting pump to your water source. Install the pump as close to the water source as possible. This will help reduce friction and maximize water pressure.

### HORIZONTAL OFFSET SUCTION PIPING

When the pump is offset from the well, the horizontal offset suction piping may have to be increased in

diameter to reduce friction loss. The friction loss in a system increases:

- 1.) As the flow rate increases
- 2.) As the piping size decreases

Consult included Turf Boss performance tables (Appendix III) and friction loss tables (Appendix IV) to determine the amount of head lost for a given application. Pipes from the well to the pump should slope upward (about 1" of rise for every 30" of run).

### DISCHARGE PIPE SIZES FOR INSTALLATION

When the pump is located at a distance from points of water use, it is necessary to increase the discharge pipe size in order to reduce friction loss. The friction loss in a system increases:

- 1.) As the flow rate increases
- 2.) As the piping size decreases

Consult included Turf Boss performance tables (Appendix III) and friction loss tables (Appendix IV) to determine the amount of head lost for a given application.

### A. Suction Port Connection (Figure 4)

#### Step 1:

Attach the foot valve or well point to pipe assembly and lower pipe and foot valve until it is at least five feet below the water level. If you are using a well, temporarily clamp the pipe to the well casing to prevent the pipe from sliding into the well. If well is in a 4" or 6" casing, use a well seal at the surface. Never use a suction pipe size smaller than the size of the suction port on the pump.

#### Step 2:

Connect the necessary elbows, fittings, check valves, and pipe from the water to the pump suction port on front of pump. When using PVC, pre-assemble pipe and fittings to the pump BEFORE applying PVC cement to ensure proper cuts and inventory. Use PTFE tape on all male threads, wrapping clockwise (when facing pipe) 1 to 2 layers thick. Tighten all threaded pipe fittings until snug. DO NOT OVER TIGHTEN PIPE AND FITTINGS!! Tighten joints hand tight plus 1/2 turn with pipe wrench.

## B. Discharge Port Connections (Figure 5)

### Step 1:

Thread male adapter or pipe nipple into discharge port on top of pump. (Use PTFE tape on thread)

### Step 2:

Connect pipe between the sprinkler manifold and the pump discharge. Discharge pipe size should increase with long pipe runs. Discharge pipe size may equal discharge port size for distances up to 100'. Increase discharge pipe size by one size for distances of 100' to 300'. For 300' to 600', increase pipe size by two sizes. This will reduce pressure loss caused by friction.

### Step 3:

Tighten all threaded pipe connections with pipe wrench until snug. Do not over tighten.

Figure 5

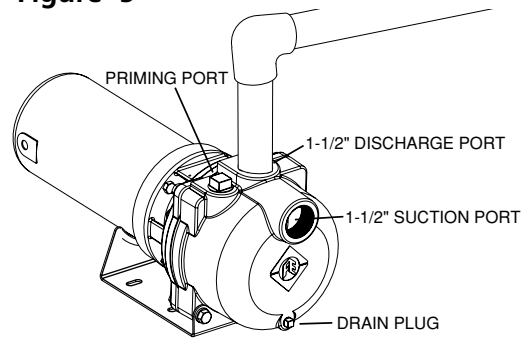
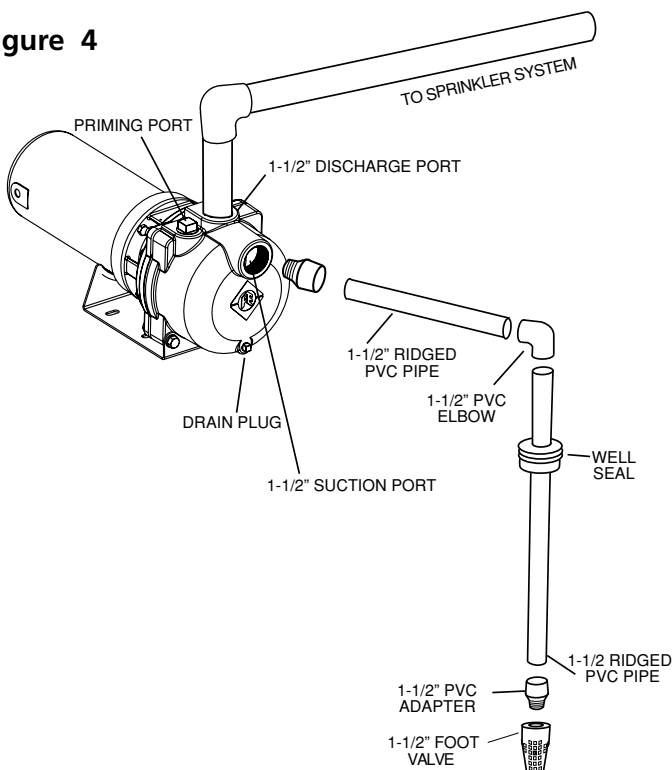
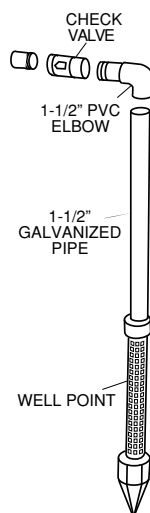


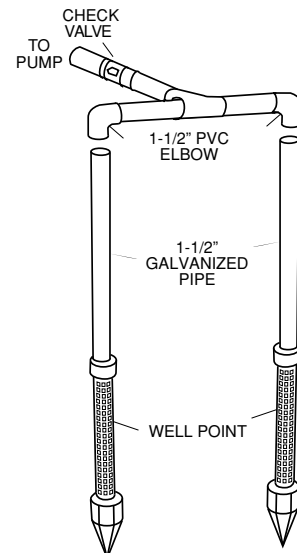
Figure 4



WELL POINT INSTALLATION



MULTIPLE WELL POINT INSTALLATION



## INSTALLATION RECORDS

To keep an accurate record of your installation, be sure to fill out the data below:

Date of Installation:
Model:
Depth of Well (ft):
Depth to Water (ft):
Inside diameter of Well:
Suction Pipe Size:
Suction pipe length (ft):
Discharge pipe length (ft):
Motor:
HP:
Volts:
Wire gauge size:

## ELECTRICAL INSTALLATION



**⚠ WARNING** Hazardous voltage can shock, burn or cause death.

**⚠ CAUTION** If you are not sure of proper electrical connections, consult a licensed electrician.

**⚠ CAUTION** Improper wiring can result in permanent damage to the motor. All electrical wiring should meet the local electrical code.

## NOTICE

### READ AND FOLLOW ALL INSTRUCTIONS!

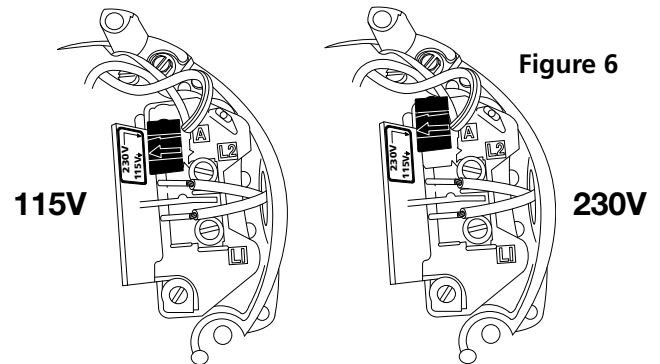
- Pump connection must comply with National Electric Code (NEC) or Canadian Electric Code (CEC), and all applicable local codes.
- All dual voltage units come factory preset for 230 volts. (Figure 3)
- Disconnect power at electrical panel before making any electrical connections.
- Supply voltage must be +/- 10% of motor nameplate voltage. Low or high voltage can damage the motor and will void the warranty.
- If possible, connect pump to dedicated branch circuit with no other appliances on it.
- Do not operate pump unless pump is grounded

**NOTICE:** If you purchased a 3 phase pump/motor assembly, the motor rotation must be checked after priming the pump, but before continuous operation. Check the rotation by “bumping” the power to the motor and observing the coupling rotation. Reverse the rotation as instructed on the motor if it does not match the rotation arrow on the bracket. If you purchased a pump end and are attaching a three-phase motor, the rotation must be checked before the pump is connected to the motor. See “Installing Motor on Pump Ends” in this manual. A fused disconnect switch or circuit breaker should be placed at or near the pump.

## DUAL VOLTAGE ADJUSTMENT

### (Single-phase pump motor assemblies only)

**NOTE:** To change the motor voltage (Figure 6) unplug the dual voltage connector on the motor and reconnect it in the position required to match the available electrical system. The motor can be set for 115 volts or 230 volts, except for 2 hp models which are 230 volts only. The voltage setting of the motor can be determined by looking at the alignment of the arrow on the plug and the arrow on the motor terminal board (located under the motor’s end cover). Any questions as to which voltage setting is required for proper motor and pump operation in your system should be directed to an electrical professional. The factory preset is 230 volts.



## Wiring Installation

**NOTICE:** Check motor terminal cover or nameplate for wiring instructions. The essential pump motor facts are as follows:

- 1.) 3450 RPM
- 2.) Single Phase
- 3.) Dual Voltage, 115/230 on 1 and 1-1/2 HP; 230 V only on 2 HP motors.
- 4.) 1/2, 3/4, 1, and 1-1/2 Horsepower motors are wired for 230 volts as a factory standard.

### Step 1:

Remove motor access cover at back of motor.

### Step 2:

Feed the grounding wire (green or bare copper) through the electrical conduit port in the side of the motor. First connect the ground wire then connect the power supply wires. Attach the grounding wire to the motor ground screw (green). Secure wires to prevent electrical shorts.

### Step 3:

Connect the incoming power supply wires to the motor terminal.

### Step 4:

Replace and secure motor cover.

NOTE: Single phase motors rotate counterclockwise only (when facing suction port) and cannot be reversed.

## MOTOR

**NOTICE: A motor operating under normal conditions maintains its rated performance, assuming a clean, dry motor with proper ventilation. A dirty motor, or one "protected" by a burlap or plastic bag, will overheat.**

## PRIMING AND START UP

### ⚠ WARNING

NEVER run pump dry. Fill pump with water before starting pump. Operating pump dry may cause damage to pump and will void warranty.

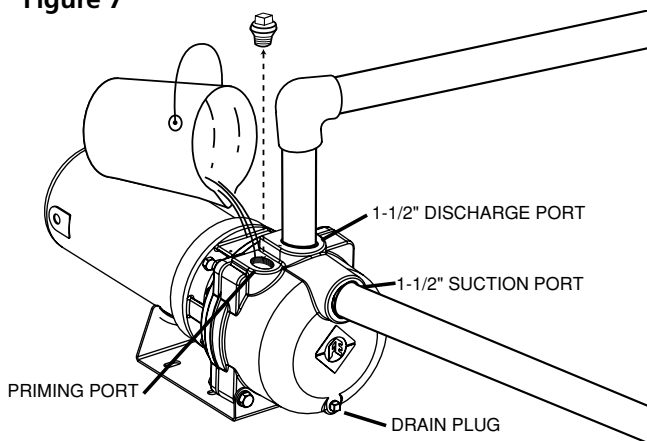
### ⚠ WARNING

NEVER run pump against a closed discharge. This may cause hazardous pressure and risk of explosion.

### Step 1 (Figure 7):

Remove priming port plug from pump.

Figure 7



### Step 2:

Open discharge valves and any hoses on discharge side of pump.

### Step 3:

Fill pump with water through the priming port on top of pump. Allow trapped air to escape for a few minutes, then add more water until full.

### Step 4:

Replace priming port plug and tighten with wrench, using PTFE tape on pipe threads.

### Step 5:

Start the pump. A properly primed pump should discharge water without air at a consistent pressure. If the pump does not produce water after five minutes, stop the pump, release all pressure, remove priming port plug, add more water, replace plug, and try again. (Make sure that a foot valve is properly installed on the suction pipe. See "Suction port connection". Figure 4)

## MAINTENANCE

### ⚠ WARNING



### ⚠ WARNING

Failure to disconnect electrical power before attempting maintenance can cause shock, burns, or death.

### ⚠ WARNING

Before disconnecting pump, be sure fuse box leads are disconnected or power is turned off. After reassembling the pump, refer to priming instructions before running.

### ⚠ WARNING



### HAZARDOUS PRESSURE!

-Do not run pump against closed discharge.

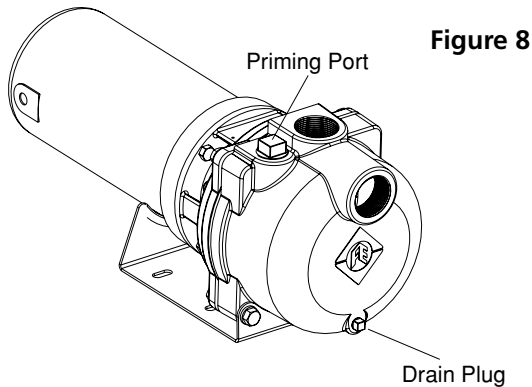
-Release all pressure on system before working on any component.

### A. Draining (Figure 8)

The pump should be drained if it is in danger of freezing, if it will be out of service for an extended period of time, or if it requires service.

To drain pump, disconnect power source, remove priming port plug from pump case, remove drain plug (below suction port), and drain system. Replace drain plug.





**Figure 8**

**NOTICE: While this will drain the pump, it will not necessarily drain all other parts of the piping system. If there are any concerns with the proper procedure or necessity of draining the suction plumbing, contact your contractor.**

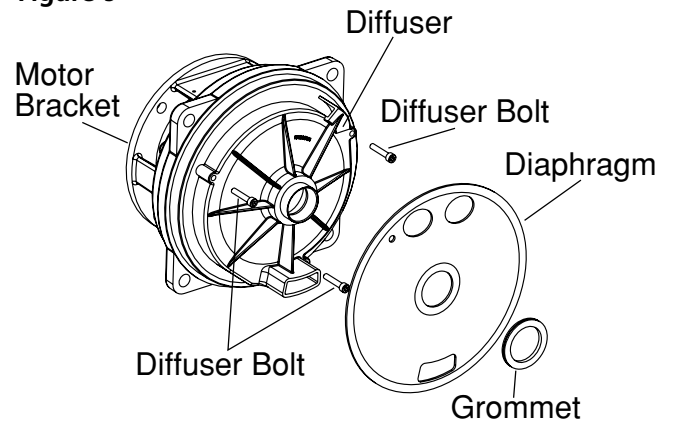
### **B. Pump Disassembly (Appendix I & Figure 9)**

In order to access the internal components of the pump, review the exploded diagram of the pump assembly as shown on the repair parts page (Appendix I). Drain the pump as described above and then remove the four bolts that hold the pump case to the motor bracket. This will allow the motor and hydraulic sub-assembly to be removed from the case without disturbing the plumbing. Locate and inspect the diaphragm and grommet which are internal water seals. Make sure they are in good condition and are working properly. To remove the diffuser, loosen the 3 bolts that attach it to the motor bracket. This will expose the impeller and eye-seal. Remove the eye-seal. In order to remove the impeller, remove the cover from the opposite end of the motor and hold the shaft with a 7/16" open end wrench. The motor shaft is flatted behind the centrifugal switch, close to the motor end bell. The open end wrench can be inserted down into the shaft from behind the motor overload. Unscrew the impeller from the motor shaft by grasping the OD of the impeller with a gloved hand and rotating counter clockwise. This will reveal the mechanical shaft seal. This seal can then be removed from the motor shaft for inspection. The motor bracket can be removed from the motor by removing the 4 bolts on the backside of the motor bracket. To remove the ceramic shaft seal, press gently from the backside on the ceramic and it will fall out easily. Inspect, clean or replace parts as needed.

### **C. Pump Assembly**

Reassemble unit by first pressing the ceramic seal into the seal plate. Use rubbing alcohol as a lubricant. Do not use an oil, vaseline or grease as this will damage the sealing surfaces of the shaft seal during operation. Next, install the motor bracket onto the motor using the four bolts. Tighten the bolts in a diagonal pattern to insure a proper fit. Place the shaft seal on the motor shaft and then install the impeller and eye-seal. The diffuser is positioned by three bolts that can only be installed when the diffuser is oriented properly (Figure 9). Position the diaphragm on the diffuser suction eye. (as shown in Figure 9). The grommet will slide over the diffuser eye on top of the diaphragm. Lift the motor assembly up into the pump case and attach it using the 4 bolts. When seating the pump case against the motor bracket, the diaphragm should be captivated between them around the entire perimeter. This allows the diaphragm to serve as a water seal between the two cast iron parts. If the diaphragm is not positioned correctly the unit will leak once the case is filled with water. Tighten all bolts to 185 in-lbs in a diagonal pattern to insure proper seating of all components.

**Figure 9**



# PARTS FOR TURF BOSS SELF-PRIMING SPRINKLER PUMP

## APPENDIX I

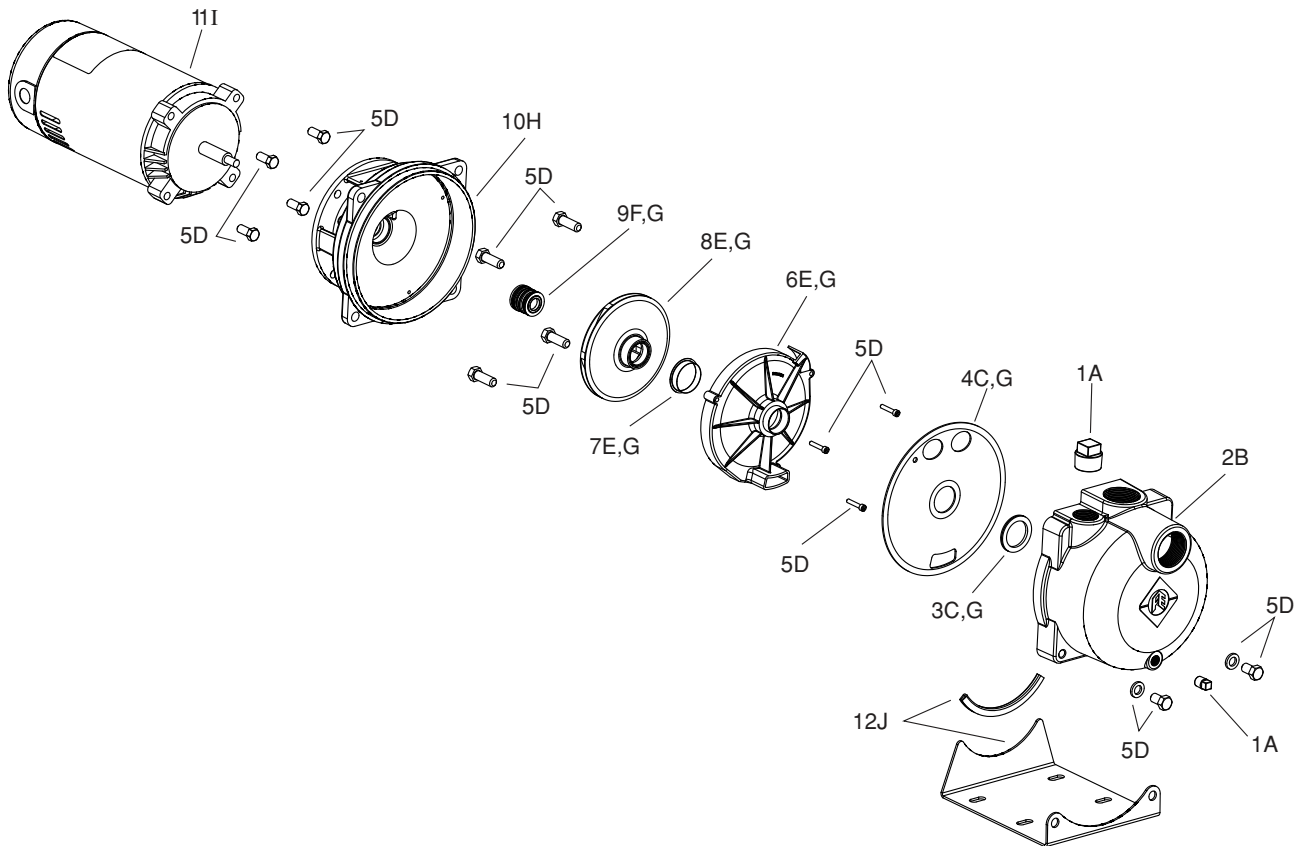


Figure Number	Description	Kit Grouping Identifier*	Repair Part Order Codes by Model Number		
			TB1CI	TB15CI	TB2CI
1	Plug Kits	A	305390901		
2	Pump Case	B	305391901		
3	Grommet	C	305392901		
		G	305396901	305396902	305396903
4	Diaphragm	C	305392901		
		G	305396901	305396902	305396903
5	Fastener Kit*	D	305393901		
6	Diffuser	E	305394901	305394902	305394903
		G	305396901	305396902	305396903
7	Wear Ring	E	305394901	305394902	305394903
		G	305396901	305396902	305396903
8	Impeller, Thermoplastic	E	305394901	305394902	305394903
		G	305396901	305396902	305396903
	Impeller, Stainless Steel	E	305394904	305394905	305394906
		G	305396904	305396905	305396906
9	Mechanical Seal	F	305395901		
		G	305396901	305396902	305396903
10	Motor Bracket	H	305397901		
11	Motor, Single-Phase	I	305398901	305398902	305398903
	Motor, Three-Phase	I	305398904	305398905	305398906
12	Base Assembly	J	305399901		

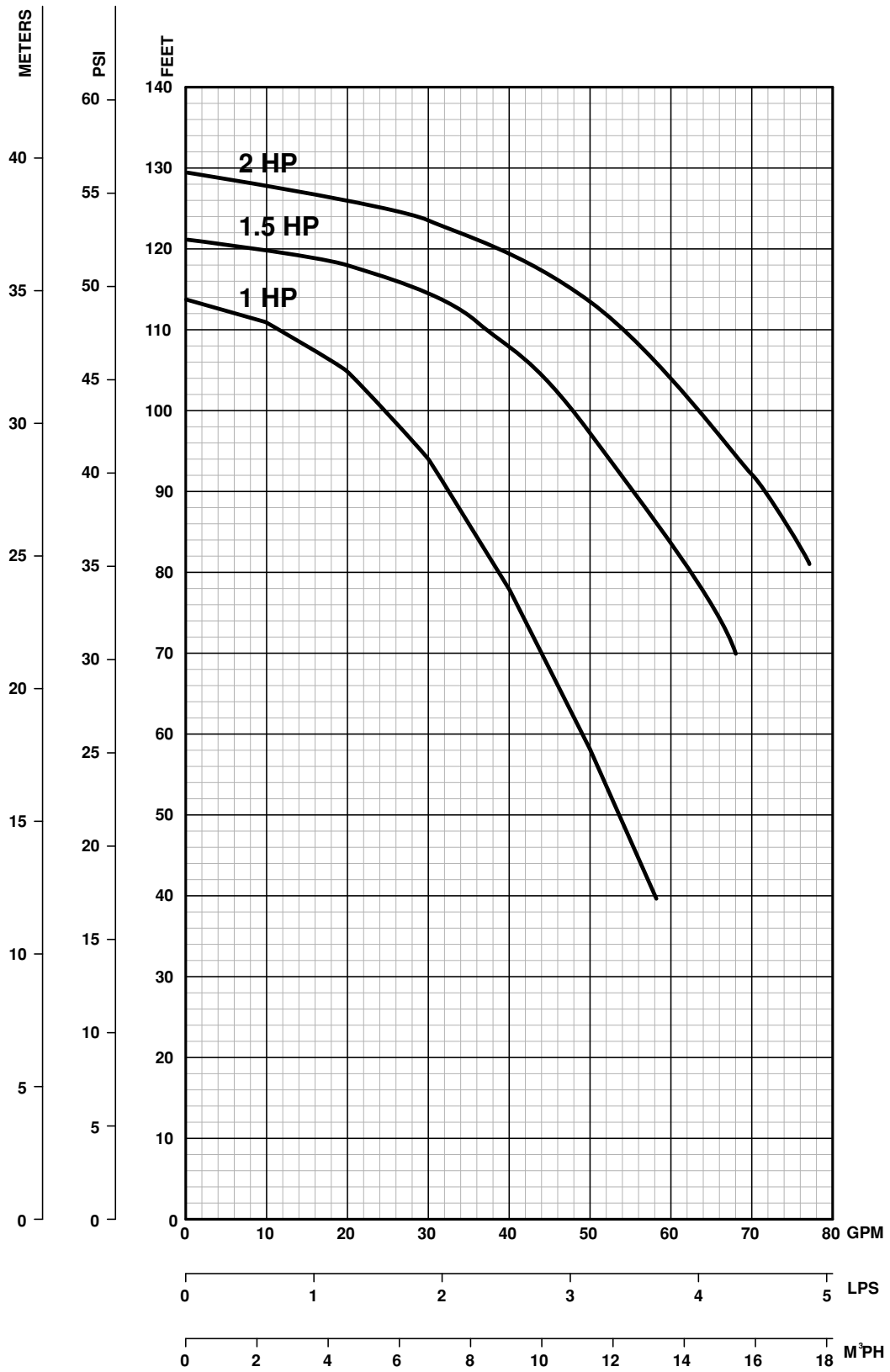
\* Items with like identifiers are sold/packaged together

\*\* Fastener kits (5D) is a complete set of the hardware used to assemble the Turf Boss. As a convenience all other repair kits contain the fasteners needed for the reassembly of its components.

## APPENDIX II - TROUBLESHOOTING

Problem	Possible Cause	Remedy
Pump does not deliver water or pressure	1. The pump is is not full of water.	1. Stop the pump, fill it with water, check all pipe connections to make sure there are no air leaks and try again.
Low pressure	1. The motor is not up to speed. 2. The impeller is partially plugged. 3. Air is leaking into suction line.	1. Check for proper voltage and tight wiring connections. 2. Check impeller for rocks or debris. Refer to disassembly instruction for getting to impeller. 3. Check suction line connections.
Low capacity	1. Your water level is deeper than 25 feet. 2. You are using too long a pipe from the water to the pump. 3. You have a plugged impeller. 4. The pipe from the pump to the water is partially plugged. 5. The motor is rotating backwards. (3 phase only)	1. Pump can't pump below 25 feet. Call your Franklin Pump Systems dealer. 2. You should use a larger diameter pipe. 3. Check impeller. Refer to disassembly instructions above. 4. Check pipe. 5. Switch 2 leads to reverse rotation (3 phase only)
Motor overheats	1. Improper voltage or wiring connections. 2. Improper ventilation for the motor.	1. Check to see if your voltage is the same as indicated on the motor name on dataplate. Be sure all wiring connections are tight. 2. Check to see if motor is clean and properly vented.
Motor will not start	1. Open switches, blown fuses or loose connections. 2. Improper connections to motor.	1. Check switches, fuses and connection. 2. Make sure connections are tight.
Air logging (excessive air in pipe)	1. Air leaks in pipe. 2. Water drops below the end of the pipe.	1. Check connections. 2. Pump is out-producing well. Tighten down control valve gradually until pump starts operating properly.
Gravelly noises inside pump (cavitation)	1. Pump running over capacity (NPSHR exceeds NPSHA) 2. Suction pipe is too small or length of pipe is too long. 3. End of suction pipe is in mud or sand.	1. Call your Franklin Pump Systems dealer. 2. Use a larger diameter pipe. 3. Raise end of suction pipe or clean out well.

# APPENDIX III - PERFORMANCE CURVE



# APPENDIX IV - FRICTION LOSS TABLES

## 1"

Schedule 40 pipe 1.049 in. i.d. / Type L Copper tube 1.025 in. i.d.					
GPM	Velocity Ft/S	Friction Loss Ft Hd./100' of pipe		Velocity Ft/S	Ft Hd./100' Pipe Fric. Loss C=130
		Steel C=100	PVC C=140		
2.0	0.74	0.60	0.32	.078	0.41
3.0	1.11	1.26	0.68	1.17	0.87
4.0	1.49	2.14	1.15	1.56	1.48
5.0	1.86	3.24	1.75	1.95	2.23
6.0	2.23	4.54	2.45	2.34	3.13
8.0	2.97	7.73	4.16	3.11	5.35
10	3.71	11.7	6.31	3.89	8.08
12	4.46	16.4	8.85	4.67	11.3
14	5.20	21.8	11.8	5.45	15.0
16	5.94	27.9	15.1	6.22	19.2
18	6.68	34.7	18.7	7.00	23.9
20	7.43	42.1	22.8	7.78	29.0
25	9.29	63.6	34.6	9.74	43.9
30	11.1	89.2	48.1	11.7	61.4
40	14.9	152	82.0	15.5	105

## 1.5"

Schedule 40 pipe 1.610 in. i.d. / Type L Copper tube 1.505 in. i.d.					
GPM	Velocity Ft/S	Friction Loss Ft Hd./100' of pipe		Velocity Ft/S	Ft Hd./100' Pipe Fric. Loss C=130
		Steel C=100	PVC C=140		
6.0	0.95	0.57	0.31	1.08	0.49
8.0	1.26	0.96	0.52	1.44	0.82
10	1.58	1.45	0.79	1.80	1.24
12	1.89	2.04	1.10	2.16	1.73
15	2.36	2.95	1.59	2.70	2.62
20	3.15	5.24	2.83	3.60	4.46
25	3.94	7.90	4.26	4.51	6.74
30	4.73	11.1	6.00	5.41	9.44
40	6.30	18.9	10.2	7.21	16.1
50	7.88	28.5	15.4	9.01	24.3
60	9.46	40.0	21.6	10.8	34.1
70	11.0	53.2	28.7	12.6	45.5
80	12.6	68.1	36.8	14.4	58.1
90	14.2	84.7	45.7	16.2	72.1
100	15.8	103	56.6	18.0	87.7

## 2.5"

Schedule 40 pipe 2.469 in. i.d. / Type L Copper tube 2.465 in. i.d.					
GPM	Velocity Ft/S	Friction Loss Ft Hd./100' of pipe		Velocity Ft /S	Ft Hd./100' Pipe Fric. Loss C=130
		Steel C=100	PVC C=140		
20	1.21	0.66	0.35	1.34	0.40
30	2.01	1.39	0.75	2.02	0.85
40	2.68	2.36	1.27	2.69	1.46
50	3.35	3.56	1.92	3.36	2.20
60	4.02	4.99	2.69	4.03	3.08
70	4.69	6.64	3.58	4.70	4.11
80	5.36	8.50	4.59	5.37	5.25
90	6.03	10.6	5.72	6.04	6.52
100	6.70	12.8	6.90	6.71	7.94
110	7.37	15.3	8.22	7.38	9.44
130	8.71	20.9	11.3	8.73	12.9
150	10.0	27.3	14.7	10.1	16.8
200	13.4	46.3	25.0	13.4	28.6
250	16.8	81.7	44.1	16.8	43.4
300	20.1	98.1	52.9	20.1	61.1

## 1 1/4"

Schedule 40 pipe 1.380 in. i.d. / Type L Copper tube 1.265 in. i.d.					
GPM	Velocity Ft/S	Friction Loss Ft Hd./100' of pipe		Velocity Ft /S	Ft Hd./100' Pipe Fric. Loss C=130
		Steel C=100	PVC C=140		
4.0	0.86	0.56	0.30	1.02	0.52
6.0	1.29	1.20	0.65	1.53	1.12
8.0	1.72	2.04	1.10	2.04	1.92
10	2.15	3.08	1.67	2.55	2.90
12	2.57	4.31	2.33	3.06	4.04
14	2.99	5.73	3.10	3.57	5.35
16	3.43	7.34	3.96	4.08	6.85
18	3.86	9.13	4.93	4.59	8.52
20	4.29	11.1	6.00	5.10	10.4
25	5.36	16.8	9.06	6.38	15.7
30	6.43	23.5	12.7	7.65	22.1
40	8.58	40.0	21.6	10.2	37.6
50	10.7	60.4	32.6	12.8	56.7
60	12.9	84.7	45.6	15.3	79.5
80	17.2	144	77.9	20.4	136

## 2"

Schedule 40 pipe 2.067 in. i.d. / Type L Copper tube 1.985 in. i.d.					
GPM	Velocity Ft/S	Friction Loss Ft Hd./100' of pipe		Velocity Ft/S	Ft Hd./100' Pipe Fric. Loss C=130
		Steel C=100	PVC C=140		
10	0.96	0.43	0.23	1.07	0.35
15	1.44	0.92	0.50	1.60	.075
20	1.91	1.55	0.84	2.13	1.24
25	2.39	2.35	1.27	2.66	1.87
30	2.87	3.29	1.78	3.19	2.62
40	3.82	5.60	3.03	4.26	4.48
50	4.78	8.46	4.57	5.32	6.76
60	5.74	11.9	6.44	6.39	9.47
70	6.69	15.8	8.53	7.45	12.6
80	7.65	20.2	10.9	8.52	16.2
90	8.61	25.1	13.6	9.58	20.0
100	9.56	30.5	16.5	10.7	24.4
120	11.5	42.7	23.1	12.8	34.1
150	14.3	64.7	35.0	16.0	51.6
200	19.1	110	59.4	21.3	87.8

**Note:** Chart shows friction loss per 100' of pipe. To convert to friction loss per foot, move decimal point 2 places to the left.

# LIMITED WARRANTY\*

## **THIS WARRANTY SETS FORTH THE COMPANY'S SOLE OBLIGATION AND PURCHASER'S EXCLUSIVE REMEDY FOR DEFECTIVE PRODUCT.**

Franklin Electric Company, Inc. and its subsidiaries (hereafter "the Company") warrants that the products accompanied by this warranty are free from defects in material or workmanship of the Company.

The Company has the right to inspect any product returned under warranty to confirm that the product contains a defect in material or workmanship. The Company shall have the sole right to choose whether to repair or replace defective equipment, parts, or components.

The buyer should return the product to the place of purchase for warranty consideration. Subject to the terms and conditions listed below, the Company will repair or replace to the buyer any portion of this product which proves defective due to materials or workmanship of the Company.

The Company will consider products for warranty for 12 months from the date of installation or for 24 months from the date of manufacture, whichever occurs first.

The Company shall IN NO EVENT be responsible or liable for the cost of field labor or other charges incurred by any customer in removing and/or affixing any product, part or component thereof.

The Company reserves the right to change or improve its products or any portions thereof without being obligated to provide such change or improvement to previously sold products.

THIS WARRANTY DOES NOT APPLY TO products damaged by acts of God, including lightning, normal wear and tear, normal maintenance services and the parts used in connection with such service, or any other conditions beyond the control of the Company.

THIS WARRANTY WILL IMMEDIATELY VOID if any of the following conditions are found:

1. Product is used for purposes other than those for which it was designed and manufactured;
2. Product was not installed in accordance with applicable codes, ordinances and good trade practices;
3. Product was not installed by a Franklin Certified Contractor or Franklin Key Dealer; or
4. Product was damaged as a result of negligence, abuse, accident, misapplication, tampering, alteration, improper installation, operation, maintenance or storage, nor to an excess of recommended maximums as set forth in the product instructions.

NEITHER SELLER NOR THE COMPANY SHALL BE LIABLE FOR ANY INJURY, LOSS OR DAMAGE, DIRECT, INCIDENTAL OR CONSEQUENTIAL (INCLUDING, BUT NOT LIMITED TO, INCIDENTAL OR CONSEQUENTIAL DAMAGES FOR LOST PROFITS, LOST SALES, INJURY TO PERSON OR PROPERTY, OR ANY OTHER INCIDENTAL OR CONSEQUENTIAL LOSS), ARISING OUT OF THE USE OR THE INABILITY TO USE THE PRODUCT, AND THE BUYER AGREES THAT NO OTHER REMEDY SHALL BE AVAILABLE TO IT.

THE WARRANTY AND REMEDY DESCRIBED IN THIS LIMITED WARRANTY IS AN EXCLUSIVE WARRANTY AND REMEDY AND IS IN LIEU OF ANY OTHER WARRANTY OR REMEDY, EXPRESS OR IMPLIED, WHICH OTHER WARRANTIES AND REMEDIES ARE HEREBY EXPRESSLY EXCLUDED, INCLUDING BUT NOT LIMITED TO ANY IMPLIED WARRANTY OF MERCHANTABILITY OR FITNESS FOR A PARTICULAR PURPOSE, TO THE EXTENT EITHER APPLIES TO A PRODUCT SHALL BE LIMITED IN DURATION TO THE PERIODS OF THE EXPRESSED WARRANTIES GIVEN ABOVE.

DISCLAIMER: Any oral statements about the product made by the seller, the Company, the representatives or any other parties, do not constitute warranties, shall not be relied upon by the buyer, and are not part of the contract for sale. Seller's and the Company's only obligation, and buyer's only remedy, shall be the replacement and/or repair by the Company of the product as described above. Before using, the user shall determine the suitability of the product for his intended use, and user assumes all risk and liability whatsoever in connection therewith.

Some states and countries do not allow the exclusion or limitations on how long an implied warranty lasts or the exclusion or limitation of incidental or consequential damages, so the above exclusion or limitations may not apply to you. This warranty gives you specific legal rights, and you may also have other rights which vary from state to state and country to country.

\*Contact Franklin Electric Co., Inc. Export Division for International Warranty.



**Franklin Electric**

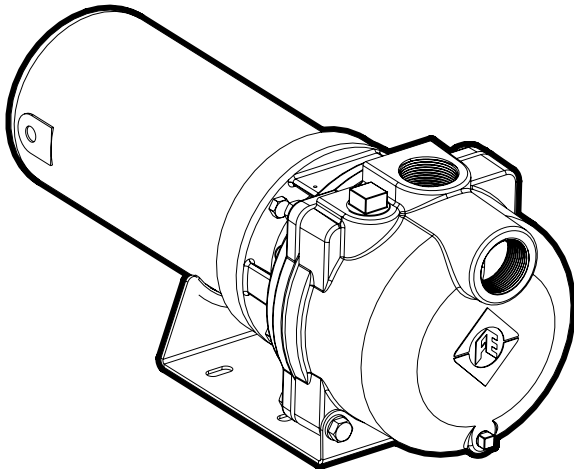
400 E. Spring St., Bluffton, IN 46714  
Tel: 260-824-2900 Fax: 260-824-2909  
www.franklin-electric.com



Franklin Electric



# Bomba para regadores autocebante MANUAL DEL PROPIETARIO



## ANTES DE COMENZAR

**ANTES DE INSTALAR LA BOMBA, CERCÍOARSE DE LEER CUIDADOSAMENTE EL MANUAL DEL PROPIETARIO.**

**CONSULTAR INSTRUCCIONES DE OPERACIÓN Y ESPECIFICACIONES EN LA(S) PLACA(S) DE DATOS DEL PRODUCTO.**

### **! CUIDADO**

- Mantenga el área de trabajo limpia, bien iluminada y desobstruida.
- Mantenga las etiquetas de seguridad limpias y en buenas condiciones.
- Sustituya las etiquetas de seguridad perdidas o averiadas.
- Use lentes de seguridad mientras instale o realice la manutención de la bomba.
- Siga las orientaciones del NEC (Código Eléctrico Nacional) o CEC (Código Eléctrico Canadiense y cualquier otros códigos de estados o locales en TODAS las instalaciones eléctricas. Verifique estas informaciones en los organismos apropiados o contacte con un electricista habilitado.

La mayoría de los problemas en los sistemas de agua provienen de una instalación inadecuada. Se sugiere que lea este manual cuidadosamente antes de instalar la bomba. La “SECCIÓN DE SOLUCIÓN DE PROBLEMAS” lo ayudará a ubicar y eliminar la causa de los problemas que pueda encontrar después de la instalación. Verifique y deje a mano todas las herramientas que precisará para instalar la bomba. Las herramientas necesarias pueden incluir pinzas, selladores de tuberías, accesorios y niples, destornillador, etc.

Cerciórese de tener a disposición material adecuado y apropiado para el cableado para concluir la instalación correctamente.

## LEA Y SIGA LAS INSTRUCCIONES DE SEGURIDAD

**!**  Éste es un símbolo de alerta de seguridad. Cuando usted vea este símbolo en su bomba o en este manual, busque una de las palabras siguientes y esté alerta en cuanto a posibles lesiones:

**! PELIGRO** avisa sobre peligros que causarán graves lesiones, muerte o daños materiales importantes cuando se ignoren.

**! AVISO** avisa sobre peligros que **pueden** causar graves lesiones, muerte o daños materiales importantes cuando se ignoren.

**! CUIDADO** avisa sobre peligros que **causarán o pueden** causar lesiones menos importantes o daños materiales cuando se ignoren.

**AVISO** indica instrucciones especiales, que son importantes pero que no están relacionadas a peligros.

**Lea cuidadosamente y siga todas las instrucciones de seguridad en este manual y en la bomba.**



**! AVISO PRESIÓN PELIGROSA:** No haga funcionar la bomba contra una salida cerrada. Libere todos los sistemas de presión antes de trabajar en cualquier componente.

**! CUIDADO** No haga funcionar la bomba en seco. Llene la bomba con agua antes de comenzar o la bomba puede averiarse.

El motor de esta bomba tiene garantía del fabricante y, en caso de falla, debe devolverse a un puesto de servicio autorizado para reparación. Motor warranty is void if repairs aren't made by an authorized repair station.






## **SEGURIDAD ELÉCTRICA**

**⚠ CUIDADO** Cerciórese que todas las FUENTES ELÉCTRICAS ESTÉN APAGADAS antes de conectar cualquier cable eléctrico.

**⚠ AVISO** El voltaje del condensador puede ser peligroso. Para descargar el condensador del motor, sujete un destornillador con mango aislado POR EL MANGO y los terminales cortos del condensador juntos. No toque la parte metálica del destornillador o los terminales de condensador porque pueden causar una descarga eléctrica. En caso de duda, consulte un electricista cualificado.

**⚠ AVISO**



**¡Voltaje peligrosa!  
Puede causar descarga eléctrica, quemaduras o causar la muerte.**

Conecte la bomba a tierra antes de conectarlo a la toma de fuerza.  
Desconectar la energía antes de trabajar en la bomba, en el motor o en el tanque.

**⚠** Instale el cable del motor con el voltaje correcto. Consulte la sección “Instalación eléctrica” en este manual y en la placa del motor.

**⚠** Conecte el motor a tierra antes de conectarlo a la toma de fuerza.

**⚠** Cumpla el Código Eléctrico Nacional (NEC) o el Código Canadiense (CEC) y los códigos locales para el cableado.

**⚠** Siga todas las instrucciones de cableado de la bomba que constan en este manual.

**⚠ CUIDADO** NO toque el motor en funcionamiento.

La superficie del motor puede estar CALIENTE. Deje enfriar el motor durante treinta (30) minutos antes de manejarlo.

## **SEGURIDAD GENERAL**

- No deje que la bomba ni otro componente del sistema se congelen. Esto cancelará la garantía.
- Esta bomba se ha evaluado solamente para el bombeo de agua. El bombeo de líquidos, excepto agua, pueden invalidar la garantía.
- Periódicamente, inspeccione la bomba y los componentes del sistema.

## **INTRODUCCIÓN**

Usted ha comprado una de las bombas de manejo más amigable que existen. Las bombas TurfBoss se fabrican con materiales de alta calidad diseñados para ofrecerle años de servicio confiable. Los regadores de jardín se proyectan para maximizar el flujo de salida, manteniendo la capacidad de extraer agua de una fuente hasta 25 pies abajo de la bomba. Todas las partes mecánicas, motor, turbina, mandos eléctricos, etc. quedan arriba del suelo y son de fácil alcance. Si es necesario realizar algún servicio, herramientas manuales simples son suficientes para el trabajo. Esta bomba para regador de jardín se instala fácil y rápidamente sin necesidad de herramientas especiales o plataforma para la bomba. Usted mismo puede instalarla siempre que siga cuidadosamente las instrucciones de este manual.

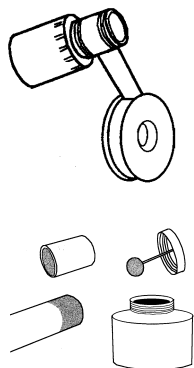
## **INSPECCIÓN DEL EMBALAJE**

Todas las bombas para regadores de jardín se prueban, inspeccionan y embalan cuidadosamente para asegurar su arribo en perfectas condiciones. Cuando se recibe la bomba, examinarla cuidadosamente para asegurarse que no hay averías o piezas quebradas que puedan haber ocurrido durante el envío. Si existen daños evidentes, relátelos inmediatamente a su despachante y distribuidor. Ese despachante asume total responsabilidad por la entrega segura del envío. Cualquier reclamación por daños durante el embarque, sean visibles o presumidos, se debe hacer primero al despachante.

## VERIFICACIÓN ANTES DE LA INSTALACIÓN

- La bomba no debe estar a más de 25 pies sobre la superficie del agua.
- Use el mínimo posible de codos y conexiones para reducir la fricción y maximizar el flujo.
- Cerciórese que los caños, conexiones y la válvula de pedestal estén limpios y libres de residuos.
- No debe haber burbujas o pérdidas en el caño de succión.
- Se debe usar cinta PTFE para sellar las conexiones roscadas de la tubería.

## INSTALACIÓN- CONSEJOS



- Envuelva todas las puntas de tubos machos y conexiones con cinta de PTFE. Esto asegurará un buen sellado alrededor de las conexiones de la tubería.
- Conexiones de tubos de PVC: Usar primer para tubos de PVC en todas las uniones pegadas antes de aplicar cemento para PVC. Después de aplicar el cemento para PVC en ambas superficies que se van a pegar, conectar el tubo y las conexiones, girar el tubo un cuarto de vuelta y mantenerlo durante 30 segundos. Esto asegurará que todas las juntas queden bien pegadas.

## INSTALACIÓN

### UBICACIÓN DE LA BOMBA

Elija un área para instalar la bomba que sea adecuada con base en la capacidad de la caja del motor eléctrico de la bomba. Todas las bombas Turf Boss son aprobadas por la UL778 y se marcarán como “ACEPTABLE PARA USO EXTERNO o INTERNO”.

#### • OPCIÓN DE INSTALACIÓN DE BOMBA INTERNA:

Elija un lugar limpio, bien ventilado y resguardado de intemperies que permita proteger la bomba de congelamiento, inundaciones o calor excesivo. Además, debe permitir fácil acceso para manutención y el drenaje conveniente de la bomba y manutención de las tuberías. No es esencial que haya una base preparada, siempre que la superficie sea dura y nivelada. Se puede ubicar en el sótano o en un cuarto de servicio de su casa, en un pozo o entre el punto de uso y el pozo.

#### • OPCIÓN DE INSTALACIÓN DE BOMBA EXTERNA:

Cuando se instale fuera de la casa, la bomba se debe proteger con un alojamiento con calor auxiliar para evitar posible congelamiento.

Elija un lugar limpio que mejor se adapte al sistema de agua. No es esencial que haya una base preparada, siempre que la superficie sea dura y nivelada. Debe permitir fácil acceso para manutención y el drenaje conveniente de la bomba y manutención de las tuberías. Cuando se instale fuera de la casa, la bomba y el sistema de tubería debe ser drenado completamente para evitar posible congelamiento cuando el clima lo cause.

Decida la forma de sellar el pozo para evitar contaminaciones conforme exigido por las autoridades locales. El dispositivo más común para esta finalidad es el **SELLADO SANITARIO DE POZO**. Si la tubería desde el pozo tiene que mantenerse abajo de la línea de congelamiento, entierre el cabezal del pozo o use un **ADAPTADOR SIN CAMBIO** que deja el cabezal del pozo expuesto para manutención y, al mismo tiempo, deja las aberturas selladas en el alojamiento del pozo abajo de la línea de congelamiento.

**A continuación hay tres aplicaciones para pozo y fuente de agua para la bomba para regadores Turf Boss. Los pozos pueden ser ligeramente diferentes pero la aplicación es esencialmente la misma.**

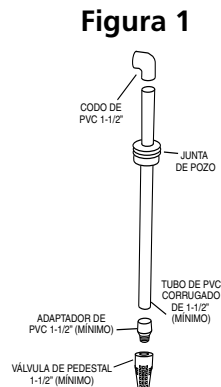
### Pozo simple llano (Figura 1)

El pozo simple llano normalmente es un pozo con caja de acero o plástico de 4 ó 6 pulgadas perforado verticalmente en el suelo.

La superficie del agua no debe estar a más de 25 pies de profundidad.

Conectar la válvula de pedestal al primer trecho del tubo de succión y bajarla dentro del pozo. Agregar los trechos de tubos necesarios, sujetándolos con ayuda de uno de los métodos de sellado mencionados anteriormente. La válvula de pedestal debe estar **POR LO MENOS** a cinco pies abajo de la superficie del agua para permitir la extracción del agua.

Sellar la parte superior de la caja del pozo de 4 ó 6 pulgadas con una junta para evitar que caigan residuos dentro del pozo.

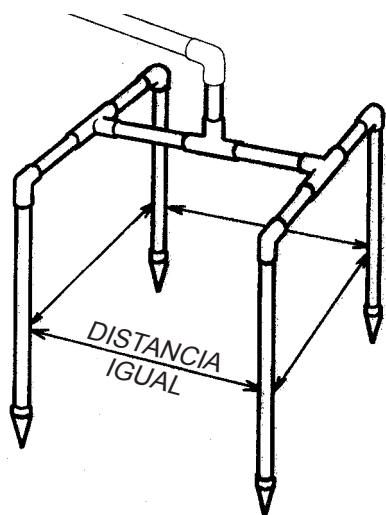


## **Puntos de Múltiples Pozos llanos (Figura 2)**

La configuración pozo llano de múltiples puntos consiste en dos o tres pozos como fuente de agua. Los pozos deben estar por lo menos a cinco pies de distancia entre sí. Los pozos tienen que estar en línea recta (dos o más pozos), en triángulo (tres pozos), o en cuadrado (cuatro pozos).

Instalar una válvula de verificación o un filtro fino en cada pozo para asegurar que la bomba mantenga la fuerza. La flecha de flujo en la válvula debe apuntar hacia la bomba.

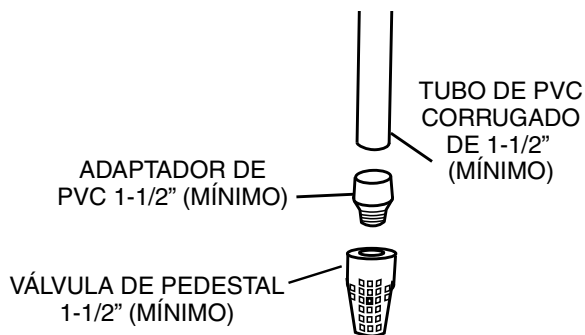
**Figura 2**



## **Instalación en lago o laguna (Figura 3)**

El uso de una superficie de agua como la de un lago o laguna es semejante al de un pozo llano único. El tubo de succión se instala en la fuente de agua y vuelve a la bomba. Esta aplicación puede exigir una gran distancia horizontal entre la fuente de agua y la bomba.

**Figura 3**



El tamaño del tubo de succión debe aumentar una vez para minimizar la pérdida de presión causada por la fricción de la distancia del tubo.

Instalar una válvula de pedestal en la punta del tubo de succión para proteger la bomba de residuos.

## **TUBERÍAS**

Atornillar la bomba a una base nivelada y sólida, si es posible. Ubicar la bomba con el bocal de succión de frente para el(los) caño(s) de la fuente de agua. Evitar ángulos de 90° siempre que posible y minimizar las curvas al conectar la bomba a su fuente de agua. Instalar la bomba lo más cerca posible de la fuente de agua. Esto ayuda a reducir la fricción y maximizar la presión del agua.

## **TUBERÍA DE SUCCIÓN DE DESVÍO HORIZONTAL**

Cuando la bomba está desviada del pozo, es posible que se tenga que aumentar el diámetro de la tubería de succión de desvío horizontal para reducir la pérdida por fricción. La pérdida de succión en el sistema aumenta:

- 1.) A medida que el flujo aumenta
- 2.) A medida que el tamaño de la tubería se reduce

Consulte las tablas de desempeño (Apéndice III) y las tablas de pérdida por fricción (Apéndice IV) para determinar la cantidad de pérdida en el cabezal para una determinada aplicación. Los tubos desde el pozo hasta la bomba deben de tener una inclinación hacia arriba (cerca de 1" de elevación cada 30" de longitud).

## **TAMAÑO DE LOS TUBOS DE SALIDA PARA LA INSTALACIÓN**

Cuando la bomba está ubicada a cierta distancia de los puntos de uso del agua, hay que aumentar el tamaño de los tubos de salida para reducir la pérdida por fricción. La pérdida de succión en el sistema aumenta:

- 1.) A medida que el flujo aumenta
- 2.) A medida que el tamaño de la tubería se reduce

Consulte las tablas de desempeño (Apéndice III) y las tablas de pérdida por fricción (Apéndice IV) para determinar la cantidad de pérdida en el cabezal para una determinada aplicación.

## A. Conexión del Bocal de Succión (Figura 4)

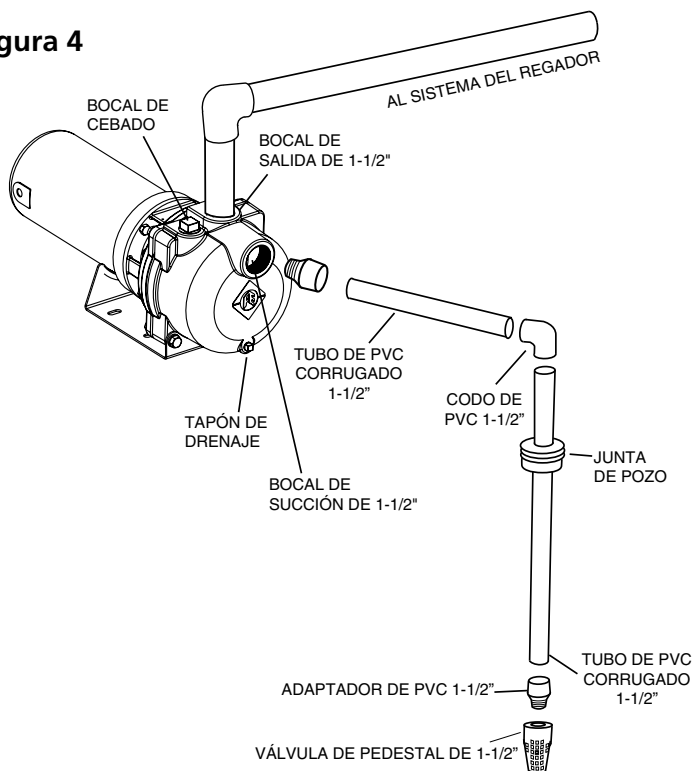
### Etapa 1:

Conectar la válvula de pedestal o el punto del pozo a la tubería y bajar el tubo y la válvula de pedestal hasta que queden por lo menos a cinco pies abajo del nivel del agua. Si está usando un pozo, sujete el tubo a la caja del pozo temporalmente para evitar que el tubo caiga dentro del pozo. Si el pozo está en una caja de 4 ó 6 pulgadas, usar una junta en la superficie. Nunca usar un tubo de succión más chico que el tamaño del bocal de succión de la bomba.

### Etapa 2:

Conectar los codos, adaptadores, válvulas de verificación y tubos necesarios desde el agua hasta el bocal de succión de la bomba en la parte delantera. Cuando se use PVC, monte previamente el tubo y los accesorios en la bomba ANTES de aplicar el cemento de PVC para asegurar que los cortes estén bien hechos y que estén todas las partes necesarias. Usar cinta de PTFE en todas las roscas macho, envolviéndolas con una o dos vueltas de izquierda a derecha (mirando hacia el tubo). Apretar todas las conexiones roscadas hasta el final. ¡¡NO APRETAR DEMASIADO LOS TUBOS Y CONEXIONES!! Apretar las juntas manualmente y después apretar media vuelta más con una llave de caños.

Figura 4

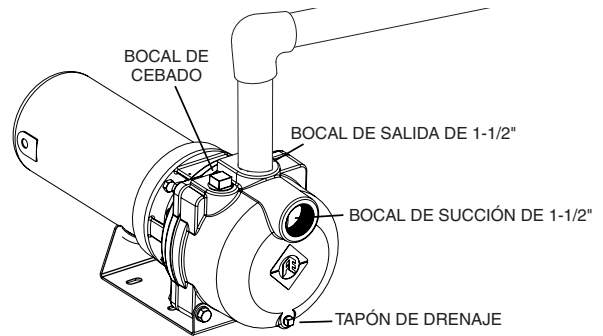


## B. Conexiones del Bocal de Salida (Figura 5)

### Etapa 1:

Enroscar el adaptador macho o el niple del tubo al bocal de salida de la parte superior de la bomba. (Usar cinta de PTFE en la rosca)

Figura 5



### Etapa 2:

Conectar el tubo entre el tubo principal del regador y la salida de la bomba. El tamaño del tubo de salida aumenta con la longitud del tubo. El tamaño del tubo de salida puede ser igual al tamaño del bocal de salida para distancias hasta 100 pies. Aumentar el tamaño del tubo de salida una vez para distancias de 100 a 300 pies. Para distancias de 300 a 600 pies, aumentar el tamaño del tubo dos veces. Eso reducirá la pérdida de presión por fricción.

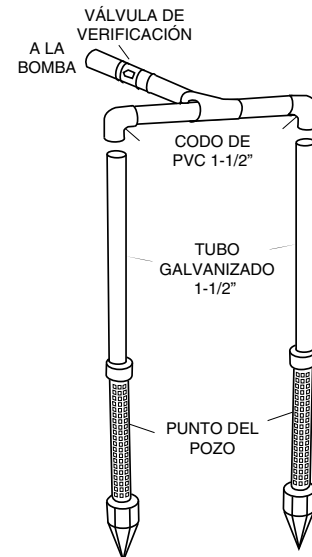
### Etapa 3:

Apretar todas las conexiones con rosca de los tubos con una llave de caños hasta el final. No apretar demasiado.

### INSTALACIÓN DEL PUNTO DEL POZO



### INSTALACIÓN DE POZO DE PUNTOS MÚLTIPLES



## REGISTROS DE LA INSTALACIÓN

Para mantener un registro adecuado de su instalación, cerciorarse de llenar los datos siguientes:

<b>Fecha de la instalación:</b>
<b>Modelo:</b>
<b>Profundidad del Pozo (pies):</b>
<b>Profundidad del Agua (pies):</b>
<b>Diámetro interno del Pozo:</b>
<b>Tamaño del tubo de succión:</b>
<b>Longitud del tubo de succión (pies):</b>
<b>Longitud del tubo de salida (pies):</b>
<b>Motor:</b>
<b>H.P.:</b>
<b>Voltaje:</b>
<b>Tamaño del diámetro del cable:</b>

## INSTALACIÓN ELÉCTRICA



**⚠ AVISO** El voltaje peligroso puede causar descarga eléctrica, quemaduras o causar la muerte.

**⚠ CUIDADO** Si no tiene seguridad de las conexiones eléctricas apropiadas, consulte un electricista acreditado.

**⚠ CUIDADO** El cableado incorrecto puede causar daños permanentes al motor. Todas las conexiones eléctricas deben cumplir las normas locales.

### AVISO

### ¡LEA Y SIGA TODAS LAS INSTRUCCIONES!

- La conexión de la bomba debe cumplir las normas del Código Eléctrico Nacional (NEC) o del Código Eléctrico Canadiense (CEC), y todos los códigos locales.
- Todas las unidades bivoltaje vienen preparadas de fábrica para trabajar a 230 voltios. (Figura 3)
- Desconectar la energía en el tablero eléctrico antes de hacer conexiones eléctricas.
- El voltaje debe ser +/- 10% del voltaje nominal del motor. Un voltaje muy bajo o alto puede perjudicar el motor e invalidar la garantía.
- Si fuese posible, conectar la bomba a un circuito exclusivo sin otras aplicaciones.
- No operar la bomba a menos que esté conectada a tierra

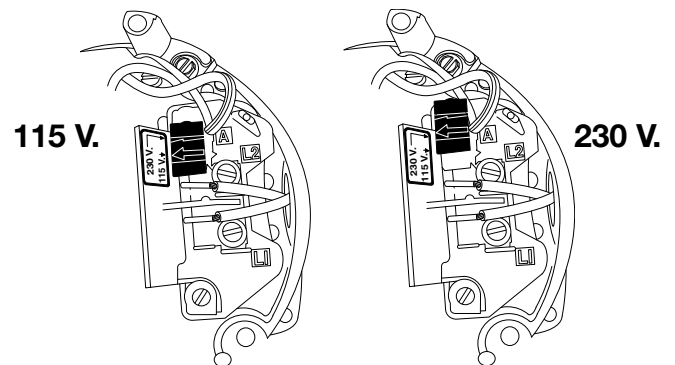
**AVISO:** Si adquirió un conjunto de bomba/motor trifásico, la rotación del motor debe verificarse después de cebar la bomba pero antes del

funcionamiento continuo. Verifique la rotación conectando y desconectando la corriente eléctrica al motor y observe la rotación del acoplamiento. Invierta la rotación como se indica en el motor si no coincide la flecha de rotación en la estructura. Si adquirió un extremo de bomba y está conectando un motor trifásico, la rotación debe verificarse antes de conectar la bomba al motor. Consulte la sección "Instalación de motor a extremos de bomba" en este manual. Debe colocarse un interruptor de desconexión con fusibles o un disyuntor en la bomba o cerca de ella.

## AJUSTE DE LA TENSIÓN DE ENTRADA (sólo conjuntos de bomba/motor monofásicos)

**NOTA:** Para cambiar el voltaje del motor (Figura 6) desconectar el conector bivolt del motor y reconectarlo en la posición necesaria para el sistema eléctrico disponible. El motor se puede colocar en 115 o 230 voltios, excepto los modelos de 2 H.P. que funcionan solamente con 230 voltios. El voltaje del motor se puede determinar observando el alineamiento de la flecha del enchufe y la flecha del cuadro del terminal del motor (ubicado abajo de la tapa de la extremidad del motor). Todas las preguntas relativas a la determinación del voltaje necesario para la operación correcta del motor y de la bomba en su sistema se deben hacer a un electricista profesional. La fábrica lo predetermina a 230 voltios.

Figura 6



## Instalación del cableado

**AVISO:** Verificar las instrucciones de cableado en tapa del terminal del motor o en la placa. Las características esenciales del motor de la bomba son las siguientes:

- 1.) 3.450 R.P.M.
- 2.) Monofásico
- 3.) Bivolt, 115/230 V. en los motores de 1 y 1 1/2 H.P.; 230 V. Solamente en los motores de 2 H.P.
- 4.) Los motores de 1/2, 3/4, 1, y 1-1/2 caballos de fuerza vienen cableados para 230 voltios como norma de fábrica.

### Etapa 1:

Sacar la tapa de acceso al motor en la parte de atrás.

### Etapa 2:

Pasar el cable de tierra (verde o de cobre sin revestimiento) por la salida de la canaleta eléctrica en la lateral del motor. Primero conectar el cable de tierra, después conectar los cables de fuerza. Sujetar el cable de tierra al tornillo de tierra del motor (verde). Sujetar los cables para evitar descargas eléctricas

### Etapa 3:

Conectar los cables de entrada de fuerza al terminal del motor.

### Etapa 4:

Recolocar y sujetar la tapa del motor.  
NOTA: Los motores monofásicos giran solamente de la derecha hacia la izquierda (de frente para el bocal de succión) y no se pueden invertir.

## MOTOR

**AVISO:** Un motor que funciona en condiciones normales mantiene su desempeño nominal, considerando que sea un motor limpio, seco y con ventilación adecuada. Un motor sucio o que no esté “protegido” con una bolsa de estopa o de plástico, se recalentará.

## CEBADO Y PARTIDA

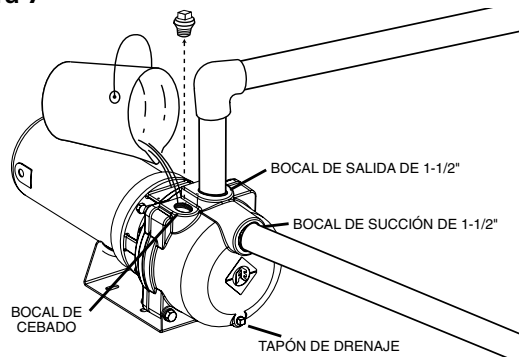
**AVISO** NUNCA haga funcionar la bomba en seco. Llene la bomba con agua antes de arrancar. La operación de la bomba en seco puede causar daños e invalidará la garantía.

**AVISO** NUNCA opere la bomba contra una salida cerrada. Esto puede causar presión peligrosa y riesgo de explosión.

### Etapa 1 (Figura 7):

Sacar el tapón de la salida del cebado de la bomba.

Figura 7



### Etapa 2:

Abrir las válvulas de salida y todas las mangueras del lado de salida de la bomba.

### Etapa 3:

Llenar la bomba con agua por el bocal de cebado en la parte superior de la bomba. Dejar salir el aire por algunos minutos, después agregar más agua hasta llenarla.

### Etapa 4:

Recolocar el tapón del bocal de cebado con una llave, usando cinta de PTFE en las roscas de los tubos.

### Etapa 5:

Hacer funcionar la bomba. Una bomba bien cebada debe descargar agua sin aire a una presión constante. Si la bomba no produce agua después de cinco minutos, pararla, soltar la presión, sacar el tapón del bocal de cebado, agregar más agua, recolocar el tapón y recomenzar. (Cerciorarse que la válvula de pedestal está bien instalada en el tubo de succión. Ver “Conexión del bocal de succión” Figura 4)

## MANUTENCIÓN



**AVISO** Si no se desconecta la energía eléctrica antes de hacer la manutención, pueden ocurrir descargas eléctricas, quemaduras o la muerte.



**AVISO** Antes de desconectar la bomba, cerciorarse que los contactos de la caja de fusibles estén desconectados o que esté desenchufada. Después de montar la bomba nuevamente, verificar las instrucciones de cebado antes de ponerla a funcionar.

### ¡PRESIÓN PELIGROSA!

-No haga funcionar la bomba contra una salida cerrada.

-Deje salir toda la presión del sistema antes de trabajar en cualquier componente.

## A. Drenaje (Figura 8)

La bomba debe drenarse si corre el riesgo de congelarse, si estuvo fuera de servicio durante un largo período de tiempo o si requiere mantenimiento.

Para drenar la bomba, desconectar la fuente de energía, sacar el tapón del bocal de cebado de la caja de la bomba, sacar el tapón de drenaje (abajo del bocal de succión) y drenar el sistema. Recolocar el tapón de drenaje.

**AVISO: Aunque este proceso drene la bomba, no necesariamente drenará las demás partes de la tubería. Si existe alguna preocupación sobre el procedimiento adecuado o necesidad de drenar la tubería de succión, entre en contacto con su contratista.**

## B. Desmontaje de la Bomba (Apéndice I y Figura 9)

Para tener acceso a los componentes internos de la bomba, revisar el diagrama explotado de la bomba que se muestra en la página de piezas de reparación (Apéndice I). Drenar la bomba como se describe anteriormente y después sacar los cuatro tornillos que sujetan la caja de la bomba al soporte del motor. Esto permitirá sacar el motor y el subconjunto hidráulico de la caja sin perjudicar la tubería. Ubicar e inspeccionar el diafragma y el anillo aislante que son sellos internos. Cerciorarse que estén en buenas condiciones y funcionando correctamente. Para sacar el difusor, aflojar los 3 tornillos que lo sujetan al soporte del motor. Esto dejará la turbina y la junta a la vista. Sacar la junta. Para sacar la turbina, quitar la tapa del extremo opuesto del motor y sujetar el eje con una llave de boca de 7/16". El eje del motor está aplanado detrás del interruptor centrífugo, cerca de la campana trasera del motor. Se puede insertar la llave de boca en el eje por detrás de la sobrecarga del motor. Desatornillar la turbina del eje del motor

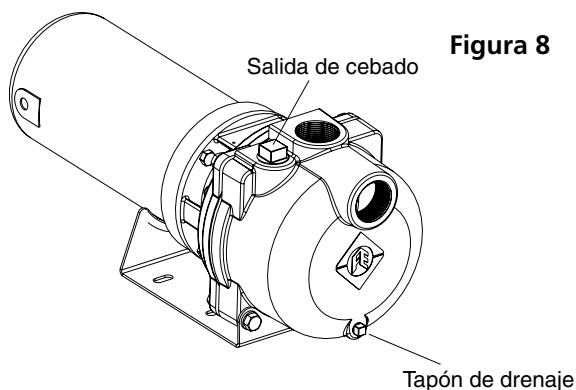


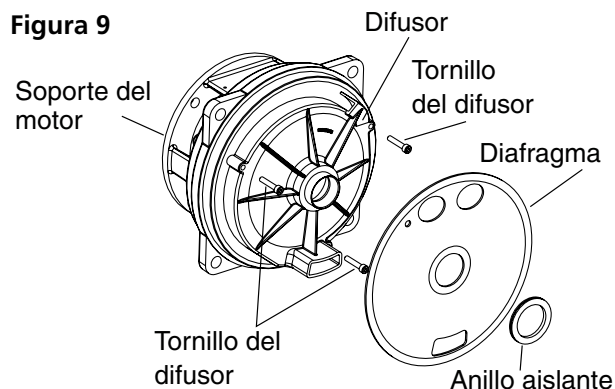
Figura 8

agarrando el diámetro externo de la turbina con un guante y girándola en el sentido de las agujas del reloj. Esto dejará la junta mecánica del eje a la vista. Esta junta se puede sacar del eje del motor para inspeccionarla. El soporte del motor se puede sacar, destornillando los 4 tornillos de la parte trasera del soporte del motor. Para sacar la junta cerámica del eje, apretar suavemente por la parte de atrás de la cerámica y, entonces, caerá fácilmente. Inspeccionar, limpiar o cambiar las partes necesarias.

## C. Montaje de la Bomba

Montar nuevamente la unidad apretando primeramente la junta cerámica en la placa de la junta. Usar alcohol de fricción como lubricante. No use aceite, vaselina o grasa, porque esto perjudicará las superficies de sellado de la junta del eje durante la operación. A continuación, instalar el soporte del motor en el motor usando los cuatro tornillos. Apretar los tornillos en diagonal para garantizar el ajuste correcto. Instalar la junta del eje y después instalar la turbina y la junta. El difusor se posiciona con tres tornillos y después solamente se puede instalar cuando esté en el sentido correcto (Figura 9). Posicionar el diafragma en el orificio de succión del difusor. (como muestra la Figura 9). El anillo aislante deslizará sobre el orificio del difusor en la parte de arriba del diafragma. Levantar el conjunto del motor y colocarlo dentro de la caja de la bomba, ajustándolo con los 4 tornillos. Al asentar la caja de la bomba contra el soporte del motor, el diafragma debe quedar encajado entre ellos alrededor de todo el perímetro. Esto permite que el diafragma sirva de junta entre las dos partes de hierro fundido. Si el diafragma no está ubicado correctamente la unidad tendrá pérdidas cuando se llene la caja con agua. Apretar todos los tornillos con un torque de 185 pulgadas/libra en diagonal para asegurar el asentamiento adecuado de todos los componentes.

Figura 9



# PIEZAS PARA LA TURF BOSS BOMBA AUTOCEBANTE PARA REGADORES APÉNDICE I

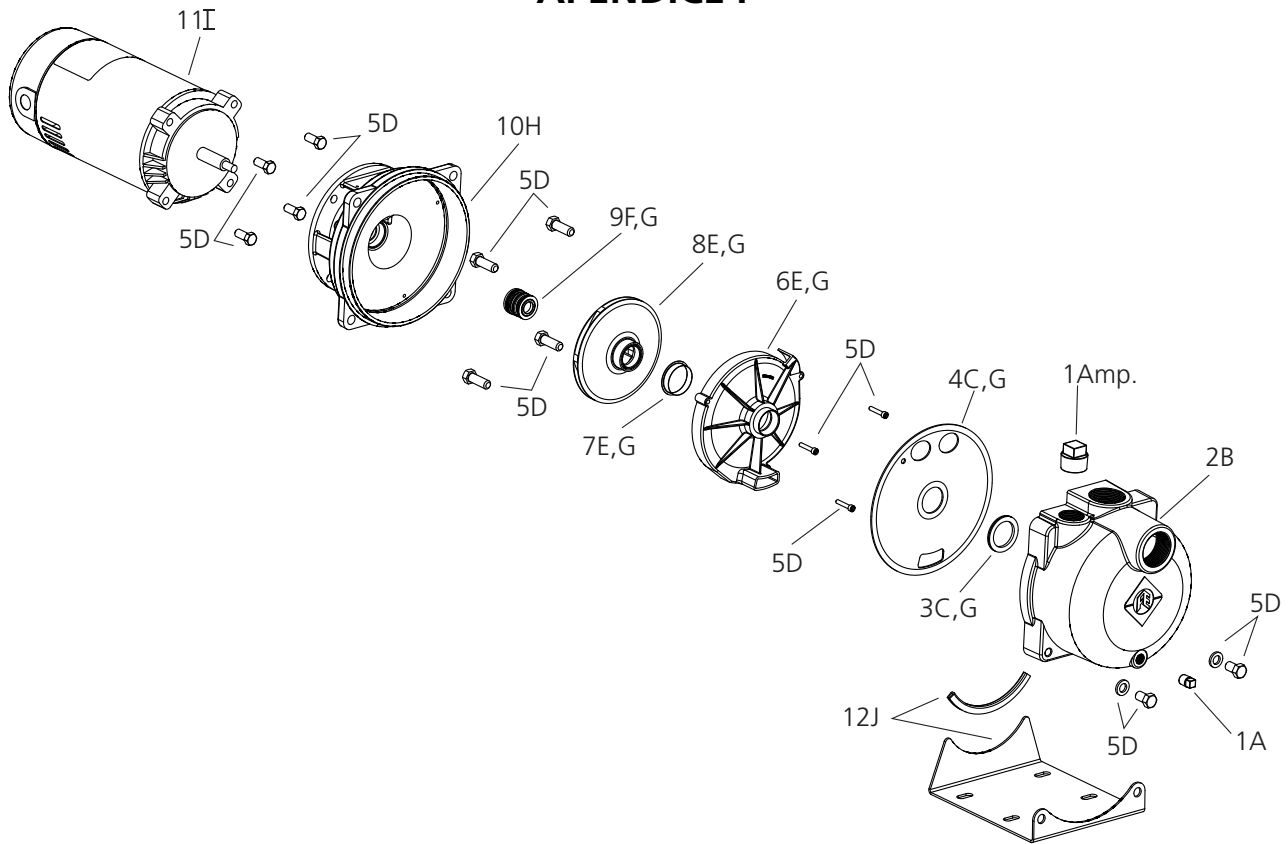


Figura Número	Descripción	Identificador de Agrupamiento de Kit*	Códigos de Pedido de Repuestos por Número de Modelo		
			TB1CI	TB15CI	TB2CI
1	Kits de tapones	A		305390901	
2	Caja de la bomba	B		305391901	
3	Anillo aislante	C		305392901	
		G	305396901	305396902	305396903
4	Diafragma	C		305392901	
		G	305396901	305396902	305396903
5	Kit de fijación*	D		305393901	
6	Difusor	E	305394901	305394902	305394903
		G	305396901	305396902	305396903
7	Anillo de desgaste	E	305394901	305394902	305394903
		G	305396901	305396902	305396903
8	Turbina, termoplástico	E	305394901	305394902	305394903
		G	305396901	305396902	305396903
	Turbina, acero inoxidable	E	305394904	305394905	305394906
		G	305396904	305396905	305396906
9	Sello mecánico	F		305395901	
		G	305396901	305396902	305396903
10	Soporte del motor	H		305397901	
11	Motor, monofásico	I	305398901	305398902	305398903
	Motor, tres fases	I	305398904	305398905	305398906
12	Conjunto de la base	J		305399901	

\* Los ítems con mismo identificador se venden/embalan juntos

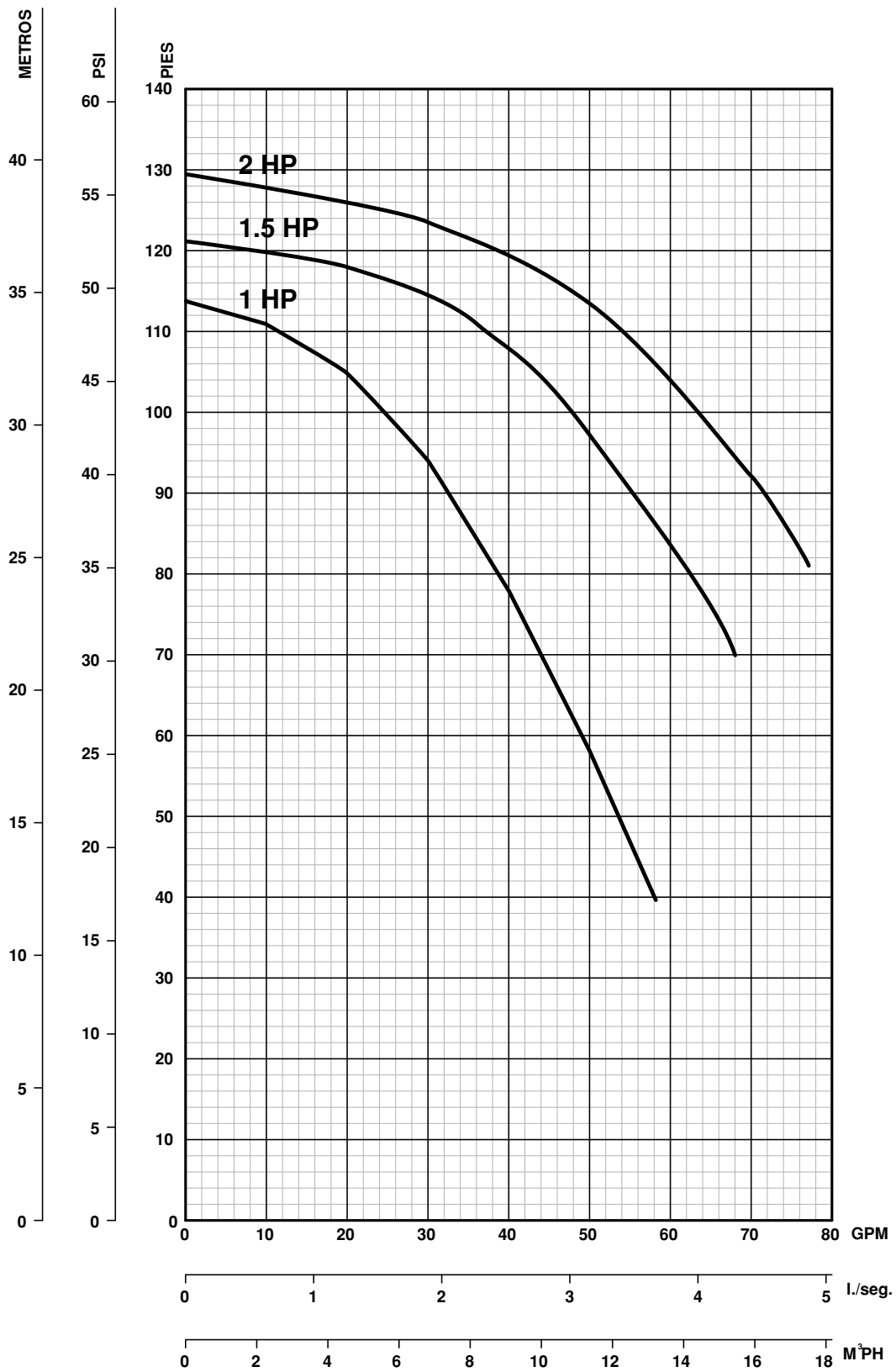
\*\* Los kits de fijación (5D) son un juego completo de herrajes usados para montar la Turf Boss. Para mayor conveniencia todos los demás kits de reparación contienen las fijaciones necesarias para remontar sus componentes.



## APÉNDICE II - SOLUCIÓN DE PROBLEMAS

Problem	Causa	Solución
La bomba no expelle agua o presión	1. La bomba no está llena de agua.	1. Parar la bomba, llenarla de agua, verificar las conexiones de la tubería para asegurarse que no haya pérdidas de aire e intentar nuevamente.
Baja presión	1. El motor no está a la velocidad adecuada. 2. La turbina está parcialmente obstruida. 3. Sale aire por el tubo de succión.	1. Verificar el voltaje y apretar las conexiones de los cables. 2. Verificar si no hay piedras o residuos en la turbina. Consultar las instrucciones de desmontaje para tener acceso a la turbina. 3. Verificar las conexiones de la línea de succión.
Poca capacidad	1. El nivel del agua está a más de 25 pies. 2. Está usando un tubo muy largo desde el agua hasta la bomba. 3. La turbina está obstruida. 4. El tubo desde la bomba al agua está parcialmente obstruido. 5. El motor está rotando inversamente (sólo trifásico)	1. La bomba no puede bombear a más de 25 pies. Consulte un distribuidor de Franklin Pump Systems. 2. Debe usar un tubo de diámetro mayor. 3. Verificar la turbina. Consultar las instrucciones de desmontaje anteriores. 4. Verificar el tubo. 5. Cambie 2 de los cables para invertir la rotación (sólo trifásicos)
Recalentamiento del motor	1. Voltaje o conexiones impropias. 2. Ventilación del motor inadecuada.	1. Verificar si el voltaje es el mismo indicado en el motor o en la placa de datos. Cerciórese de que todas las conexiones de cable están bien ajustadas. 2. Verificar si el motor está limpio y bien ventilado.
El motor no arranca	1. Interruptores abiertos, fusibles quemados o conexiones flojas. 2. Conexiones hasta el motor impropias.	1. Verificar los interruptores, fusibles y conexiones. 2. Cerciarse que las conexiones estén apretadas.
Registro de aire (exceso de aire en el tubo)	1. Pérdidas de aire por el tubo. 2 Gotas de agua abajo de la punta del tubo..	1. Verificar conexiones. 2. La bomba está tirando demasiado. Apretar la válvula de control hacia abajo gradualmente hasta que la bomba comience a funcionar adecuadamente.
Ruidos de piedras dentro de la bomba (cavitación)	1. La bomba está funcionando por arriba de su capacidad (NPSHR superior a NPSHA) 2. El tubo de succión es muy chico o muy largo. 3. La punta del tubo de succión está en el barro o en la arena.	1. Consulte un distribuidor de Franklin Pump Systems. 2. Use un tubo de diámetro mayor. 3. Levantar la punta del tubo de succión o limpiar el pozo.

## APÉNDICE III - CURVA DE DESEMPEÑO



## APÉNDICE IV - TABLAS DE PÉRDIDA DE FRICCIÓN

**1"**

Programar 40 tubos 1.049 pulgadas de diámetro interno/tubo de cobre de 1.025 pulgadas de diámetro interno tipo L					
GPM	Velocidad Pies/segundo	Pérdida de fricción Ft. Hd./100' de tubo		Velocidad Pies/segundo	Ft Hd./ Pérdida por fricción 100' tubo C = 130
		Acero C= 100	PVC C= 140		
2.0	0.74	0.60	0.32	.078	0.41
3.0	1.11	1.26	0.68	1.17	0.87
4.0	1.49	2.14	1.15	1.56	1.48
5.0	1.86	3.24	1.75	1.95	2.23
6.0	2.23	4.54	2.45	2.34	3.13
8.0	2.97	7.73	4.16	3.11	5.35
10	3.71	11.7	6.31	3.89	8.08
12	4.46	16.4	8.85	4.67	11.3
14	5.20	21.8	11.8	5.45	15.0
16	5.94	27.9	15.1	6.22	19.2
18	6.68	34.7	18.7	7.00	23.9
20	7.43	42.1	22.8	7.78	29.0
25	9.29	63.6	34.6	9.74	43.9
30	11.1	89.2	48.1	11.7	61.4
40	14.9	152	82.0	15.5	105

**1¼"**

Programar 40 tubos 1.380 pulgadas de diámetro interno/tubo de cobre de 1.265 pulgadas de diámetro interno tipo L					
GPM	Velocidad Pies/segundo	Pérdida de fricción Ft. Hd./100' de tubo		Velocidad Pies/segundo	Ft Hd./ Pérdida por fricción 100' tubo C = 130
		Acero C= 100	PVC C= 140		
4.0	0.86	0.56	0.30	1.02	0.52
6.0	1.29	1.20	0.65	1.53	1.12
8.0	1.72	2.04	1.10	2.04	1.92
10	2.15	3.08	1.67	2.55	2.90
12	2.57	4.31	2.33	3.06	4.04
14	2.00	5.73	3.10	3.57	5.35
16	3.43	7.34	3.96	4.08	6.85
18	3.86	9.13	4.93	4.59	8.52
20	4.29	11.1	6.00	5.10	10.4
25	5.36	16.8	9.06	6.38	15.7
30	6.43	23.5	12.7	7.65	22.1
40	8.58	40.0	21.6	10.2	37.6
50	10.7	60.4	32.6	12.8	56.7
60	12.9	84.7	45.6	15.3	79.5
80	17.2	144	77.9	20.4	136

**1.5"**

Programar 40 tubos 1.610 pulgadas de diámetro interno/tubo de cobre de 1.505 pulgadas de diámetro interno tipo L					
GPM	Velocidad Pies/segundo	Pérdida de fricción Ft. Hd./100' de tubo		Velocidad Pies/segundo	Ft Hd./ Pérdida por fricción 100' tubo C = 130
		Acero C= 100	PVC C= 140		
6.0	0.95	0.57	0.31	1.08	0.49
8.0	1.26	0.96	0.52	1.44	0.82
10	1.58	1.45	0.79	1.80	1.24
12	1.89	2.04	1.10	2.16	1.73
15	2.36	2.95	1.59	2.70	2.62
20	3.15	5.24	2.83	3.60	4.46
25	3.94	7.90	4.26	4.51	6.74
30	4.73	11.1	6.00	5.41	9.44
40	6.30	18.9	10.2	7.21	16.1
50	7.88	28.5	15.4	9.01	24.3
60	9.46	40.0	21.6	10.8	34.1
70	11.0	53.2	28.7	12.6	45.5
80	12.6	68.1	36.8	14.4	58.1
90	14.2	84.7	45.7	16.2	72.1
100	15.8	103	56.6	18.0	87.7

**2"**

Programar 40 tubos 2.067 pulgadas de diámetro interno/tubo de cobre de 1.985 pulgadas de diámetro interno tipo L					
GPM	Velocidad Pies/segundo	Pérdida de fricción Ft. Hd./100' de tubo		Velocidad Pies/segundo	Ft Hd./ Pérdida por fricción 100' tubo C = 130
		Acero C= 100	PVC C= 140		
10	0.96	0.43	0.23	1.07	0.35
15	1.44	0.92	0.50	1.60	.075
20	1.91	1.55	0.84	2.13	1.24
25	2.39	2.35	1.27	2.66	1.87
30	2.87	3.29	1.78	3.19	2.62
40	3.82	5.60	3.03	4.26	4.48
50	4.78	8.46	4.57	5.32	6.76
60	5.74	11.9	6.44	6.39	9.47
70	6.69	15.8	8.53	7.45	12.6
80	7.65	20.2	10.9	8.52	16.2
90	8.61	25.1	13.6	9.58	20.0
100	9.56	30.5	16.5	10.7	24.4
120	11.5	42.7	23.1	12.8	34.1
150	14.3	64.7	35.0	16.0	51.6
200	19.1	110	59.4	21.3	87.8

**2.5"**

Programar 40 tubos 2.469 pulgadas de diámetro interno/tubo de cobre de 2.465 pulgadas de diámetro interno tipo L					
GPM	Velocidad Pies/segundo	Pérdida de fricción Ft. Hd./100' de tubo		Velocidad Pies/segundo	Ft Hd./ Pérdida por fricción 100' tubo C = 130
		Acero C= 100	PVC C= 140		
20	1.21	0.66	0.35	1.34	0.40
30	2.01	1.39	0.75	2.02	0.85
40	2.68	2.36	1.27	2.69	1.46
50	3.35	3.56	1.92	3.36	2.20
60	4.02	4.99	2.69	4.03	3.08
70	4.69	6.64	3.58	4.70	4.11
80	5.36	8.50	4.59	5.37	5.25
90	6.03	10.6	5.72	6.04	6.52
100	6.70	12.8	6.90	6.71	7.94
110	7.37	15.3	8.22	7.38	9.44
130	8.71	20.9	11.3	8.73	12.9
150	10.0	27.3	14.7	10.1	16.8
200	13.4	46.3	25.0	13.4	28.6
250	16.8	81.7	44.1	16.8	43.4
300	20.1	98.1	52.9	20.1	61.1

**Nota:** El gráfico muestra la pérdida por fricción para cada 100' de tubo. Para convertir para pérdida por fricción por pie, mover la coma 2 casillas hacia la izquierda.

## **GARANTÍA LIMITADA\***

ESTA GARANTÍA ESTABLECE LAS OBLIGACIONES QUE LE CORRESPONDEN A LA COMPAÑÍA Y EL RESARCIMIENTO QUE LE CORRESPONDE EXCLUSIVAMENTE AL COMPRADOR EN CASO DE QUE EL PRODUCTO SEA DEFECTUOSO.

Franklin Electric Company, Inc. y sus subsidiarias (en adelante "la Compañía") garantiza que los productos que cubre esta garantía carecen de defectos en cuanto al material o la mano de obra de la Compañía.

La Compañía tiene derecho a inspeccionar todo producto devuelto en garantía para confirmar si contiene defectos en el material o la mano de obra. La Compañía tendrá el derecho exclusivo de elegir si reparará o reemplazará el equipo, las piezas o los componentes defectuosos.

El comprador deberá enviar el producto al lugar de compra para hacer uso de la garantía. Con sujeción a los términos y las condiciones que se enumeran a continuación, la Compañía reparará o reemplazará para el comprador cualquier parte de este producto que resulte ser defectuosa a causa de los materiales o la mano de obra de la Compañía.

La empresa considerará los productos garantizados por doce meses contados desde la fecha de su instalación, o 24 meses desde su fecha de manufactura, lo que ocurra primero.

La Compañía no se responsabilizará EN NINGÚN CASO ni estará obligada a responder por el costo del trabajo de campo u otros cargos en los que incurra un cliente al retirar y/o instalar un producto, una pieza o un componente de este.

La Compañía se reserva el derecho de cambiar o mejorar sus productos, o parte de ellos, sin tener la obligación de proveer dicho cambio o mejora a los productos que ya se han vendido.

ESTA GARANTÍA NO SE APLICA A los productos dañados por sucesos de fuerza mayor, incluyendo descargas eléctricas, el desgaste normal del producto, los servicios habituales de mantenimiento y las piezas que se utilicen en relación con dichos servicios, o por cualquier otra condición que escape al control de la Compañía.

ESTA GARANTÍA SE ANULARÁ DE INMEDIATO si se presenta cualquiera de las siguientes condiciones:

1. El producto se utiliza para otros propósitos distintos de aquellos para los que fue diseñado y fabricado;
2. El producto no se instaló de conformidad con los códigos, los reglamentos y las buenas prácticas comerciales vigentes;
3. El producto no fue instalado por un contratista certificado por Franklin o Franklin Key Dealer; o
4. El producto resultó dañado por negligencia, abuso, accidente, aplicación indebida, modificación, alteración, instalación inadecuada, operación, mantenimiento o almacenamiento o como resultado del abuso de los límites recomendados y establecidos en las instrucciones del producto.

NI EL VENDEDOR NI LA COMPAÑÍA SERÁN RESPONSABLES FRENTE A UNA LESIÓN, PÉRDIDA O DAÑO DIRECTO, INCIDENTAL O EMERGENTE (INCLUIDOS, A TÍTULO ENUNCIATIVO, MAS NO LIMITATIVO, LOS DAÑOS INCIDENTALES Y EMERGENTES POR LUCRO CESANTE, LAS VENTAS NO REALIZADAS, LAS LESIONES A LAS PERSONAS O LA PROPIEDAD, O CUALQUIER OTRA PÉRDIDA INCIDENTAL O EMERGENTE) QUE SURJAN DEL USO O LA IMPOSIBILIDAD DE USO DEL PRODUCTO, Y EL COMPRADOR CONVIENE EN QUE NO PODRÁ EXIGIR NINGÚN OTRO RESARCIMIENTO.

LA GARANTÍA Y EL RESARCIMIENTO DESCRITOS EN ESTA GARANTÍA LIMITADA SON EXCLUSIVOS Y REEMPLAZAN A CUALQUIER OTRA GARANTÍA O RESARCIMIENTO, EXPRESO O IMPLÍCITO, Y POR EL PRESENTE SE EXCLUYEN OTRAS GARANTÍAS Y RESARCIMIENTOS INCLUYENDO, A TÍTULO ENUNCIATIVO, MAS NO LIMITATIVO, TODA GARANTÍA IMPLÍCITA DE COMERCIABILIDAD O IDONEIDAD PARA UN PROPÓSITO DETERMINADO, Y EN LA MEDIDA EN QUE ALGUNO DE LOS DOS SE APLIQUE A UN PRODUCTO, ESTARÁ LIMITADO A LA DURACIÓN DE LOS PERIODOS DE LAS GARANTÍAS EXPRESAS MENCIONADOS ANTERIORMENTE.

**DESCARGO DE RESPONSABILIDAD:** las declaraciones verbales que el vendedor, la Compañía, los representantes o cualquier otra parte, hagan respecto del producto, no constituirán garantías, ni formarán parte del contrato de venta, ni el comprador se fiará de ellas. La única obligación del Vendedor y la Compañía, y el único resarcimiento a disposición del comprador, será el reemplazo y/o la reparación del producto por parte de la Compañía, de la forma descrita anteriormente. Antes de usar el producto, el usuario determinará la idoneidad de este para su uso previsto, y el usuario asumirá los riesgos y la responsabilidad que deriven de esta acción.

En algunos estados y países no se permite la exclusión o la limitación respecto de cuánto tiempo durará una garantía implícita, ni tampoco la exclusión o la limitación respecto de los daños incidentales o emergentes, de manera que es posible que la exclusión o las limitaciones mencionadas anteriormente en su caso no se apliquen. Esta garantía le concede derechos legales específicos, y también puede tener otros derechos que varían según el estado y el país.

\*Comuníquese con la División de Exportaciones para Garantías Internacionales de Franklin Electric Co., Inc.



**Franklin Electric**

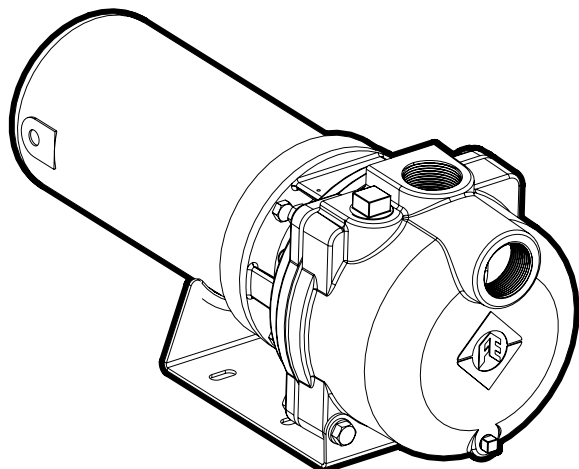
400 E. Spring St., Bluffton, IN 46714  
Tel: 260-824-2900 Fax: 260-824-2909  
www.franklin-electric.com



Franklin Electric



# Pompe d'arrosage auto-amorçante GUIDE D'UTILISATION



## AVANT DE COMMENCER

**AVANT DE PROCÉDER À L'INSTALLATION DE LA POMPE, VEUILLEZ LIRE ATTENTIVEMENT CE GUIDE D'UTILISATION**

**CONSULTEZ LES PLAQUES SIGNALÉTIQUES POUR DES CONSIGNES D'UTILISATION ET DES SPÉCIFICATIONS ADDITIONNELLES.**

### **ATTENTION**

- L'aire de travail doit être propre, bien illuminée et dégagée.
- Gardez les étiquettes de sécurité propres et en bon état.
- Remplacez toute étiquette de sécurité manquante ou endommagée.
- Portez des lunettes de protection pendant les travaux d'installation ou de maintenance de la pompe.
- Respectez les directives du National Electric Code ( NEC ) ou du Code canadien de l'électricité ( CCE ) ainsi que les codes provinciaux ou locaux applicables pour TOUTES les installations électriques. Vérifiez la conformité auprès des agences appropriées ou faites appel à un électricien agréé.

La plupart des problèmes qui surviennent dans des systèmes de distribution d'eau sont le résultat d'une installation fautive. Nous vous recommandons de lire attentivement le guide d'utilisation présent avant de procéder à l'installation de votre pompe. La section de « DÉPANNAGE » vous aidera à localiser et éliminer les causes de tout problème que vous pourriez rencontrer après l'installation. Inspectez et préparez tous les outils dont vous aurez besoin pour installer votre pompe. Vous pourriez avoir besoin de clés, composé scellant, raccords et mamelons, tournevis, etc.

Assurez-vous d'avoir sous la main le matériel d'installation électrique approprié pour terminer l'installation correctement.

## **LISEZ ET RESPECTEZ LES CONSIGNES DE SÉCURITÉ**

**⚠** Voici le symbole d'avertissement en matière de sécurité. Chaque fois que vous voyez ce symbole sur votre pompe ou dans le guide présent, vous trouverez un des trois mots-indicateurs suivants qui vous permettront de rester à l'affût des risques de blessures corporelles :

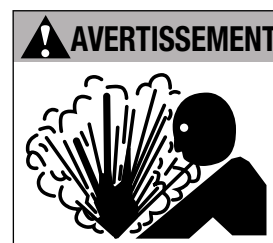
**⚠ DANGER** vous avertit d'un danger qui entraînera des blessures corporelles sérieuses, la mort ou des dommages matériels importants s'il est ignoré.

**⚠ AVERTISSEMENT** vous avertit d'un danger qui **risque** d'entraîner des blessures corporelles sérieuses, la mort ou des dommages matériels importants s'il est ignoré.

**⚠ ATTENTION** vous avertit d'un danger qui **entraînera** ou qui **risque** d'entraîner des blessures corporelles mineures ou des dommages matériels importants s'il est ignoré.

La mention **REMARQUE** introduit des instructions particulières qui sont importantes, mais ne sont pas liées aux risques.

**Veillez lire attentivement toutes les consignes de sécurité dans ce guide et sur la pompe et les respecter.**



**⚠ AVERTISSEMENT** **PRESSIION DANGEREUSE** : La pompe ne doit pas être mise en marche contre une sortie d'eau fermée. Relâchez la pression entière du système avant de travailler sur un des éléments.

**⚠ ATTENTION** La pompe ne doit pas fonctionner à sec. Remplissez la pompe d'eau avant le démarrage pour éviter des dommages.

Le moteur de cette pompe est garanti par le fabricant et, en cas de défectuosité, il doit être retourné à un centre de service autorisé pour réparation. La garantie du moteur est nulle si les réparations ne sont pas exécutées par un centre de service autorisé.



## ÉLECTRICITÉ ET SÉCURITÉ

**⚠ AVERTISSEMENT** Assurez-vous que **TOUTE L'ALIMENTATION ÉLECTRIQUE EST COUPÉE** avant de brancher des fils électriques.

**⚠ ATTENTION** La tension d'un condensateur peut être dangereuse. Pour décharger le condensateur du moteur, tenez un tournevis à manche isolé **PAR LE MANCHE** et placez-le contre les bornes courtes du condensateur. Prenez soin de ne pas toucher la lame métallique du tournevis ou les bornes du condensateur pour éviter une décharge électrique. En cas de doute, faites appel à un électricien qualifié.

**⚠ AVERTISSEMENT**



**Tension dangereuse. Peut causer des chocs électriques, des brûlures ou la mort.**

Mettez la pompe à la terre avant de la brancher à l'alimentation électrique. Coupez l'alimentation électrique avant d'effectuer des travaux sur la pompe, le moteur ou le réservoir.

**⚠ Câblez le moteur en respectant la tension correcte. Consultez la section « Installation électrique » du guide présent ainsi que la plaque signalétique du moteur.**

**⚠ Mettez le moteur à la terre avant de le brancher à l'alimentation électrique.**

**⚠ Respectez le National Electrical Code ( NEC ) ou le Code canadien de l'électricité ( CCE ) ainsi que les codes locaux applicables lors de la pose des fils.**

**⚠ Respectez toutes les directives de câblage fournies dans le guide présent.**

**⚠ ATTENTION** **NE PAS TOUCHER un moteur en marche.** La surface du moteur peut être **CHAUDE**. Laissez le moteur refroidir pendant trente ( 30 ) minutes avant de le manipuler.

## SÉCURITÉ GÉNÉRALE

- Protégez la pompe et tous les éléments du système contre le gel. Le gel annule la garantie.
- Cette pompe a été conçue pour ne pomper que de l'eau. Le fait de pomper des liquides autres que de l'eau peut annuler la garantie.
- Inspectez régulièrement la pompe et les éléments du système.

## INTRODUCTION

Vous avez acheté une des pompes les plus faciles à utiliser offertes sur le marché. Les pompes Turf Boss sont faites de matériaux de qualité et conçues pour vous offrir des années de fonctionnement fiable. Les arroseurs de pelouse sont conçus pour offrir un débit de sortie maximal, tout en conservant la capacité d'aspirer l'eau à partir d'une source qui peut être située à un niveau jusqu'à 8 m ( 25 pi ) plus bas que la pompe. Toutes les pièces mécaniques, le moteur, le rotor, les commandes électriques, etc. sont situés au-dessus du sol et sont facilement accessibles. Si des travaux d'entretien devenaient nécessaires, vous n'auriez besoin que de simples outils à main. Cette pompe d'arrosage s'installe facilement et rapidement sans outils spéciaux ou appareils particuliers. Vous pouvez l'installer vous-même en suivant minutieusement les instructions incluses dans le guide présent.

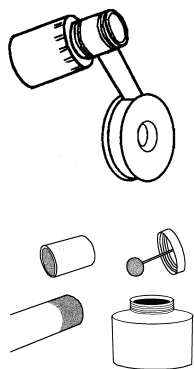
## INSPECTEZ LE MATÉRIEL REÇU

Toutes les pompes d'arrosage Turf Boss sont testées, inspectées et emballées avec soin afin que vous les receviez en parfait état. Dès livraison de votre pompe, inspectez-la de près pour vous assurer qu'elle n'a pas été endommagée et qu'aucune pièce ne s'est brisée pendant le transport. Signalez immédiatement tout dommage visible à votre transporteur et au commerçant. Le transporteur assume la responsabilité entière pour une livraison du matériel en bon état. Toute réclamation concernant des dommages, visibles ou cachés, au matériel doit s'adresser d'abord au transporteur.

## INSPECTION AVANT INSTALLATION

- La pompe ne doit pas être installée à une hauteur de plus de 8 m ( 25 pi ) au-dessus du niveau de l'eau.
- Utilisez aussi peu de coudes et de raccords que possible pour réduire la friction et maximiser le débit.
- Assurez-vous que les tuyaux, raccords et le clapet de pied sont propres et libres de toute saleté.
- La conduite d'aspiration doit être libre de poches d'air et de fuites.
- Utilisez du ruban à joints pour assurer l'étanchéité des joints filetés entre les tuyaux.

## INSTALLATION - CONSEILS



- Entourez toutes les extrémités à filetage mâle des tuyaux avec du ruban à joints. Ceci assurera l'étanchéité des raccords.
- Raccordement de tuyaux en PVC : Utilisez un produit d'apprêt pour tuyaux en PVC sur tous les raccords à coller avant d'appliquer le ciment-colle à PVC. Après avoir appliqué le ciment-colle aux deux surfaces à coller ensemble, joignez le tuyau et le raccord, tournez le tuyau d'un quart de tour et tenez pendant 30 secondes. Ceci assurera un collage solide de tous les raccords.

## INSTALLATION

### EMPLACEMENT DE LA POMPE

Déterminez un emplacement approprié pour l'installation de la pompe en fonction de la capacité nominale du moteur électrique de la pompe. Toutes les pompes Turf Boss sont approuvées par UL778 et portent l'inscription « CONVIENT À UN USAGE EXTÉRIEUR OU INTÉRIEUR ».

#### • OPTION D'INSTALLATION À L'INTÉRIEUR :

Choisissez un endroit propre, bien aéré et à l'épreuve des éléments qui protégera l'équipement contre le gel, les inondations et les grandes chaleurs. L'emplacement doit en plus permettre l'accès pour les travaux d'entretien et un drainage facile de la pompe et des tuyaux de raccordement. Des fondations ne sont pas requises si la surface est dure et plane. Il peut s'agir d'un endroit au sous-sol ou dans la pièce de service de la maison, d'un emplacement au puits ou entre le puits et le point d'utilisation.

#### • OPTION D'INSTALLATION À L'EXTÉRIEUR :

Si vous installez la pompe à l'extérieur, elle doit être protégée contre le gel par un abri de pompe pourvu d'un chauffage d'appoint.

Choisissez un endroit propre qui se prête à l'installation du réseau d'alimentation en eau. Des fondations ne sont pas requises si la surface est dure et plane. L'emplacement doit permettre l'accès pour les travaux d'entretien et un drainage facile de la pompe et des tuyaux de raccordement. Lors d'une installation à l'extérieur de la maison, la pompe et la tuyauterie doivent être vidées entièrement lorsque les conditions climatiques l'exigent pour éviter le gel des tuyaux et de la pompe.

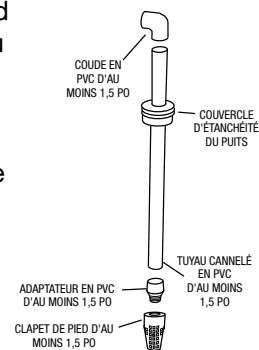
Décidez de quelle façon vous allez protéger le puits des contaminations de surface, conformément aux exigences en vigueur. Le dispositif le plus couramment utilisé à cette fin est un **COUVERCLE D'ÉTANCHÉITÉ HYGIÉNIQUE**. Si les conduites en provenance du puits doivent être placées sous la ligne de gel, enterrez la tête de puits ou utilisez un **COULISSEAU DE RACCORDEMENT** qui permet de garder la tête de puits hors du sol pour les travaux d'entretien tout en disposant d'ouvertures étanches dans le tubage sous la ligne de gel.

**Ci-dessous, vous trouverez les descriptions de trois utilisations de la pompe d'arrosage Turf Boss avec des puits ou sources d'eau. Les puits peuvent différer légèrement, mais l'application reste essentiellement la même.**

### Puits de surface unique ( illustration 1 )

Un puits de surface unique consiste habituellement en un puits foré muni d'un tubage en acier ou plastique de 1,2 à 1,8 m ( 4 à 6 pi ) posé verticalement dans le sol. La surface de l'eau devait se trouver à une profondeur d'au plus 8 m ( 25 pi ).

**Illustration 1**  
Raccordez le clapet de pied à la première longueur de tuyau d'aspiration et descendez-le dans le puits. Ajoutez des sections de tuyau au besoin et raccordez-les de façon étanche à l'aide d'une des méthodes décrites plus haut. Le clapet de pied doit se trouver à AU MOINS 1,5 m ( 5 pi ) sous la surface de l'eau pour tenir compte des abaissements éventuels du niveau d'eau.



Fermez le dessus du tubage de puits de 1,2 à 1,8 m ( 4 à 6 pi ) à l'aide d'un couvercle d'étanchéité pour empêcher tout débris de tomber dans le puits.

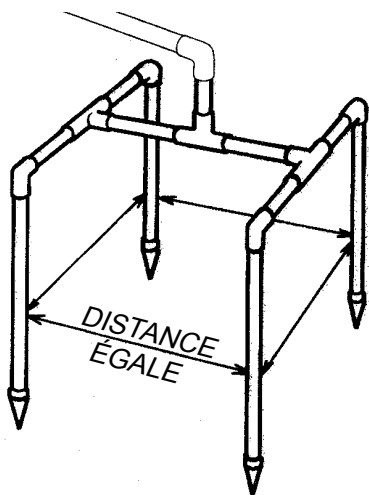


## **Réseau de pointes filtrantes ( illustration 2 )**

Dans une configuration de réseau de pointes filtrantes, l'eau provient d'au moins deux puits différents.

La distance entre les puits doit être d'au moins 1,5 m ( 5 pi ). Les puits peuvent être situés en ligne droite ( deux puits ou plus ), former un triangle ( trois puits ) ou un carré ( quatre puits ).

Installez un clapet de retenue ou une pointe filtrante fine sur chaque puits pour assurer que la pompe garde sa charge d'amorçage. La flèche de débit sur le clapet de retenue doit pointer vers la pompe.

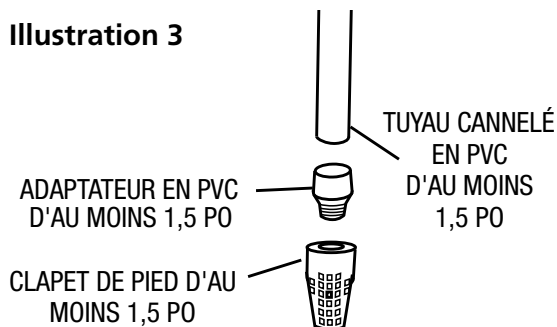


**Illustration 2**

## **Installation dans un lac ou étang ( illustration 3 )**

L'utilisation d'une source d'eau de surface comme un lac ou étang exige une installation similaire à celle avec un puits de surface unique. La conduite d'aspiration est placée dans la source d'eau et mène à la pompe. Cette configuration peut présenter une distance horizontale importante entre la source d'eau et la pompe.

**Illustration 3**



Le tuyau d'aspiration doit donc être plus grand d'une taille pour minimiser la perte de charge causée par la friction sur cette distance.

Installez un clapet de pied à l'extrémité de la conduite d'aspiration pour protéger la pompe des saletés.

## **TUYAUTERIE**

Si possible, boulonnez la pompe sur une base égale et solide. Positionnez la pompe de façon à ce que le l'orifice d'aspiration se trouve face aux conduites d'alimentation en eau. Dans la mesure du possible, évitez les angles de 90° et minimisez les courbes en raccordant la pompe à votre source d'eau. Installez la pompe aussi près de la source d'eau que possible pour minimiser l'effet de friction et maximiser la pression d'eau.

## **BRANCHEMENT HORIZONTAL DU TUYAU D'ASPIRATION**

Si la pompe est installée à l'écart du puits, il peut s'avérer nécessaire d'augmenter le diamètre du branchement horizontal du tuyau d'aspiration pour réduire les pertes de charge. Les pertes de charge d'un réseau augmentent :

1. ) avec l'augmentation du débit ;
2. ) avec la diminution du diamètre des conduites.

Consultez les tableaux de rendement ci-inclus ( annexe III ) ainsi que les tableaux des pertes de charge ( annexe IV ) de Turf Boss pour déterminer la charge de pression perdue en fonction des différentes applications. Les conduites du puits vers la pompe doivent être posées en pente vers le haut ( environ 2,5 cm ou 1 po de dénivellation par 75 cm ou 30 po de longueur ).

## **DIMENSIONS DES CONDUITES DE SORTIE POUR INSTALLATION**

Si la pompe est située à une certaine distance des points d'utilisation de l'eau, il faut augmenter le diamètre des conduites de sortie afin de réduire les pertes de charge. Les pertes de charge d'un réseau augmentent :

1. ) avec l'augmentation du débit ;
2. ) avec la diminution du diamètre des conduites.

Consultez les tableaux de rendement ci-inclus (annexe III) ainsi que les tableaux des pertes de charge (annexe IV) de Turf Boss pour déterminer la charge de pression perdue en fonction des différentes applications.

## A. Raccord de l'orifice d'aspiration ( illustration 4 )

### Étape 1 :

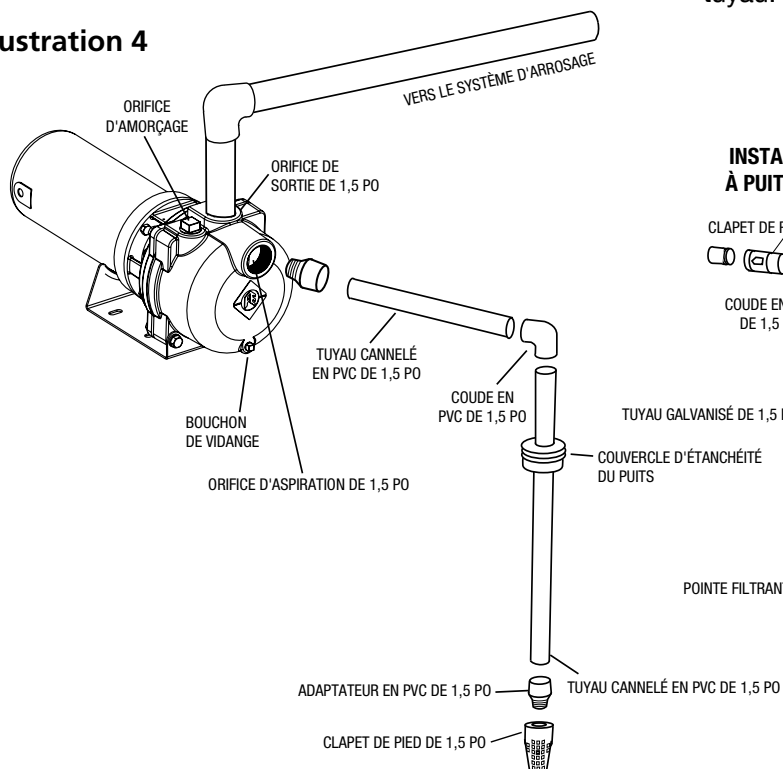
Raccordez le clapet de pied ou la pointe filtrante au système de conduites et descendez la conduite avec le clapet de pied jusqu'à une profondeur d'au moins 1,5 m ( 5 pi ) en dessous du niveau de l'eau. Si vous utilisez un puits, attachez le tuyau provisoirement au tubage pour l'empêcher de glisser dans le puits.

Si le puits est muni d'un tubage de 1,2 ou 1,8 m ( 4 ou 6 pi ), fermez-le à l'aide d'un couvercle d'étanchéité. Il ne faut jamais utiliser une conduite d'aspiration d'un diamètre inférieur au diamètre de l'orifice d'aspiration de la pompe.

### Étape 2 :

Raccordez les coudes, raccords, clapets de retenue et tuyaux de la source d'eau jusqu'à l'orifice d'aspiration à l'avant de la pompe. Si vous utilisez un système de conduites en PVC, assemblez les tuyaux et raccords vers la pompe AVANT d'appliquer le ciment-colle à PVC pour vérifier l'exactitude de l'assemblage. Utilisez du ruban à joints sur tous les filetages mâles en les entourant d'une à deux couches dans le sens des aiguilles d'une montre ( en faisant face au tuyau ). Serrez tous les raccords filetés. **NE PAS TROP SERRER LES RACCORDS ET LES TUYAUX !! Serrez les raccords à la main et ajoutez un demi-tour à l'aide d'une clé.**

Illustration 4

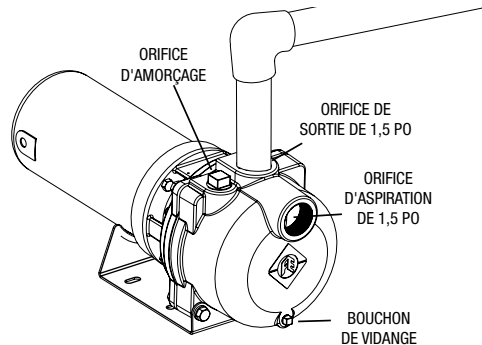


## B. Raccords de sortie ( illustration 5 )

### Étape 1 :

Vissez l'adaptateur mâle ou le mamelon dans la sortie sur le dessus de la pompe. ( Entourez le filetage de ruban à joints. )

Illustration 5



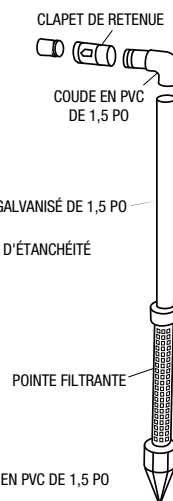
### Étape 2 :

Raccordez la conduite entre le manifold de l'arroseur et la sortie de la pompe. La dimension de la conduite de sortie doit augmenter avec la longueur de tuyau utilisée. Le diamètre du tuyau de sortie peut correspondre à celui de la sortie de pompe pour des longueurs de conduite allant jusqu'à 30 m ( 100 pi ). Utilisez un tuyau plus grand d'une taille pour des longueurs de 30 à 90 m ( 100 à 300 pi ). Pour des longueurs de 90 à 180 m ( 300 à 600 pi ), le diamètre doit être plus grand de deux tailles. Ceci réduira les pertes de charge.

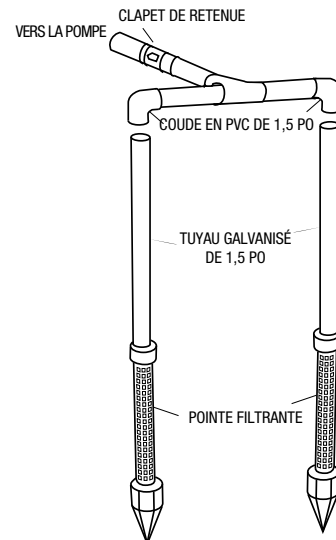
### Étape 3 :

Serrez tous les raccords filetés à l'aide d'une clé à tuyau. Évitez de trop serrer.

INSTALLATION À PUIT UNIQUE



INSTALLATION SUR RÉSEAU DE POINTES FILTRANT



## FICHE D'INSTALLATION

Afin de conserver les renseignements exacts sur l'installation, veuillez inscrire les informations indiquées ci-dessous :

<b>Date de l'installation :</b>
<b>Modèle :</b>
<b>Profondeur du puits ( m ) :</b>
<b>Profondeur jusqu'au niveau de l'eau ( m ) :</b>
<b>Diamètre intérieur du puits :</b>
<b>Dimension de la conduite d'aspiration :</b>
<b>Longueur de la conduite d'aspiration ( m ) :</b>
<b>Longueur de la conduite de sortie ( m ) :</b>
<b>Moteur :</b>
<b>Puissance :</b>
<b>Volts :</b>
<b>Calibre du fil :</b>

## INSTALLATION ÉLECTRIQUE



**⚠ AVERTISSEMENT** Des tensions dangereuses peuvent causer des chocs électriques, des brûlures ou la mort.

**⚠ ATTENTION** En cas de doute en ce qui concerne les connexions électriques appropriées, consultez un électricien agréé.

**⚠ ATTENTION** Un câblage fautif peut entraîner des dommages permanents au moteur. L'ensemble du câblage électrique doit satisfaire aux exigences du code de l'électricité en vigueur.

## REMARQUE

### LISEZ ET SUIVEZ TOUTES LES INSTRUCTIONS FOURNIES !

- Les connexions électriques de la pompe doivent satisfaire aux exigences du National Electric Code ( NEC ) ou du Code canadien de l'électricité ( CCE ) ainsi que des codes locaux applicables
- Tous les moteurs bitension sont pré-réglés en usine à une tension de 230 volts. ( Illustration 3 )
- Coupez l'alimentation électrique au tableau de distribution avant d'installer toute connexion électrique.
- La tension d'alimentation doit correspondre à +/- 10 % à la tension indiquée sur la plaque signalétique du moteur. Une tension trop élevée ou trop basse peut endommager le moteur et annuler la garantie.
- Dans la mesure du possible, branchez la pompe à un circuit de dérivation désigné qui n'alimente

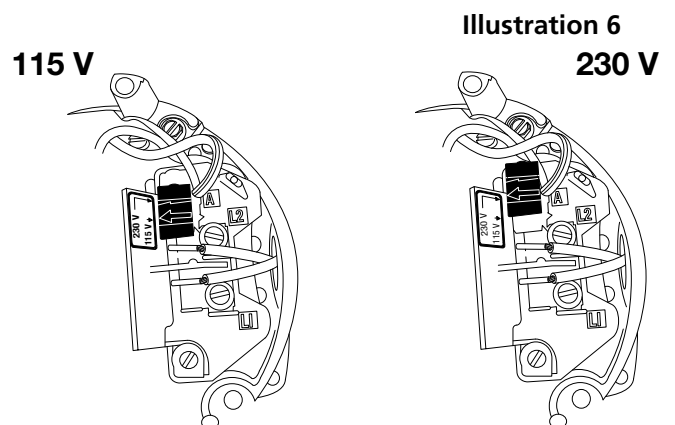
aucun autre appareil.

- La pompe ne doit pas être mise en marche sans mise à la terre.

**REMARQUE :** Si vous avez acheté un ensemble pompe/moteur 3 phases, la rotation du moteur doit être contrôlée après l'amorçage de la pompe, mais avant un fonctionnement continu. Vérifiez la rotation en « cognant » l'alimentation au moteur et en observant la rotation de couplage. Inversez la rotation comme indiqué sur le moteur si elle ne correspond pas à la flèche de rotation sur la console. Si vous avez acheté une extrémité de pompe et fixez un moteur trois phases, la rotation doit être vérifiée avant de connecter la pompe au moteur. Voir « Installer le moteur sur les extrémités de pompe » dans ce manuel. Un sectionneur fusionné ou un disjoncteur devrait être placé à ou près de la pompe.

## RÉGLAGE DU MOTEUR BITENSION (ensembles moteur/pompe simple phase uniquement)

**REMARQUE :** Pour modifier la tension au moteur ( illustration 6 ), débranchez le connecteur bitension du moteur et rebranchez-le dans la position requise pour le système d'alimentation électrique à utiliser. Le moteur peut être câblé à 115 volts ou 230 volts, à l'exception des modèles à 2 CH qui ne fonctionnent qu'à 230 volts. Vous pouvez déterminer le câblage de tension du moteur en vérifiant l'alignement de la flèche sur la prise avec la flèche sur la plaque à bornes, qui est située sous le flasque latéral du moteur. Pour toute question quant au réglage de tension requis pour un bon fonctionnement du moteur et de la pompe avec votre système d'alimentation électrique, veuillez vous adresser à un électricien professionnel. Le moteur est précâblé en usine à 230 volts.



## Câblage

**REMARQUE :** Consultez les instructions de câblage sur le couvre-bornes ou la plaque signalétique du moteur. Voici les caractéristiques essentielles du moteur de la pompe :

- 1.) 3450 T/M
- 2.) Monophasé
- 3.) Bitension, 115/230 sur les modèles à 1 et 1-1/2 CH ; uniquement 230 V pour les moteurs à 2 CH.
- 4.) Les moteurs d'une puissance de 1/2, 3/4, 1 et 1-1/2 CH sont câblés en usine pour une tension de 230 volts.

### Étape 1 :

Retirez le panneau d'accès à l'arrière du moteur.

### Étape 2 :

Insérez le fil de masse (vert ou cuivre nu) à travers le conduit électrique sur le côté du moteur. Connectez d'abord le fil de masse et ensuite les fils d'alimentation. Fixez le fil de masse à la vis de borne de terre du moteur ( en vert ). Attachez les fils pour éviter les courts-circuits.

### Étape 3 :

Connectez les fils d'alimentation à la plaque à bornes du moteur.

### Étape 4 :

Remettez le panneau d'accès solidement en place.

**REMARQUE :** Les moteurs monophasés tournent en sens inverse des aiguilles d'une montre ( en faisant face à l'orifice d'aspiration ) et ne peuvent pas être inversés.

## MOTEUR

**REMARQUE :** Un moteur fonctionnant dans des conditions normales conserve sa puissance nominale s'il est propre, sec et bien aéré. Un moteur sale ou « protégé » par une toile ou un sac de plastique sera sujet à une surchauffe.

## AMORÇAGE ET DÉMARRAGE

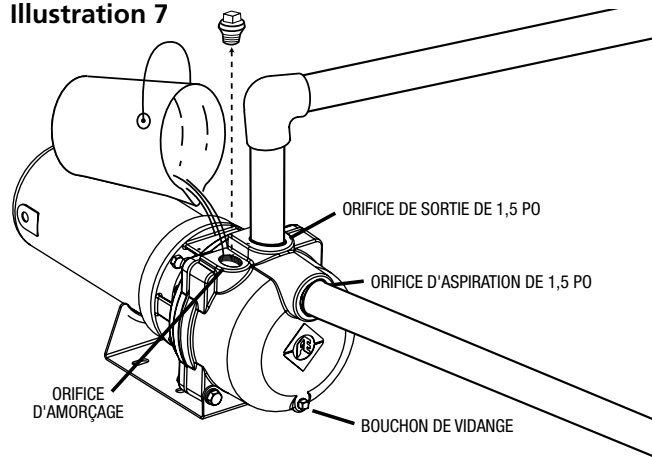
**⚠ AVERTISSEMENT** Il ne faut JAMAIS faire fonctionner une pompe à sec. Remplissez la pompe d'eau avant le démarrage. La mise en marche à sec d'une pompe risque de causer des dommages et annulera la garantie.

**⚠ AVERTISSEMENT** Il ne faut JAMAIS faire fonctionner une pompe contre une sortie d'eau fermée. Ceci risque de causer une pression dangereuse et un risque d'explosion.

### Étape 1 ( illustration 7 ) :

Retirez le bouchon de l'orifice d'amorçage de la pompe.

Illustration 7



### Étape 2 :

Ouvrez les robinets de refoulement et toutes les conduites de sortie de la pompe.

### Étape 3 :

Remplissez la pompe d'eau par l'orifice d'amorçage sur le dessus de la pompe. Permettez à l'air emprisonné de s'échapper pendant quelques minutes, puis ajoutez plus d'eau jusqu'à ce que la pompe soit remplie.

### Étape 4 :

Remettez le bouchon de l'orifice d'amorçage en place et serrez-le à l'aide d'une clé après avoir entouré les filetages des tuyaux avec du ruban à joints.

### Étape 5 :

Démarrez la pompe. Une pompe bien amorcée doit montrer un débit d'eau constant, libre de bulles d'air et à une pression constante. S'il n'y a aucun débit d'eau après cinq minutes, arrêtez la pompe, libérez toute la pression, retirez le bouchon de l'orifice d'amorçage, ajoutez de l'eau, remettez le bouchon en place et essayez de nouveau. ( Assurez-vous qu'un clapet de pied est installé correctement sur la conduite d'aspiration. Voir la section « Raccord de l'orifice d'aspiration ». Illustration 4 )

## MAINTENANCE



**⚠ AVERTISSEMENT** L'exécution de travaux de maintenance sans avoir coupé l'alimentation électrique risque d'entraîner des chocs électriques, des brûlures ou la mort.

**⚠ AVERTISSEMENT** Avant de débrancher la pompe, assurez-vous que les fils de sortie de la boîte de fusibles sont débranchés ou que l'alimentation est coupée. Après le remontage de la pompe, suivez les instructions d'amorçage avant le démarrage.

## **PRESSION dangereuse !**

**-Il ne faut pas faire fonctionner une pompe contre une sortie d'eau fermée.**

-Libérez toute pression du système avant de travailler sur un des éléments.

### **A. Vidange ( Illustration 8 )**

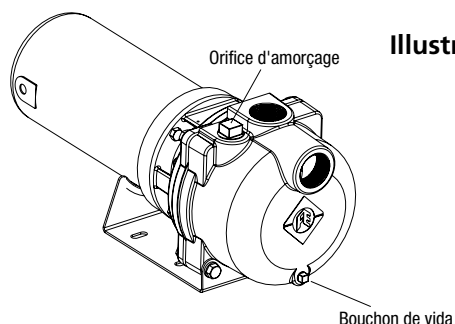
La pompe doit être vidangée en présence d'un danger de gel, lorsqu'elle sera hors service pour une période prolongée ou lorsqu'il faut exécuter des travaux d'entretien ou de réparation.

Pour vidanger la pompe, coupez l'alimentation électrique, retirez le bouchon de l'orifice d'amorçage du corps de pompe, retirez le bouchon de vidange ( sous l'orifice d'aspiration ) et laissez le système se vider. Remettez le bouchon de vidange en place.

**REMARQUE : Cette procédure videra la pompe, mais non pas nécessairement toutes les autres parties de la tuyauterie. En cas de doute concernant la procédure à suivre ou la nécessité d'une vidange de la tuyauterie d'aspiration, veuillez contacter votre fournisseur.**

### **B. Démontage de la pompe ( annexe I et illustration 9 )**

Pour accéder aux composants intérieurs de la pompe, consultez la vue éclatée pour le montage de la pompe à la page sur les pièces de rechange (annexe I). Vidangez la pompe tel que décrit ci-haut en puis retirez les quatre boulons qui fixent le corps de pompe à la console de moteur. Vous serez alors en mesure de retirer le moteur et le sous-ensemble hydraulique du corps sans toucher à la tuyauterie. Localisez et inspectez la membrane et l'oeillet qui constituent un joint d'eau interne. Assurez-vous que ces pièces sont en bonne condition et fonctionnent bien. Pour retirer le diffuseur, desserrez les 3 boulons qui le fixent à la console de moteur. Vous exposerez ainsi le rotor et le joint de l'ouïe d'aspiration. Enlevez le joint de l'ouïe d'aspiration. Afin d'enlever le rotor, enlevez le couvercle de l'extrémité opposée du moteur et tenez l'arbre avec une clé à fourche de 7/16". L'arbre de moteur est aplati derrière l'interrupteur centrifuge, près de la tulipe d'extrémité de moteur. La clé à fourche peut être insérée dans l'arbre de derrière la surcharge de moteur. Dévissez le rotor de l'arbre

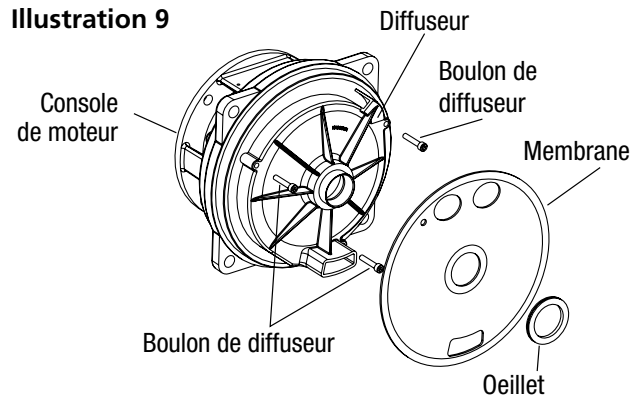


de moteur en saisissant le DE du rotor avec une main gantée et en faisant tourner dans le sens inverse des aiguilles d'une montre. Cela permettra de voir le joint d'arbre mécanique. Ce joint peut être retiré de l'arbre de moteur et inspecté. La console de moteur peut être retirée du moteur en dévissant les 4 boulons à l'arrière de la console. Pour retirer le joint d'arbre en céramique, il suffit d'appuyer légèrement sur la céramique par en arrière, et le joint tombera facilement. Inspectez, nettoyez ou remplacez les pièces au besoin.

### **C. Montage de la pompe**

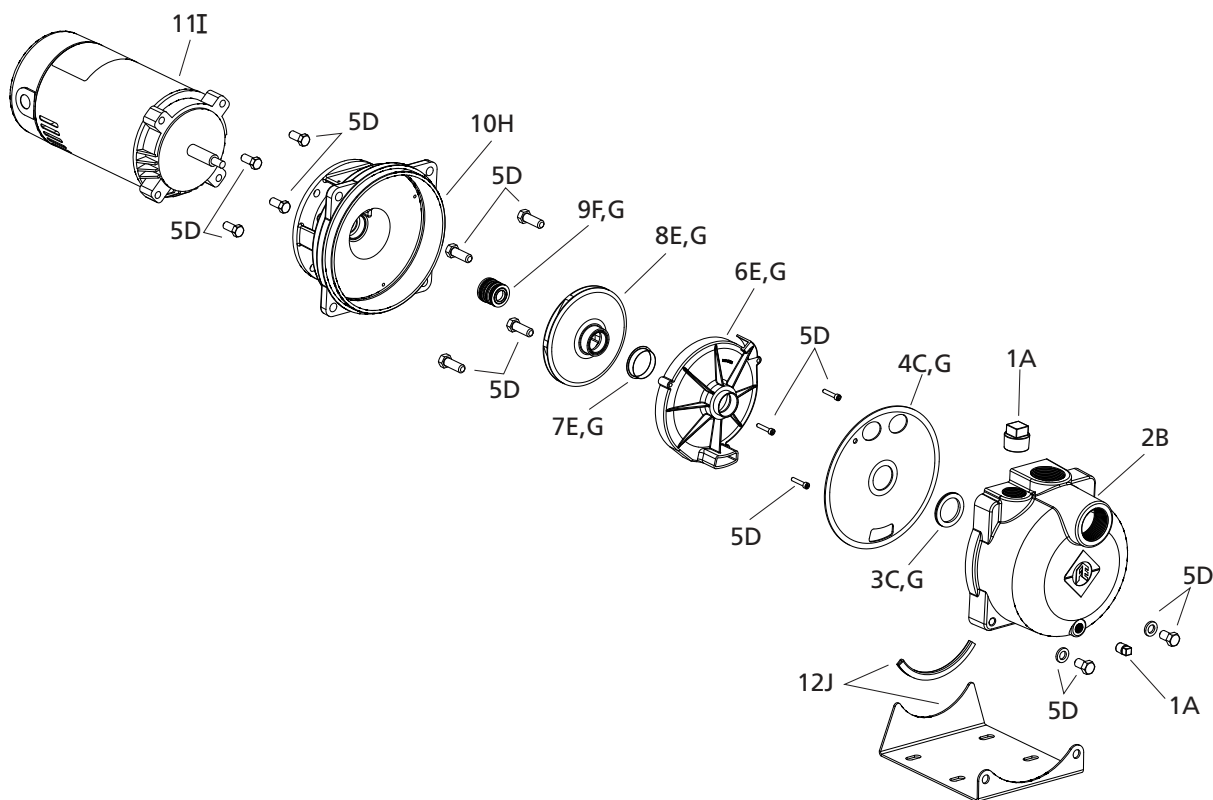
Remontez l'appareil en pressant d'abord le joint en céramique dans sa plaque d'étanchéité. Utilisez de l'alcool à friction en tant que lubrifiant. Il ne faut pas utiliser une huile, de la vaseline ou de la graisse, puisque ces substances endommageront les surfaces d'étanchéité du joint d'arbre quand le moteur est en marche. Ensuite, fixez la console de moteur au moteur à l'aide des quatre boulons. Serrez les boulons en suivant un ordre en diagonale pour assurer un bon ajustement. Placez le joint d'arbre sur l'arbre de moteur et installez ensuite le rotor et le joint de l'ouïe d'aspiration. Le diffuseur est tenu en place par trois boulons. Ces boulons ne peuvent être installés que lorsque le diffuseur est correctement placé ( illustration 9 ). Positionnez la membrane sur l'ouïe d'aspiration du diffuseur ( tel que montré dans l'illustration 9 ). L'oeillet glissera par-dessus l'ouïe d'aspiration du diffuseur sur le dessus de la membrane. Insérez l'ensemble du moteur dans le corps de pompe et fixez-le à l'aide de 4 boulons. Lorsque vous ajustez le corps de pompe contre la console de moteur, la membrane doit être coincée entre ces deux éléments sur le pourtour complet. De cette façon, la membrane peut servir en tant que joint d'eau entre les deux pièces de fonte. Si la membrane n'est pas bien positionnée, il y aura présence de fuites dès que le corps de pompe sera rempli d'eau. Serrez tous les boulons à 185 pouces-livres en suivant un ordre en diagonale pour assurer un positionnement solide de tous les éléments.

**Illustration 9**



# PIÈCES POUR POMPE D'ARROSAGE AUTO-AMORÇANTE DE TURF BOSS

## ANNEXE I



N° d'illustration	Description	Identificateur d'ensemble*	Numéros de commande des pièces de rechange par n° de modèle		
			TB1CI	TB15CI	TB2CI
1	Ensembles de bouchons	A	305390901		
2	Corps de pompe	B	305391901		
3	Oeillet	C	305392901		
		G	305396901	305396902	305396903
4	Membrane	C	305392901		
		G	305396901	305396902	305396903
5	Trousse d'attaches*	D	305393901		
6	Diffuseur	E	305394901	305394902	305394903
		G	305396901	305396902	305396903
7	Collerette d'étanchéité	E	305394901	305394902	305394903
		G	305396901	305396902	305396903
8	Rotor, thermoplastique	E	305394901	305394902	305394903
		G	305396901	305396902	305396903
	Rotor, acier inoxydable	E	305394904	305394905	305394906
		G	305396904	305396905	305396906
9	Joint mécanique	F	305395901		
		G	305396901	305396902	305396903
10	Console de moteur	H	305397901		
11	Motuer, monophasé	I	305398901	305398902	305398903
	Motuer, trois phases	I	305398904	305398905	305398906
12	Assemblage de base	J	305399901		

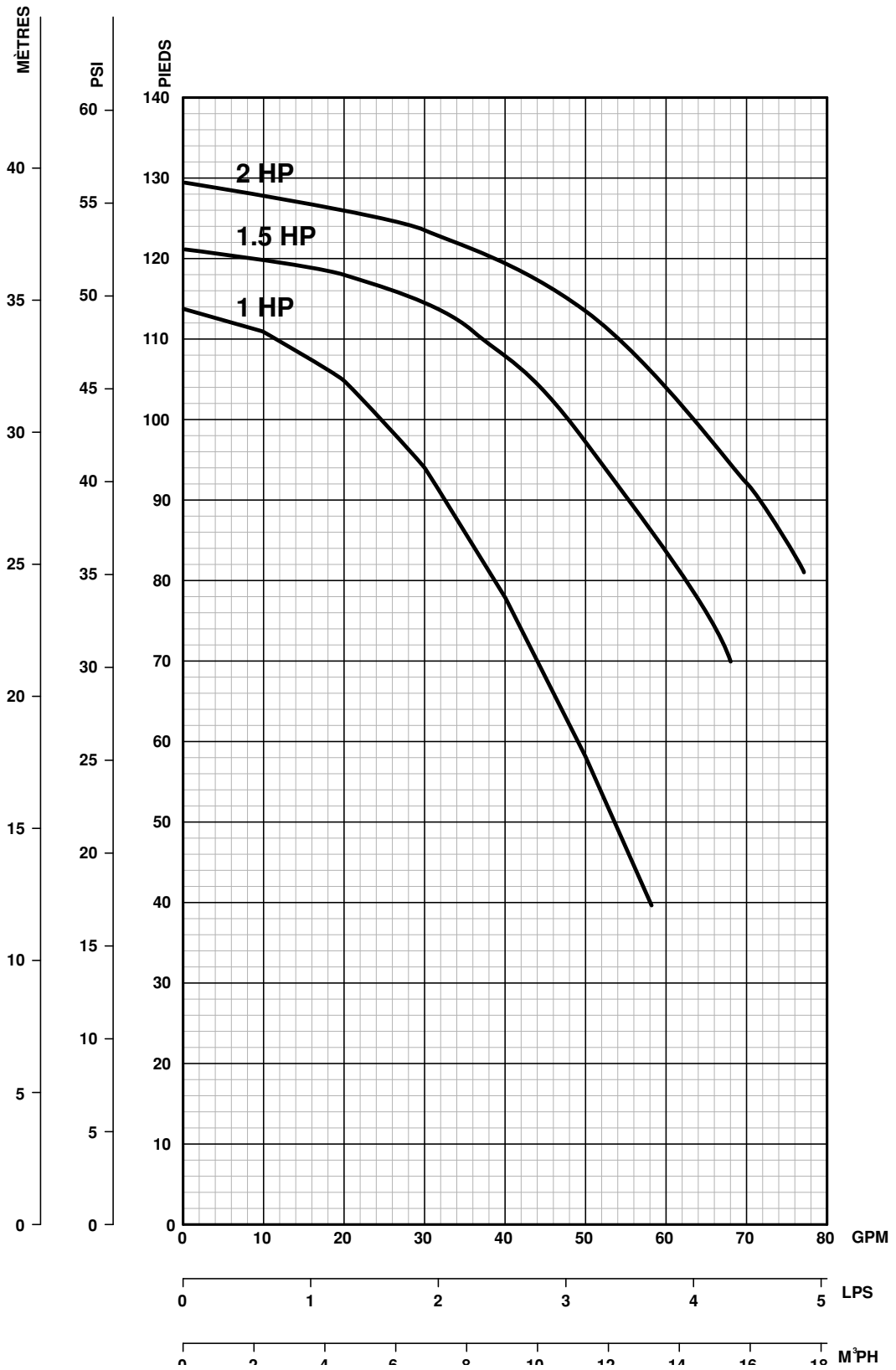
\* Les articles portant le même identificateur d'ensemble sont vendus dans un même emballage.

\*\* La trousse d'attaches (5D) contient un ensemble complet du matériel requis pour assembler la pompe Turf Boss. Pour mieux vous servir, toutes les autres trouses de réparation contiennent toutes les attaches requises pour le montage des pièces qu'elles contiennent.

## ANNEXE II : DÉPANNAGE

Problem	Possible Cause	Remedy
Le débit d'eau en provenance de la pompe est insuffisant ou nul	1. La pompe n'est pas entièrement remplie d'eau.	1. Arrêtez la pompe, remplissez-la d'eau, assurez-vous de l'absence d'entrées d'air en vérifiant tous les raccords de la tuyauterie et essayez de nouveau.
Pression d'eau trop basse	1. Le moteur ne fonctionne pas à pleine puissance 2. Le rotor est partiellement obstrué. 3. Il y a une entrée d'air dans la conduite d'aspiration.	1. Assurez-vous que la tension est correcte et que les connexions sont en bon état. 2. Inspectez le rotor à la recherche de roches ou de débris. Consultez les instructions de démontage pour accéder au rotor. 3. Inspectez les raccords de la conduite d'aspiration.
Capacité faible	1. Le niveau de l'eau est plus bas que 8 m ( 25 pi ). 2. La conduite de la source d'eau vers la pompe est trop longue. 3. Le rotor est obstrué. 4. La conduite entre la pompe et l'eau est partiellement obstruée.	1. La pompe ne peut pas amener de l'eau d'une profondeur dépassant 8 m ( 25 pi ). Consultez votre distributeur de pompes Franklin. 2. Utilisez un tuyau d'un diamètre plus élevé. 3. Inspectez le rotor. Consultez les instructions de démontage ci-haut. 4. Inspectez la tuyauterie.
Le moteur surchauffe	1. La tension n'est pas la bonne ou les connexions sont fautives. 2. L'aération au moteur est insuffisante.	1. Assurez-vous que la tension correspond bien à celle inscrite sur la plaque signalétique du moteur. Vérifiez l'état des connexions du câblage. 2. Assurez-vous que le moteur est propre et bien aéré.
Le moteur ne démarre pas	1. Des interrupteurs ouverts, des fusibles grillés ou des connexions en mauvais état. 2. Il y a présence de connexions fautives au moteur.	1. Inspectez les interrupteurs, fusibles et connexions. 2. Assurez-vous du bon état des connexions.
Trop d'air dans la tuyauterie	1. Il y a présence d'entrées d'air dans la tuyauterie. 2. Le niveau d'eau tombe plus bas que l'extrémité de la conduite.	1. Inspectez les raccords. 2. La puissance de la pompe dépasse la capacité du puits. Serrez la vanne de réglage graduellement jusqu'à ce que le fonctionnement soit approprié.
Bruits à l'intérieur de la pompe ( cavitation )	1. La pompe fonctionne au-dessus de sa capacité ( le NPSH requis dépasse le NPSH disponible ) 2. Le diamètre de la conduite d'aspiration est trop petit ou la conduite est trop longue. 3. L'extrémité de la conduite d'aspiration est enterrée dans la boue ou le sable.	1. Consultez votre distributeur de pompes Franklin. 2. Utilisez un tuyau d'un diamètre plus élevé. 3. Soulevez l'extrémité de la conduite d'aspiration ou nettoyez le puits.

## ANNEXE III - COURBE DE RENDEMENT





## ANNEXE IV - TABLEAUX DES PERTES DE CHARGE

**1"**

Tuyau série 40 1,049 po D. int. / tube en cuivre de type L 1,025 po D. int.					
Gallons/minute	Vitesse pi/s	Perte de charge en pieds/30 m (100 pi) de tuyau		Vitesse pi/s	pi / 30 m (100 pi) de tuyau - Perte de charge C=130
		Acier C=100	PVC C=140		
2.0	0.74	0.60	0.32	.078	0.41
3.0	1.11	1.26	0.68	1.17	0.87
4.0	1.49	2.14	1.15	1.56	1.48
5.0	1.86	3.24	1.75	1.95	2.23
6.0	2.23	4.54	2.45	2.34	3.13
8.0	2.97	7.73	4.16	3.11	5.35
10	3.71	11.7	6.31	3.89	8.08
12	4.46	16.4	8.85	4.67	11.3
14	5.20	21.8	11.8	5.45	15.0
16	5.94	27.9	15.1	6.22	19.2
18	6.68	34.7	18.7	7.00	23.9
20	7.43	42.1	22.8	7.78	29.0
25	9.29	63.6	34.6	9.74	43.9
30	11.1	89.2	48.1	11.7	61.4
40	14.9	152	82.0	15.5	105

**1.5"**

Tuyau série 40 1,610 po D. int. / tube en cuivre de type L 1,505 po D. int.					
Gallons/minute	Vitesse pi/s	Perte de charge en pieds/30 m (100 pi) de tuyau		Vitesse pi/s	pi / 30 m (100 pi) de tuyau - Perte de charge C=130
		Acier C=100	PVC C=140		
6.0	0.95	0.57	0.31	1.08	0.49
8.0	1.26	0.96	0.52	1.44	0.82
10	1.58	1.45	0.79	1.80	1.24
12	1.89	2.04	1.10	2.16	1.73
15	2.36	2.95	1.59	2.70	2.62
20	3.15	5.24	2.83	3.60	4.46
25	3.94	7.90	4.26	4.51	6.74
30	4.73	11.1	6.00	5.41	9.44
40	6.30	18.9	10.2	7.21	16.1
50	7.88	28.5	15.4	9.01	24.3
60	9.46	40.0	21.6	10.8	34.1
70	11.0	53.2	28.7	12.6	45.5
80	12.6	68.1	36.8	14.4	58.1
90	14.2	84.7	45.7	16.2	72.1
100	15.8	103	56.6	18.0	87.7

**2.5"**

Tuyau série 40 2,469 po D. int. / tube en cuivre de type L 2,465 po D. int.					
Gallons/minute	Vitesse pi/s	Perte de charge en pieds/30 m (100 pi) de tuyau		Vitesse pi/s	pi / 30 m (100 pi) de tuyau - Perte de charge C=130
		Acier C=100	PVC C=140		
20	1.21	0.66	0.35	1.34	0.40
30	2.01	1.39	0.75	2.02	0.85
40	2.68	2.36	1.27	2.69	1.46
50	3.35	3.56	1.92	3.36	2.20
60	4.02	4.99	2.69	4.03	3.08
70	4.69	6.64	3.58	4.70	4.11
80	5.36	8.50	4.59	5.37	5.25
90	6.03	10.6	5.72	6.04	6.52
100	6.70	12.8	6.90	6.71	7.94
110	7.37	15.3	8.22	7.38	9.44
130	8.71	20.9	11.3	8.73	12.9
150	10.0	27.3	14.7	10.1	16.8
200	13.4	46.3	25.0	13.4	28.6
250	16.8	81.7	44.1	16.8	43.4
300	20.1	98.1	52.9	20.1	61.1

**Remarque :** Le tableau montre la perte de charge par 30 m (100 pi) de tuyau. Pour convertir le chiffre en perte de charge par pied, déplacez le signe décimal de deux chiffres vers la gauche.

**1 1/4"**

Tuyau série 40 1,380 po D. int. / tube en cuivre de type L 1,265 po D. int.					
Gallons/minute	Vitesse pi/s	Perte de charge en pieds/30 m (100 pi) de tuyau		Vitesse pi/s	pi / 30 m (100 pi) de tuyau - Perte de charge C=130
		Acier C=100	PVC C=140		
4.0	0.86	0.56	0.30	1.02	0.52
6.0	1.29	1.20	0.65	1.53	1.12
8.0	1.72	2.04	1.10	2.04	1.92
10	2.15	3.08	1.67	2.55	2.90
12	2.57	4.31	2.33	3.06	4.04
14	2.00	5.73	3.10	3.57	5.35
16	3.43	7.34	3.96	4.08	6.85
18	3.86	9.13	4.93	4.59	8.52
20	4.29	11.1	6.00	5.10	10.4
25	5.36	16.8	9.06	6.38	15.7
30	6.43	23.5	12.7	7.65	22.1
40	8.58	40.0	21.6	10.2	37.6
50	10.7	60.4	32.6	12.8	56.7
60	12.9	84.7	45.6	15.3	79.5
80	17.2	144	77.9	20.4	136

**2"**

Tuyau série 40 2,067 po D. int. / tube en cuivre de type L 1,985 po D. int.					
Gallons/minute	Vitesse pi/s	Perte de charge en pieds/30 m (100 pi) de tuyau		Vitesse pi/s	pi / 30 m (100 pi) de tuyau - Perte de charge C=130
		Acier C=100	PVC C=140		
10	0.96	0.43	0.23	1.07	0.35
15	1.44	0.92	0.50	1.60	.075
20	1.91	1.55	0.84	2.13	1.24
25	2.39	2.35	1.27	2.66	1.87
30	2.87	3.29	1.78	3.19	2.62
40	3.82	5.60	3.03	4.26	4.48
50	4.78	8.46	4.57	5.32	6.76
60	5.74	11.9	6.44	6.39	9.47
70	6.69	15.8	8.53	7.45	12.6
80	7.65	20.2	10.9	8.52	16.2
90	8.61	25.1	13.6	9.58	20.0
100	9.56	30.5	16.5	10.7	24.4
120	11.5	42.7	23.1	12.8	34.1
150	14.3	64.7	35.0	16.0	51.6
200	19.1	110	59.4	21.3	87.8





## **GARANTIE LIMITÉE\***

LA PRÉSENTE GARANTIE ÉTABLIT LA SEULE OBLIGATION DE LA SOCIÉTÉ ET LE RECOURS EXCLUSIF DE L'ACHETEUR EN CE QUI A TRAIT À UN PRODUIT DÉFECTUEUX.

Franklin Electric Company, Inc. et ses filiales (ci-après « la Société ») garantissent que les produits accompagnés de la présente garantie sont exempts de défauts de matériel et de main-d'œuvre liés à la Société.

La Société a le droit d'inspecter tout produit renvoyé sous garantie pour confirmer que ledit produit contient un défaut de matériel ou de main-d'œuvre. La Société aura le droit exclusif de choisir de réparer ou de remplacer les équipements, pièces ou composants défectueux.

L'acheteur devra renvoyer le produit au point d'achat pour qu'il soit pris en compte par la garantie. Sous réserve des conditions et modalités énumérées ci-dessous, la Société réparera ou remplacera toute partie de ce produit qui s'avère défectueuse pour des raisons de matériel ou de main-d'œuvre liés à la Société.

La Société considérera les produits pour garantie pendant 12 mois à compter de la date d'installation ou pendant 24 mois à compter de la date de fabrication, en fonction duquel se passe en premier.

ENAUUNCAS la Société ne sera responsable du coût de la main-d'œuvre extérieure ou d'autres dépenses encourues par tout client afin d'enlever et/ou d'installer tout produit, partie ou composant de ce dernier.

La Société se réserve le droit de modifier ou d'améliorer ses produits ou toute partie de ceux-ci sans que cela n'entraîne l'obligation d'apporter ces modifications ou améliorations à des produits préalablement vendus.

LA PRÉSENTE GARANTIE NE S'APPLIQUE PAS À des produits endommagés par des catastrophes naturelles, dont la foudre, l'usure normale, le service d'entretien normal et les pièces utilisées en relation avec ledit service, ou toute autre circonstance échappant au contrôle de la Société.

LA PRÉSENTE GARANTIE SERA ANNULÉE IMMÉDIATEMENT si l'une ou l'autre des conditions suivantes est présente :

1. Le produit est utilisé à des fins autres que celles pour lesquelles il a été conçu et fabriqué;
2. Le produit n'a pas été installé conformément aux codes et arrêtés applicables et aux bonnes pratiques commerciales;
3. Le produit n'a pas été installé par un Entrepreneur Certifié de Franklin ou Programme pour installateurs clés ; ou
4. Le produit a été endommagé pour cause de négligence, d'abus, d'accident, de mauvaise application, d'altération, de procédures d'installation, d'opération, d'entretien ou d'entreposage non conformes, ou pour cause d'utilisation excédant les maximums recommandés tel que stipulé dans les instructions concernant le produit.

NI LE VENDEUR NI LA SOCIÉTÉ N'ASSUMERONT DE RESPONSABILITÉ POUR TOUTE BLESSURE, TOUTE PERTE OU TOUT DOMMAGE, DIRECT, ACCESSOIRE OU CONSÉCUTIF (Y COMPRIS, MAIS SANS S'Y LIMITER, LES DOMMAGES ACCESSOIRES OU CONSÉCUTIFS POUR PERTE DE BÉNÉFICES, PERTE DE VENTES, BLESSURES À LA PERSONNE OU DÉGÂTS AUX BIENS, OU TOUTE AUTRE PERTE ACCESSOIRE OU CONSÉCUTIVE), DÉCOULANT DE L'UTILISATION OU DE L'INCAPACITÉ D'UTILISER LE PRODUIT, ET L'ACHETEUR ADMET QU'AUCUN AUTRE RECOURS NE SERA DISPONIBLE À CET EFFET.

LA GARANTIE ET LE RECOURS DÉCRITS DANS LA PRÉSENTE GARANTIE LIMITÉE SONT UNE GARANTIE ET UN RECOURS EXCLUSIFS, EN LIEU ET PLACE DE TOUT AUTRE GARANTIE OU RECOURS, EXPLICITE OU IMPLICITE, CELA EXCLUANT EXPRESSÉMENT PAR LES PRÉSENTES D'AUTRES GARANTIES ET RECOURS, Y COMPRIS, MAIS SANS S'Y LIMITER, TOUTE GARANTIE IMPLICITE DE MARCHANDISAGE OU D'ADÉQUATION À UNE FIN PARTICULIÈRE, DANS LA MESURE OÙ L'UNE OU L'AUTRE S'APPLIQUE À UN PRODUIT ET SA DURÉE SERA LIMITÉE AUX PÉRIODES DES GARANTIES EXPRESSES INDIQUÉES PLUS HAUT.

CLAUSE DE NON-GARANTIE : Toute déclaration orale au sujet du produit faite par le vendeur, la Société, les représentants ou toute autre partie, ne constitue pas une garantie, ne sera pas prise comme référence par l'acheteur et ne fait pas partie du contrat de vente. La seule obligation du vendeur et de la Société ainsi que le recours exclusif de l'acheteur porteront sur le remplacement et/ou la réparation par la Société du produit tel que décrit plus haut. Avant d'utiliser le produit, l'utilisateur devra déterminer l'adéquation dudit produit à l'usage prévu, et l'utilisateur assumera tous les risques et responsabilités afférents, quels qu'ils soient.

Certains États et pays n'autorisent pas l'exclusion ou la restriction de la durée d'une garantie implicite ou l'exclusion ou la restriction des dommages accessoires ou consécutifs. Par conséquent, les exclusions ou restrictions susmentionnées pourraient ne pas s'appliquer dans votre cas. La présente garantie vous accorde des droits légaux spécifiques et il se peut que vous puissiez bénéficier d'autres droits qui varient d'un État à l'autre et d'un pays à l'autre.

\*Communiquez avec le service de l'exportation de Franklin Electric Co., Inc. pour obtenir des informations concernant la garantie internationale.



106258101  
Rev. 4  
01.13



**Franklin Electric**

400 E. Spring St., Bluffton, IN 46714  
Tel: 260-824-2900 Fax: 260-824-2909  
www.franklin-electric.com