



293 Wright St., Delavan, WI 53115

Phone: 1-800-468-7867

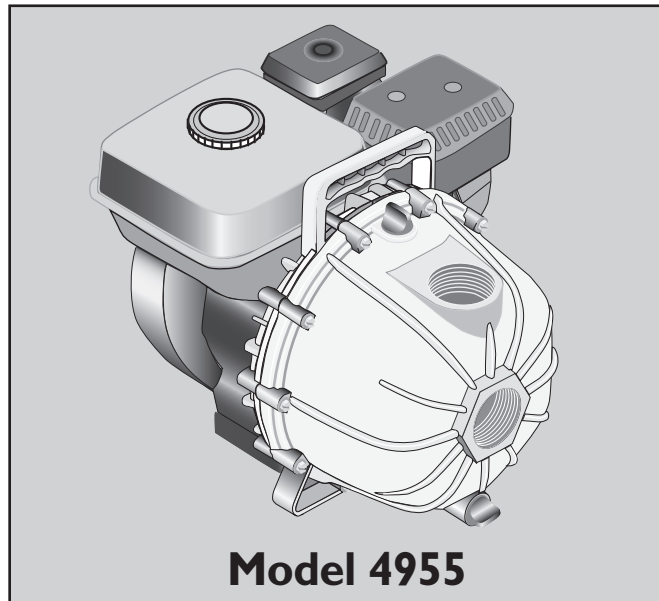
1-800-546-7867

Fax: 1-800-390-5351

OWNER'S MANUAL
Engine Drive Self-Priming Pump

NOTICE D'UTILISATION
**Motopompe à amorçage
automatique**

MANUAL DEL USUARIO
**Bomba autocebante
accionada a motor**



Installation/Operation/Parts

*For further operating, installation,
or maintenance assistance:*

Call 1-800-468-7867

English Pages 2-8

Installation/Fonctionnement/Pièces

*Pour plus de renseignements
concernant l'utilisation,
l'installation ou l'entretien,*

Composer le 1 (800) 468-7867

Français Pages 9-15

Instalación/Operación/Piezas

*Para mayor información sobre el
funcionamiento, instalación o
mantenimiento de la bomba:*

Llame al 1-800-468-7867

Español Páginas 16-22

IMPORTANT

For best possible performance and continuous, satisfactory operation, read these instructions before installing your new pump. Should service be required, this manual can be a valuable guide, it should be kept near the installation for ready reference.

INSTALLATION

LOCATION

Place unit as close to water source as possible to minimize suction lift, obtain the best pumping performance, and aid in priming. A typical portable installation is shown in Figure 1.

For permanent installation, mount unit on a foundation that will support the weight of pump and engine and also provide stability while the pump is running. For most permanent installations, it is advisable to bolt unit directly to foundation.

NOTICE: Settling and/or shifting during operation can cause piping to place excessive strain on the pump and may damage pump case. Set pump on hard level surface.

SUCTION CONNECTION

Connect either rigid pipe or flexible suction hose to pump suction as shown in Figure 1. If hose is selected, hose must be rated to hold the suction pressure and prevent collapse while the pump is running.

Make the suction line a continuous rise from the water source to the pump. High spots can trap air and also make priming difficult. Make sure all connections are tight and free of air leaks.

WARNING

Hazardous Suction.

Can trap persons against suction inlet.

Always use strainer on suction hose to prevent entrapment.

NOTICE: Suction pipe or hose must be at least as large as the pump suction inlet in order for the pump to operate properly.

Minimum depth for the suction inlet is determined by the diameter of the suction line. See Figure 1.

NOTICE: Use a suction screen to keep debris out of pump.

DISCHARGE CONNECTIONS

Your pump is equipped with a single port discharge. Select the appropriate size for the application. Install a "T" as shown to allow priming the pump without disconnecting the piping.

OPERATION

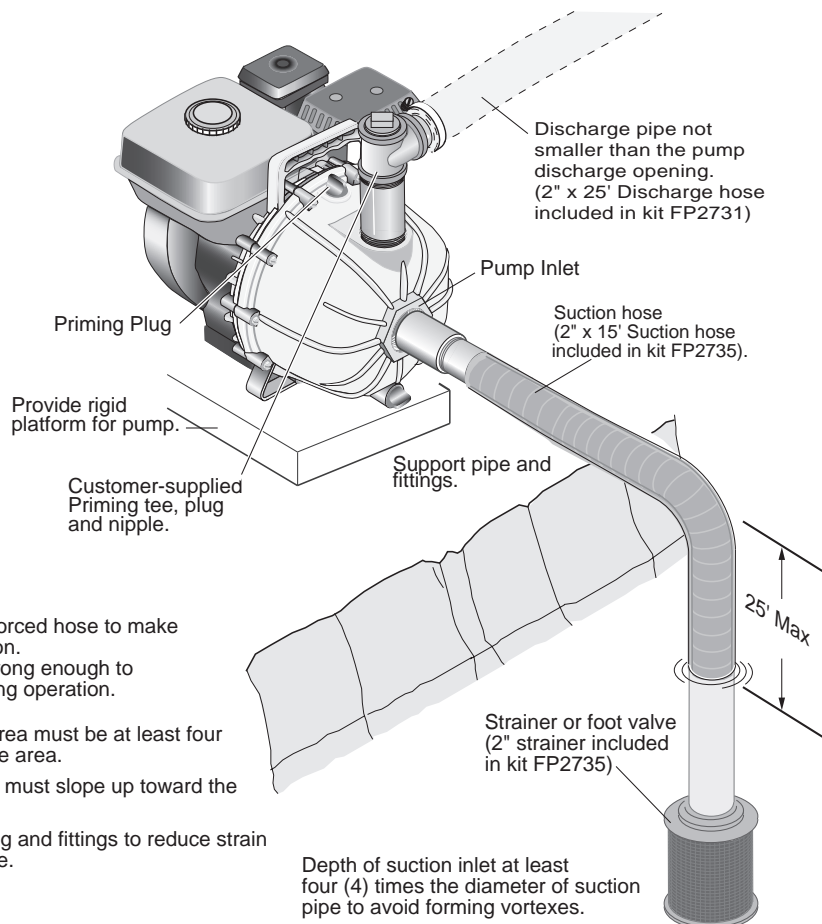
NOTICE: Do not start or run pump dry or damage to the mechanical seal will result.

NOTICE: Add engine oil before startup. Refer to the engine operation manual before startup.

PRIMING THE PUMP

A self priming pump only needs to be manually primed at the first start-up. Once primed, under normal conditions the pump will reprime automatically at each subsequent start-up. If the pump is used in portable applications and the water has been drained from the pump case, reprime before start-up

To prime, remove plug from top discharge outlet and fill pump with water. Replace plug and start pump. The pump will require a few minutes to evacuate air from the suction line. After several minutes of operation, pump will be fully primed and pumping water. Priming time will vary depending on length and diameter of suction line.



Use pipe or reinforced hose to make suction connection. Hose must be strong enough to not collapse during operation.

Suction screen area must be at least four times suction pipe area.

All suction piping must slope up toward the pump inlet.

Support the piping and fittings to reduce strain on the pump case.

Figure 1 – Typical Installation

RUNNING THE ENGINE

Refer to engine operation part of this manual for starting and operating instructions.

Pump performance varies depending on engine R.P.M. Refer to engine operation to adjust engine speed.

MAINTENANCE

PUMP LUBRICATION

Pump liquid end does not require any grease or oil for lubrication. The mechanical seal is lubricated by water when the pump is operating.

Performance Chart

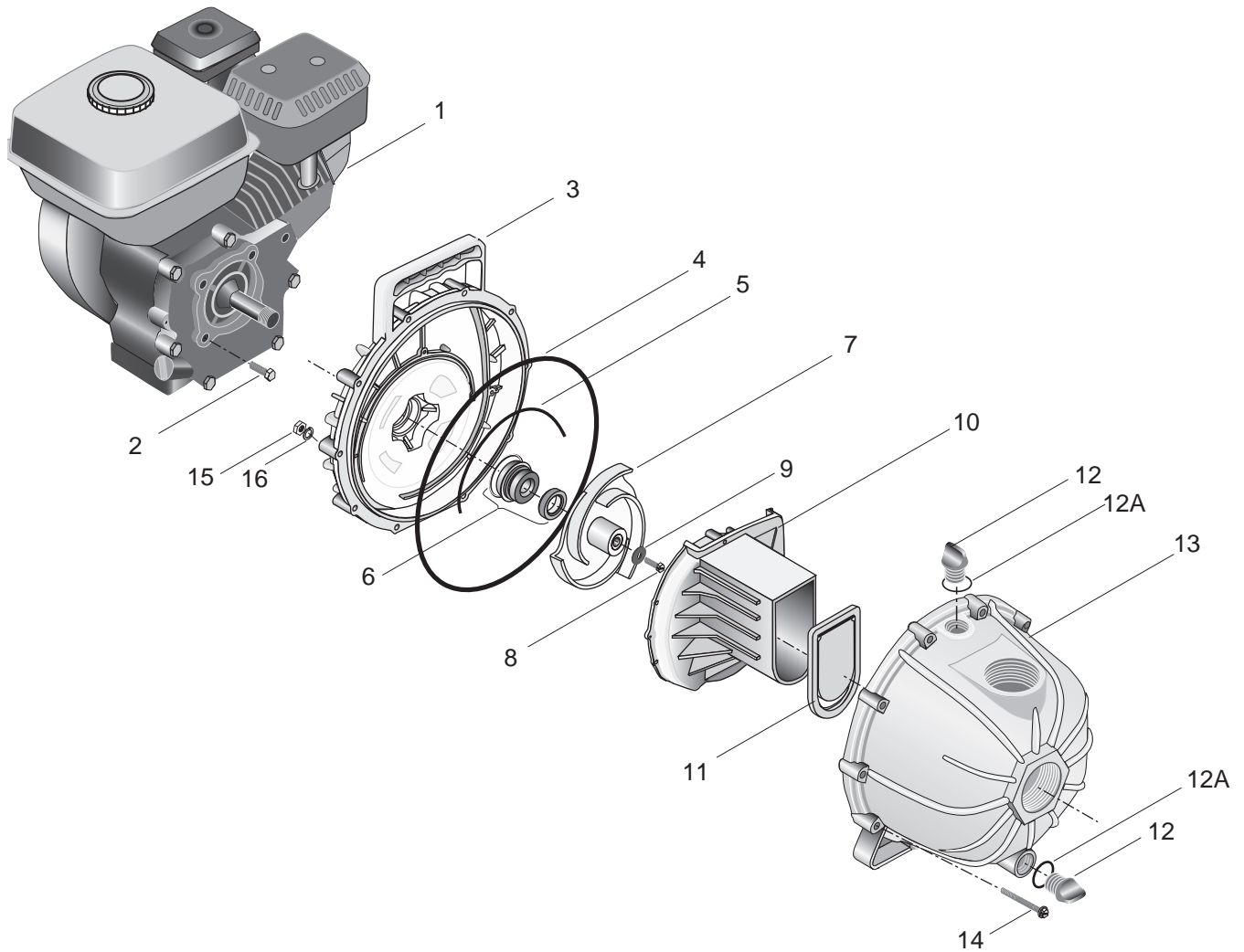
Depth to Water	Gallons per Minute at Discharge Pressure					Maximum PSI
	15 PSI	25 PSI	35 PSI	45 PSI	50 PSI	
0 ft.	141	120	95	65	50	58
5 ft.	130	110	85	55	40	55
10 ft.	121	100	75	45	25	52
15 ft.	113	90	65	30	2	50
20 ft.	105	80	55	7	–	48
25 ft.	80	60	40	2	–	45

Troubleshooting Guide

SYMPTOM	PROBABLE CAUSE															
	ENGINE				PUMP						SYSTEM					
	A	B	C	D	E	F	G	H	I	J	K	L	M	N	O	P
No water delivered					X	X	X				X	X	X			X
Not enough water delivered	X						X	X			X	X	X			X
Not enough pressure	X						X	X			X	X	X			
Engine heats excessively		X	X					X	X	X		X			X	
Abnormal noise and/or vibration				X	X		X			X		X	X	X		
Pump works for a while, then stops				X			X			X			X		X	X

CAUSE	CORRECTIVE ACTION
1. ENGINE	
A. Speed too low	Refer to engine section
B. Rotating and/or reciprocating parts drag	Refer to engine section
C. Speed too high	Maximum engine speed not to exceed engine manufacturer's recommendation.
D. Loose or broken parts	Refer to engine section
2. PUMP	
E. Not primed	Reprime, inspect suction system for air leaks, and or clack assembly.
F. Pump takes too long to prime	Check for air leaks or defective check valve.
G. Flow through pump completely or partially blocked	Locate and remove obstruction. Attach strainer.
H. Internal leakage	Check clearances between face of vanes and case. Should not exceed 1/32".
I. Rotating parts drag	Inspect. Repair.
J. Loose or broken parts	Inspect. Repair.
3. SYSTEM	
K. Pressure required by system at design flow rate exceeds pressure rating of pump	Compare pump pressure and flow rate against pump performance chart. Reduce system pressure requirement. Increase pressure capability of pump.
L. Obstruction in suction piping	Locate and remove obstruction. Attach strainer.
M. Suction lift too high	Check with gauge or measure vertical distance between water surface and center line of pump, allowing for friction loss in suction pipe. Reduce rate of flow to obtain desired lift. Refer to pump performance chart.
N. Discharge head too low	Decrease rate of flow
O. Suction inlet not immersed deep enough	Refer to "Installation"
P. Leaky suction line or connection admitting air	Repair or replace suction line. Tighten connections.

Pump Exploded View



Item	Description	Qty.	Part Number
1	Engine	1	*
2	Engine Mount Screws, 5/16-24 x .75	4	†
3	Seal Plate	1	M13906
4	O-Ring, Pump Body	1	M13910
5	Diffuser Gasket (O-Ring Segment)	1	M13918
6	Mechanical Seal	1	M13914
7	Impeller	1	M13908
8	Impeller screw, 5/16-24 x 1.25	1	U30-986
9	Rubber Washer for Impeller Screw	1	M13913
10	Diffuser	1	M13907
11	Flapper Valve	1	M13909
12	Plug	2	M13911
12A	O-Ring, Plug	2	M13912
13	Pump Housing	1	M13905
14	Screw, 1/4-20x2.5 hex Head Machine Screw	10	†
15	Nuts, 1/4-20	10	†
16	Lockwasher	10	†
•	Screw, Diffuser, #6 x 1/2 Self-Tapping	2	†
•	Screw, Diffuser, #10 x 1-1/2 Self-Tapping	1	†

• Not illustrated.

† Purchase locally.

* If needed, replace entire pump.

PUMP ENGINE OPERATION AND MAINTENANCE

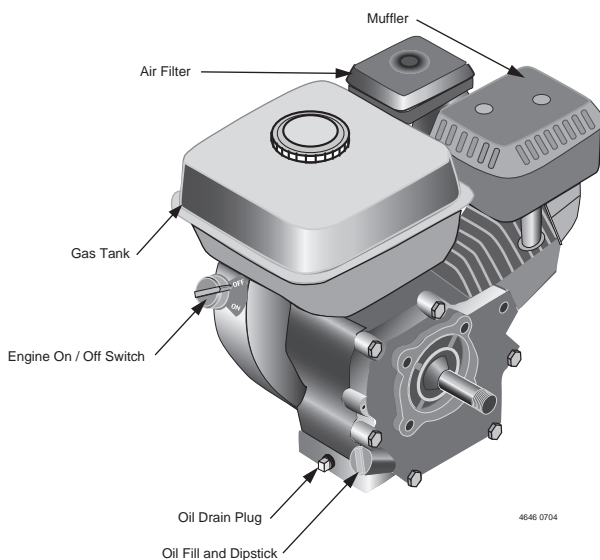
Engine Safety Precautions:

⚠️ WARNING **Fire and explosion hazard.** Gasoline can explode. Store gasoline away from the engine. Add gasoline to the engine only when the engine is off.

⚠️ WARNING **Burn hazard.** Hot surface. The engine gets very hot during operation. Do not touch the engine surfaces. Keep children away. Allow the engine to cool before moving it indoors.

⚠️ WARNING **Deadly fumes.** Carbon monoxide. Never run the engine in an enclosed space. Only use outdoors with plenty of ventilation.

Engine Operation



Before starting the engine:

Check and Fill Oil

The engine is shipped **without oil**. It must be filled before starting the engine.

Fill oil by removing the fill cap / dipstick. Add oil until the level reaches the bottom of the opening. Check the oil level by pushing the cleaned dipstick into the oil fill opening. **DO NOT SCREW IT IN.** Remove the dipstick and inspect it. Add oil if needed. Reinstall the cap / dipstick.

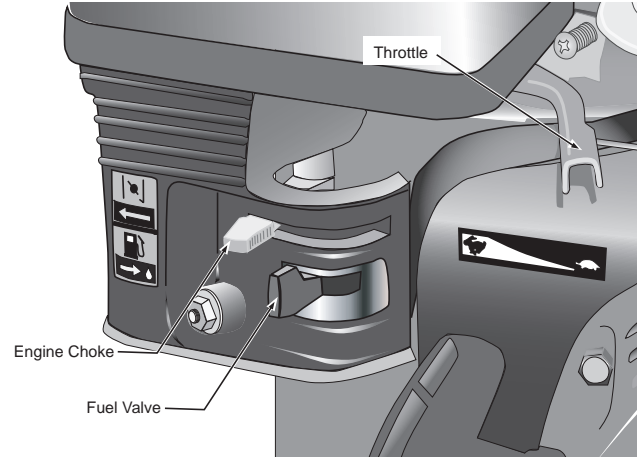
Oil capacity is 0.63 quarts (0.6 liter). 10W-30 oil should be used in normal conditions. Use 10W-40 oil if the engine is to be run in temperatures over 90°F (32°C).

Note that the engine has a low-oil monitoring system. If the oil level drops too low, the system will automatically turn off the engine.

Add Gasoline

Fill gas tank with clean fresh gasoline. This should be unleaded fuel that has an octane rating of 86 or higher.

Do not fill the tank to overflowing. Clean up any spilled gasoline before starting the engine.



Open Fuel Valve

Move the fuel valve to the right to allow fuel to the engine.

Close Choke

When starting a cold engine, move the choke control to the left (closed). As the engine warms up move it towards the right (open). A warm engine should start with the choke open.

Position Throttle

Move the throttle (speed control) slightly to the left.

Turn Engine Switch On

The engine switch controls the ignition. turn it to the ON position to start the engine. The same control is used to stop the engine.

Pull Starter

Pull the handle on the recoil starter. Adjust throttle to desired speed. Move the choke to the right as engine warms.

Stopping the Engine

Stop the engine by turning the engine switch to OFF.

Turn the fuel control to OFF (left).

Engine Maintenance

Air filter

The air filter should be checked every month for dust and dirt accumulation. Every 6 months the filter element should be removed and cleaned. Clean the foam element with detergent and warm water. Squeeze out excess water and let it dry. Before reinstalling the filter element, soak it with engine oil, and squeeze out the excess. Reinstall the filter. The engine will smoke upon startup if too much oil is left in the filter element.

Oil level

The oil level should be checked before each use.

Oil Change

The oil should be changed in the first month, and then every 6 months (or 100 hours of operation). To drain the oil, run the engine until warm. Turn off the engine, remove the oil drain plug, and let the the oil drain into a pan. Reinstall the plug and fill with oil.

NOTE: Dispose of used oil responsibly. DO NOT pour it down drains, onto the ground or put it in the trash. Most communities have collection points for used oil.

Spark Plug

The spark plug should be checked and cleaned every 6 months or 100 hours.

The sparkplug should be replaced if it is damaged, or excessively worn.

The sparkplug is type BPR6ES (NGK) or equivalent. The plug gap should be 0.030 in. (0.75 mm)

Engine Troubleshooting

If the engine won't start:

- Check that there is gas in the tank
- Make sure the fuel valve is ON and that the engine switch is ON
- Make sure there is enough oil in the engine to reset the low-oil sensor
- Check that fuel is getting to the carburetor*
- Check for spark at the sparkplug*

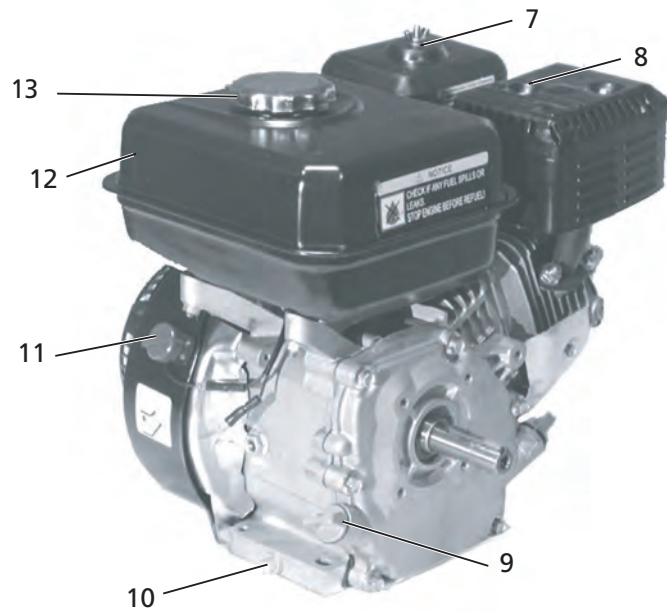
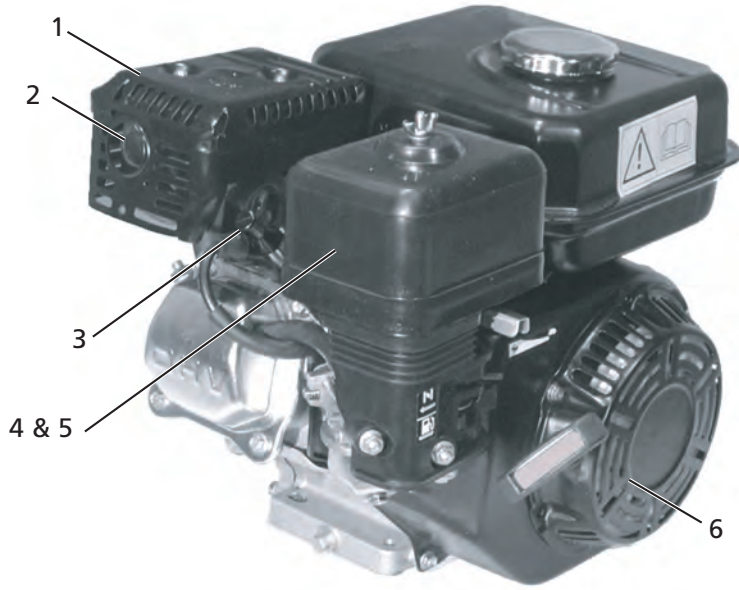
* These checks to be done by persons with small-engine experience.

Extended storage

If the pump will be stored for more than a month or two, follow the steps below.

- Drain Gasoline
- Change oil
- Squirt oil (or a chemical made for storing engines) in the spark plug hole.
- Rotate engine slowly until resistance is felt (this indicates that both valves are closed).
- Install spark plug
- Cover engine

Engine Replacement Parts



Item	Description	Qty.	Part Number
1	Muffler Cover	1	2545-0011
2	Muffler	1	2545-0010
3	Spark Plug (use NGK brand #BPR6ES)	1	*
4	Air Filter Cover	1	2545-0018
5	Air Filter Cartridge	1	2545-0001
6	Starter Assembly (includes rope, handle and recoil assembly)	1	2545-0005
7	Wing-nut for Air Filter	1	2545-0019
8	Muffler Cover Mounting Hardware	2	2545-0020
9	Oil Fill Cap	1	2545-0003
10	Oil Drain Plug and Washer	1	2545-0021
11	On / Off Switch and Cover	1	2545-0004
12	Fuel Tank	1	2545-0009
13	Fuel Tank Cap	1	2545-0002

* Purchase locally.

Simer Lifetime Warranty

SIMER warrants that the products specified in this warranty are free from defects in material or workmanship.

If within the duration of product use by the product owner, any Sewage Pump (Model 3963), or Submersible Sump Pump (Models 3995 and 3997), shall prove to be defective, it shall be repaired or replaced at SIMER's option, subject to the terms and conditions set forth below.

General Terms and Conditions

Owner must pay all labor and shipping charges necessary to replace product covered by this warranty. This warranty shall not apply to acts of God, nor shall it apply to products which, in the sole judgement of SIMER, have been subject to negligence, abuse, accident, misapplication, tampering, alteration; nor due to improper installation, operation, maintenance or storage; nor to excess of recommended maximums as set forth in the owner's manual.

Requests for service under this warranty shall be made by returning the product to the Retail outlet or to SIMER as soon as possible after the discovery of any alleged defect. SIMER will subsequently take corrective action as promptly as reasonably possible.

This warranty sets forth SIMER's sole obligation and purchaser's exclusive remedy for defective products.

SIMER SHALL NOT BE RESPONSIBLE FOR ANY CONSEQUENTIAL, INCIDENTAL, OR CONTINGENT DAMAGES WHATSOEVER. THE FOREGOING WARRANTY IS EXCLUSIVE AND IN LIEU OF ALL OTHER EXPRESS WARRANTIES, IMPLIED WARRANTIES, INCLUDING BUT NOT LIMITED TO THE IMPLIED WARRANTIES OF MERCHANTABILITY AND FITNESS FOR A PARTICULAR PURPOSE.

Some states do not allow the exclusion or limitation of incidental or consequential damages or limitation on how long an implied warranty lasts, so the above limitations or exclusions may not apply to you. Although this warranty identified specific remedies you may also have other rights and remedies.

SIMER • 293 Wright St. • Delavan, WI U.S.A. 53115
Phone: 1-800-468-7867 / 1-800-546-7867 • Fax: 1-800-390-5351
E-Mail: info@simerpumps.com • Web: <http://www.simerpumps.com>

ENGINE

Refer to engine manufacturer's operating manual for complete maintenance and warranty.

IMPORTANT

Pour obtenir le meilleur rendement possible et un fonctionnement permanent et satisfaisant, lire ces instructions avant d'installer cette pompe neuve. Si un entretien s'impose, cette Notice représente un guide précieux et elle doit être gardée près de l'installation de façon à s'y reporter ultérieurement.

INSTALLATION

EMPLACEMENT

Placer la motopompe aussi près que possible d'une source d'eau de façon à réduire la hauteur géométrique d'aspiration et obtenir les meilleurs rendements de pompage et pour faciliter l'amorçage. Une installation portative typique est illustrée à la figure 1.

Pour une installation permanente, monter la motopompe sur une fondation qui pourra supporter le poids de la pompe et du moteur et qui offrira également une surface stable pendant le fonctionnement de la pompe. Dans le cas d'une installation permanente, il est conseillé de boulonner la motopompe directement sur les fondations.

NOTA : Tout déplacement de la motopompe pendant son fonctionnement risque d'exercer des contraintes excessives sur la motopompe, ce qui risque d'endommager le corps de la pompe. La pompe doit être placée sur une surface plane et dure.

RACCORDEMENT DE L'ASPIRATION

Raccorder soit un tuyau rigide, soit un tuyau souple sur l'aspiration de la pompe, comme il est illustré à la figure 1. Si l'on choisit un tuyau souple, il devra être suffisamment solide pour supporter les pressions d'aspiration et ne pas s'affaisser pendant que la pompe fonctionne.

La conduite d'aspiration montante devra être une conduite continue à partir de la source d'eau jusqu'à la pompe. Les points hauts risquent d'emprisonner l'air et de rendre l'amorçage difficile. S'assurer que tous les raccords sont bien serrés et qu'ils ne fuient pas.

NOTA : Pour que la pompe puisse fonctionner correctement, le diamètre du tuyau d'aspiration souple ou rigide doit être au moins aussi large que l'admission de l'aspiration de la pompe.

La profondeur minimum de l'admission de l'aspiration est déterminée d'après le diamètre de la conduite d'aspiration. Voir la figure 1.

NOTA : Poser une crépine en bas de la conduite d'aspiration pour empêcher les débris de pénétrer dans la pompe.

RACCORDEMENTS DE REFOULEMENT

La pompe est équipée d'un seul orifice de refoulement. Choisir la dimension appropriée en fonction de l'utilisation. Poser un « té » comme il est illustré pour pouvoir amorcer la pompe sans avoir à débrancher la tuyauterie.

FONCTIONNEMENT

NOTA : Ne pas démarrer la pompe à sec et ne pas la faire fonctionner à sec, sinon le joint mécanique sera endommagé.

NOTA : Mettre de l'huile dans le moteur avant de le démarrer. Avant de démarrer le moteur, se reporter à sa Notice d'utilisation.

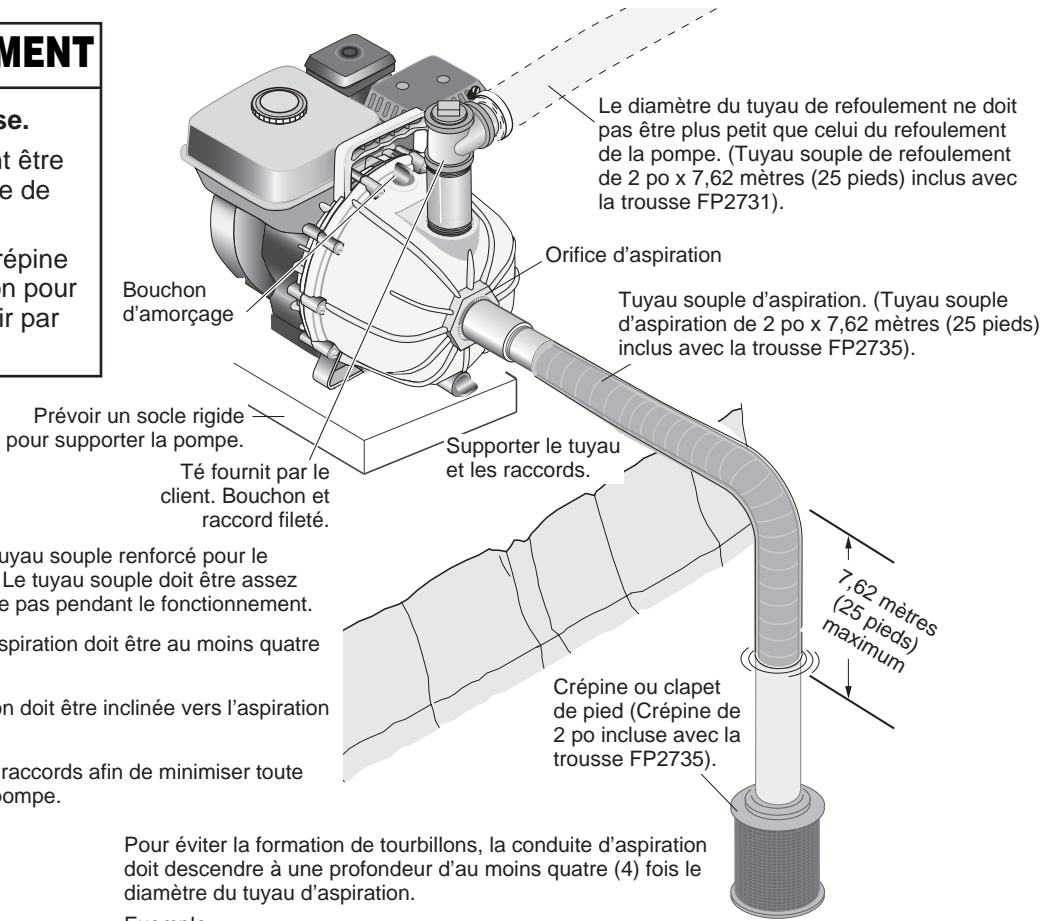
AMORÇAGE DE LA POMPE

Une pompe à amorçage automatique n'a besoin d'être manuellement amorcée que lors de la première mise en service. Une fois amorcée, et dans des conditions normales, la pompe se réamorcera automatiquement à chaque démarrage. Si la pompe est utilisée en tant que pompe portative et que l'eau a été vidée du carter de la pompe, la pompe devra être réamorcée avant de la remettre en service.

Pour l'amorçage, déposer le bouchon de l'orifice de refoulement, puis remplir le corps de la pompe avec de l'eau. Reposer ensuite le bouchon, puis démarrer la pompe. Il lui faudra quelques minutes pour évacuer l'air de la conduite d'aspiration. Après quelques minutes de fonctionnement, la pompe sera complètement amorcée et débitera de l'eau. Le temps nécessaire pour qu'elle s'amorce dépendra de la longueur et du diamètre de la conduite d'aspiration.

⚠ AVERTISSEMENT

Aspiration dangereuse.
Les personnes peuvent être retenues contre l'entrée de l'aspiration.
Toujours utiliser une crépine ou un tuyau d'aspiration pour éviter de se faire retenir par l'aspiration.



Prévoir un socle rigide pour supporter la pompe.
Té fournit par le client. Bouchon et raccord fileté.

Utiliser un tuyau rigide ou un tuyau souple renforcé pour le branchement sur l'aspiration. Le tuyau souple doit être assez rigide pour qu'il ne se déforme pas pendant le fonctionnement.

Le diamètre de la crépine d'aspiration doit être au moins quatre fois celui du tuyau.

Toute la tuyauterie d'aspiration doit être inclinée vers l'aspiration de la pompe.

Supporter la tuyauterie et les raccords afin de minimiser toute contrainte sur le corps de la pompe.

Pour éviter la formation de tourbillons, la conduite d'aspiration doit descendre à une profondeur d'au moins quatre (4) fois le diamètre du tuyau d'aspiration.

Exemple :
Tuyau de 2 po x 4 = profondeur minimale de 20 cm (8 po).

Figure 1 – Installation type

Français

FONCTIONNEMENT DU MOTEUR

Pour les instructions de démarrage et de fonctionnement, se reporter à la rubrique « Fonctionnement du moteur » de cette Notice.

Les débits de la pompe varieront en fonction du régime du moteur. Se reporte à la rubrique « Fonctionnement du moteur » pour régler le régime du moteur.

ENTRETIEN

GRAISSAGE DE LA POMPE

La pompe ne nécessite aucune lubrification, par graisse ou par huile. Le joint mécanique est lubrifié par l'eau pendant que la pompe fonctionne.

Tableau de rendement

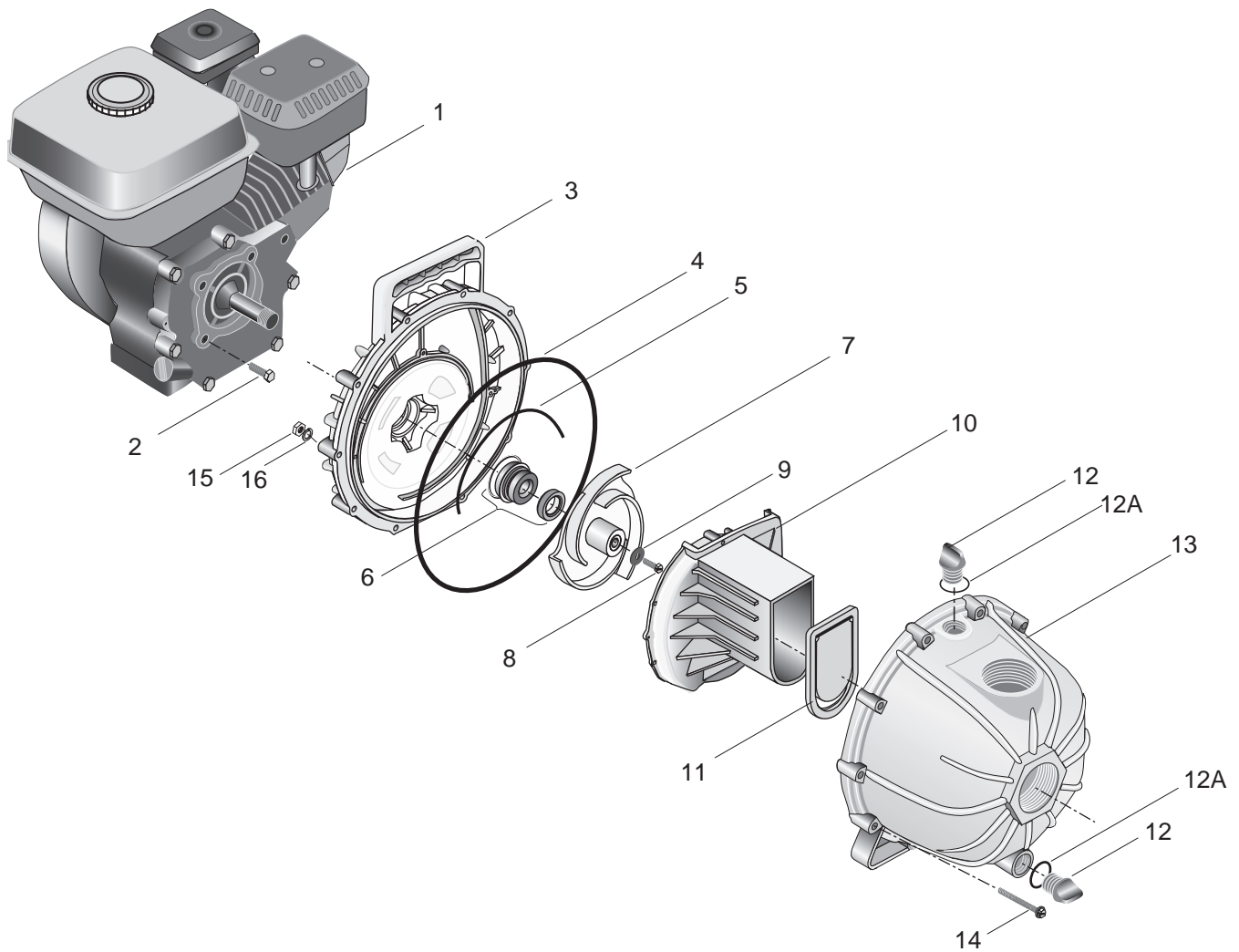
Profondeur de l'eau	Rendement en l/min aux pressions de refoulement					Lb/po ² max.
	103 kPa	172 kPa	241 kPa	310 kPa	345 kPa	
0 m	534	454	360	246	189	400
1,5 m	492	416	322	208	151	379
3 m	458	379	284	170	95	359
4,6 m	428	341	246	114	8	345
6,1 m	397	303	208	26	–	331
7,6 m	303	227	151	8	–	310

Guide de recherche des pannes

SYMPTÔME	CAUSE PROBABLE															
	MOTEUR				POMPE						SYSTÈME					
	A	B	C	D	E	F	G	H	I	J	K	L	M	N	O	P
Pas de débit d'eau					X	X	X				X	X	X			X
Débit d'eau insuffisant	X						X	X			X	X	X			X
Pression insuffisante	X						X	X			X	X	X			
Le moteur surchauffe excessivement		X	X					X	X	X		X			X	
Bruits et/ou vibrations anormaux				X	X		X			X		X	X	X		
La pompe fonctionne pendant un moment, puis s'arrête				X			X			X			X		X	X

CAUSE	REMÈDE
1. MOTEUR	
A. Régime trop lent	Se reporter à la rubrique traitant du moteur.
B. Frottement des pièces rotatives et/ou à mouvement alternatif	Se reporter à la rubrique traitant du moteur.
C. Régime trop élevé	Le régime maximum du moteur ne doit pas dépasser le régime recommandé par le fabricant.
D. Pièces desserrées ou cassées	Se reporter à la rubrique traitant du moteur.
2. POMPE	
E. Ne s'amorce pas	Réamorcer la pompe, inspecter le système d'aspiration à la recherche de fuites d'air et/ou inspecter le clapet.
F. Prend trop de temps à s'amorcer	Voir s'il n'y a pas de prise d'air du clapet antiretour ou s'il n'est pas défectueux.
G. Le débit de la pompe est partiellement ou complètement bouché	Déterminer où se trouve l'obstruction et l'enlever. Poser une crépine.
H. Fuite interne	Vérifier le dégagement entre la surface des vannes et du carter. Le dégagement ne doit pas dépasser 1/32 de pouce.
I. Les pièces rotatives frottent	Inspecter. Réparer.
J. Pièces desserrées ou cassées	Inspecter. Réparer.
3. SYSTÈME	
K. Les pressions requises par le système par rapport au débit de conception dépassent la pression nominale de la pompe	Comparer les pressions de la pompe et les débits par rapport au tableau de rendement de la pompe. Réduire la pression du système en conséquence. Augmenter la capacité de la pression de la pompe.
L. Obstruction dans le tuyau d'aspiration	Déterminer où se trouve l'obstruction; l'éliminer. Poser une crépine.
M. La hauteur géométrique d'aspiration est trop haute	Vérifier avec un calibre ou mesurer la distance verticale qu'il y a entre la surface de l'eau et la conduite centrale de la pompe en prenant en considération les pertes par friction dans le tuyau d'aspiration. Réduire le débit de façon à obtenir la hauteur de refoulement désirée. Se reporter au tableau de rendement de la pompe.
N. La hauteur de refoulement est trop basse	Diminuer le débit.
O. L'admission de l'aspiration n'est pas suffisamment immergée	Se reporter à « Installation ».
P. La conduite d'aspiration fuit ou prise d'air des raccords	Réparer la conduite d'aspiration ou la remplacer. Resserrer les raccords.

Vue éclatée de la pompe



Réf.	Désignation	Qté	Numéro de pièce
1	Moteur	1	*
2	Vis de fixation du moteur – 5/16-24 x 0,75	4	†
3	Plaque d'étanchéité	1	M13906
4	Joint torique, corps de la pompe	1	M13910
5	Joint du diffuseur (segment joint torique)	1	M13918
6	Joint mécanique	1	M13914
7	Impulseur	1	M13908
8	Vis de l'impulseur, 5/16-24 x 1,25	1	U30-986
9	Rondelle en caoutchouc pour la vis de l'impulseur	1	M13913
10	Diffuseur	1	M13907
11	Clapet à battant	1	M13909
12	Bouchon	2	M13911
12A	Joint torique, bouchon	2	M13912
13	Corps de la pompe	1	M13905
14	Vis à métaux à tête hexagonale, 1/4-20x2,5	10	†
15	Écrous, 1/4-20	10	†
16	Rondelle-frein	10	†
	• Vis autotaraudeuse, n° 6 x 1/2	2	†
	• Vis autotaraudeuse, n° 10 x 1 1/2	1	†

• Pièces pas illustrées.

† À acheter localement.

* Au besoin, remplacer toute la pompe.

FONCTIONNEMENT ET ENTRETIEN DU MOTEUR

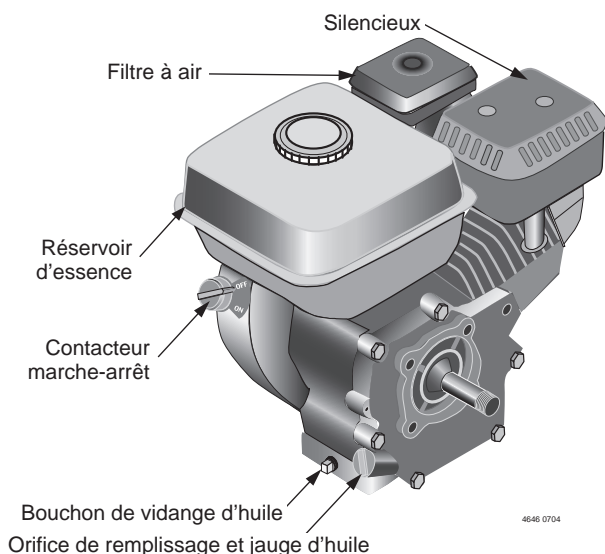
Consignes de sécurité concernant le moteur :

▲ WARNING **Risque d'incendie et d'explosion.**
L'essence peut exploser. Stocker l'essence loin du moteur. N'ajouter de l'essence dans le moteur que lorsqu'il est froid.

▲ WARNING **Risque de brûlures.** Surface chaude. Pendant qu'il fonctionne, le moteur devient très chaud. Ne pas toucher ses surfaces. Ne pas permettre aux enfants de s'en approcher. Avant de déplacer le moteur à l'intérieur, le laisser refroidir.

▲ WARNING **Vapeurs nocives.** Monoxyde de carbone. Ne jamais faire fonctionner le moteur dans un espace clos. Ne l'utiliser qu'à l'extérieur où l'aération sera bonne.

Fonctionnement du moteur



Avant de démarrer le moteur :

Le vérifier et faire le plein d'huile

Le moteur est expédié sans huile. Avant de le démarrer, faire le plein de son carter d'huile.

Pour cela, déposer le bouchon ou la jauge d'huile, puis ajouter de l'huile jusqu'à ce qu'elle arrive jusqu'à la partie inférieure de l'ouverture. Vérifier le niveau en introduisant la jauge d'huile propre dans le trou de remplissage d'huile. **NE PAS VISSER LA JAUGE.** Ressortir la jauge et l'inspecter. Faire le complément d'huile au besoin. Reposer le bouchon ou la jauge d'huile.

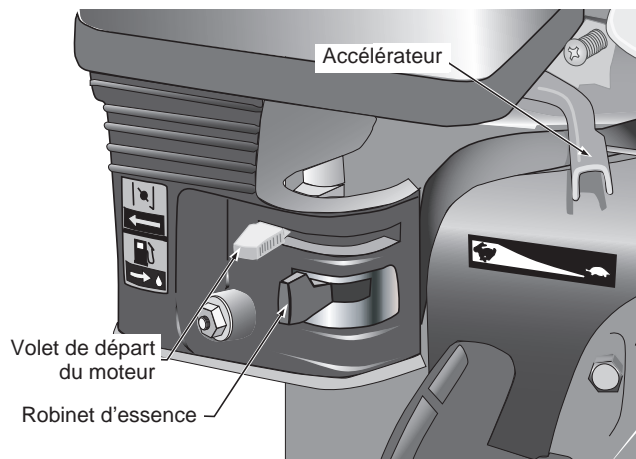
Le carter inférieur contient 60 centilitres (0,63 pinte) d'huile. Pour des conditions d'utilisation normales, utiliser de l'huile 10W-30. Utiliser de l'huile 10W40 si le moteur doit fonctionner par des températures supérieures à 32° C (90° F).

Le moteur est équipé d'un capteur de niveau d'huile. Si le niveau de l'huile chute trop bas, le capteur arrêtera le moteur.

Faire le plein d'essence

Faire le plein du réservoir avec de l'essence sans plomb fraîche ayant un indice d'octane de 88 ou plus élevé.

Ne pas faire déborder le réservoir. Avant de démarrer le moteur, essuyer l'essence renversée.



Ouvrir le robinet d'essence

Pour cela, le tourner à droite.

Fermer le volet de départ

Pour démarrer le moteur à froid, déplacer la commande du volet de départ à gauche (position fermée). Au fur et à mesure que le moteur se réchauffe, la déplacer à droite (position ouverte). Lorsqu'il est chaud, le moteur doit démarrer sans l'aide du volet de départ.

Positionner l'accélérateur

Le déplacer légèrement à gauche (contrôle du régime).

Déplacer le contacteur du moteur sur marche

Ce contacteur contrôle l'allumage. Le déplacer sur la position « Contact établi » (ON) pour démarrer le moteur et sur la position « Contact coupé » (OFF) pour l'arrêter.

Tirer sur le lanceur

À l'aide de sa poignée. Régler l'accélérateur au régime désiré. Déplacer le volet de départ à droite au fur et à mesure que le moteur se réchauffe.

Pour arrêter le moteur

Couper le contact (position OFF), puis fermer le robinet d'essence en le tournant à gauche.

Français

Entretien du moteur

Filtre à air

Le vérifier tous les mois à la recherche d'accumulation de saleté et de poussière. La cartouche filtrante doit être déposée et nettoyée tous les 6 mois avec du détergent et de l'eau tiède. La serrer dans une main pour enlever l'excès d'eau, puis la laisser sécher. Avant de la reposer, la tremper dans de l'huile à moteur. La serrer dans une main pour enlever l'excès d'huile. Reposer ensuite le filtre. Le moteur dégagera de la fumée au démarrage si la cartouche filtrante contient encore de l'huile.

Niveau d'huile

Le vérifier avant chaque utilisation du moteur.

Vidange d'huile

L'huile devra être vidangée après le premier mois de fonctionnement du moteur, puis tous les 6 mois (ou toutes les 100 heures de fonctionnement) par la suite. Avant de vidanger l'huile, laisser le moteur fonctionner jusqu'à ce qu'il soit chaud. L'arrêter, puis enlever le bouchon de vidange et laisser l'huile couler dans un bac. Reposer ensuite le bouchon de vidange et faire le plein d'huile du carter.

REMARQUE : Disposer de l'huile de façon responsable. Ne pas la vider dans un égout, dans la terre et ne pas s'en débarrasser dans un dépotoir. La plupart des municipalités offrent des points de collecte des huiles usées.

Bougie

La vérifier et la nettoyer tous les 6 mois ou toutes les 100 heures de fonctionnement.

La remplacer si elle est endommagée ou extrêmement usée.

Utiliser une bougie BPR6ES (NGK) ou une bougie équivalente. L'écartement de ses électrodes est de 0,75 mm (0,0030 po).

Diagnostic du moteur

Si le moteur ne démarre pas :

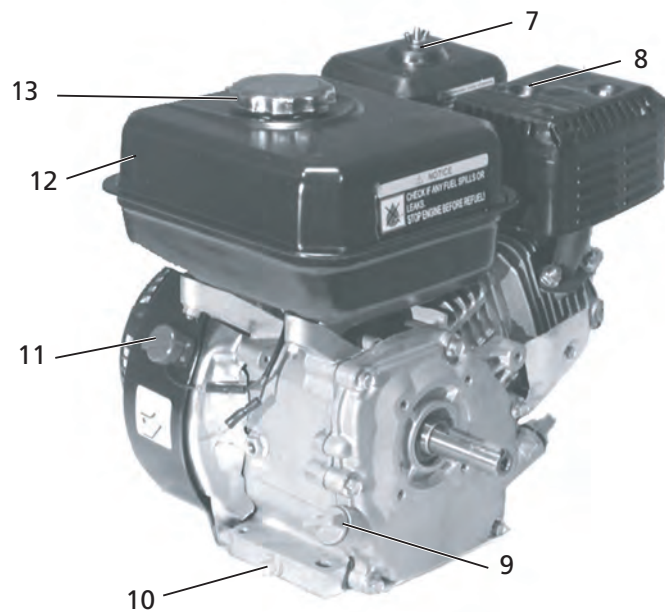
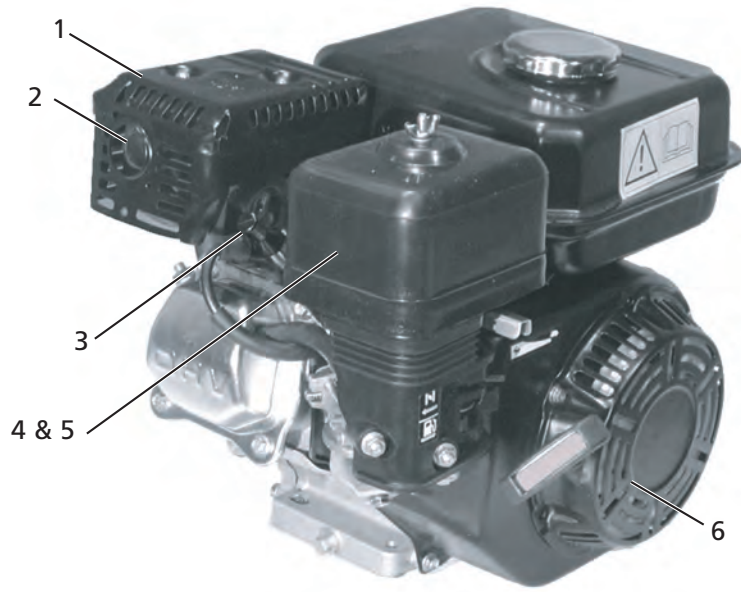
- S'assurer qu'il y a de l'essence dans le réservoir
- S'assurer que le robinet d'essence est ouvert et que le contact est établi (Sur ON)
- S'assurer qu'il y a suffisamment d'huile dans le carter pour que le capteur de niveau d'huile se réenclenche
- S'assurer que l'essence parvient au carburateur*
- Vérifier l'écartement des électrodes de la bougie*
- Ces vérifications doivent être effectuées par des personnes spécialisées en petits moteurs.

Remisage prolongé

Si la pompe doit être remise pendant plus d'un mois ou deux, procéder comme suit :

- Vider le réservoir d'essence
- Changer l'huile
- Verser quelques gouttes d'huile (ou un produit chimique prévu pour le remisage des moteurs) dans le trou de la bougie.
- Tourner lentement le moteur jusqu'à ce que l'on ressente une résistance (ce qui indique que les soupapes sont fermées)
- Reposer la bougie
- Couvrir le moteur

Pièces de rechange pour le moteur



Réf.	Désignation	Qté	Numéro de pièce
1	Couvercle du silencieux	1	2545-0011
2	Silencieux	1	2545-0010
3	Bougie (Utiliser une bougie de marque NGK, n° BPR6ES)	1	*
4	Couvercle du filtre à air	1	2545-0018
5	Cartouche filtrante du filtre à air	1	2545-0001
6	Lanceur (Comprend la corde, la poignée et le dispositif de rappel)	1	2545-0005
7	Écrou à oreilles du filtre à air	1	2545-0019
8	Fixations du couvercle du silencieux	2	2545-0020
9	Bouchon de remplissage d'huile	1	2545-0003
10	Bouchon de viande d'huile et rondelle	1	2545-0021
11	Contacteur marche-arrêt et couvercle	1	2545-0004
12	Réservoir d'essence	1	2545-0009
13	Bouchon du réservoir d'essence	1	2545-0002

* À acheter localement.

Garantie Simer pour la durée du Produit

SIMER garantit que les produits spécifiés au titre de la présente garantie sont exempts de vices de matériau et de fabrication.

Si, pendant le temps d'utilisation du produit par l'acheteur du produit, tout appareil éjecteur d'égout (Modèle 3963), pompes submersibles de puisard (Modèles 3995 and 3997) se révélait défectueux ou défectueuse, SIMER s'engage, à son choix, soit à réparer l'appareil, soit à le remplacer, conformément aux clauses et conditions stipulées ci-dessous.

Clauses et conditions générales

L'acheteur s'engage à payer tous les frais de main-d'oeuvre et d'expédition ayant rapport au remplacement du produit couvert par la présente garantie. Cette garantie ne s'applique pas aux catastrophes naturelles et sera nulle et non avenue si, d'après SIMER, le produit a fait l'objet de négligence, d'un abus, d'accident, d'une utilisation inadéquate, d'une altération, d'une transformation, d'une installation, d'un fonctionnement, d'un entretien ou d'un remisage inappropriés, ou s'il a fonctionné à des pressions dépassant les pressions maximales recommandées dans le manuel de l'utilisateur.

Pour bénéficier d'un service en vertu de cette garantie, le produit doit être retourné au marchand ou à SIMER dès que possible après la découverte du défaut allégué. SIMER s'engage à prendre les mesures correctives nécessaires aussi rapidement que possible dans un délai raisonnable.

La présente garantie stipule la totalité des obligations de SIMER et prescrit le seul recours possible de l'acheteur dans le cas où un produit se révélerait défectueux.

SIMER DÉCLINE TOUTES RESPONSABILITÉS POUR TOUS DOMMAGES INDIRECTS OU FORTUITS QUELS QU'ILS SOIENT. LA PRÉSENTE GARANTIE EST EXCLUSIVE; ELLE EST ACCORDÉE EN LIEU ET PLACE DE TOUTES AUTRES GARANTIES EXPRESSES OU IMPLICITES, Y COMPRIS, MAIS SANS LIMITATIONS, TOUTES GARANTIES MARCHANDES ET DE CONVENANCE DU PRODUIT À UNE FIN PARTICULIÈRE.

Certaines provinces ne permettent pas l'exclusion ou la limitation de dommages indirects ou fortuits ou les limitations relatives à la durée des garanties implicites. Par conséquent, il se peut que les limitations ou exclusions stipulées ci-dessus ne s'appliquent pas à votre cas. Cette garantie vous accorde des droits juridiques précis, mais d'autres lois peuvent exister selon la province.

SIMER • 293 Wright Street • Delavan, WI U.S.A. 53115

Téléphone: 1-800-468-7867 / 1-800-546-7867 • Télécopieur: 1-800-390-5351

Courrier électronique: info@simerpumps.com • Site Web: <http://www.simerpumps.com>

MOTEUR

Se reporter à la Notice d'utilisation du fabricant du moteur pour plus de renseignements concernant l'entretien et la garantie.

Español

IMPORTANTE

Para el mejor rendimiento y operación continua y satisfactoria posibles, lea estas instrucciones antes de instalar su nueva bomba. Si requiriese servicio, este manual puede ser una guía valiosa y debe ser guardado cerca de la instalación para inmediata referencia.

INSTALACION

UBICACION

Coloque la unidad tan cerca de la fuente de agua como sea posible para disminuir al mínimo la altura de succión, obtener el mejor rendimiento de bombeo y ayudar al cebado. En la Figura 1 se muestra una instalación portátil típica.

Para una instalación permanente, monte la unidad sobre una base que soporte el peso de la bomba y el motor y que proporcione además estabilidad mientras la bomba está en operación. Para instalaciones más permanentes, es aconsejable fijar directamente la unidad a la cimentación con pernos.

AVISO: El asentamiento y/o movimiento durante la operación puede causar que la tubería aplique demasiado esfuerzo a la bomba y puede dañar la caja de la misma. Coloque la bomba en una superficie firme bien nivelada.

CONEXION DE SUCCION

Conecte ya sea tubería rígida o manguera flexible de succión a la succión de la bomba como se muestra en la Figura 1. Si se usa manguera, ésta debe ser capaz de soportar la succión e impedir su colapso mientras la bomba está operando.

Haga que la línea de succión esté en una pendiente continua a partir desde la fuente de agua hasta la bomba. Los puntos altos pueden atrapar aire y también hacer más difícil el cebado. Asegúrese que todas las conexiones estén ajustadas y libres de fugas de aire.

⚠ ADVERTENCIA

Aspiración peligrosa.

Personas pueden quedar atrapadas contra la entrada de aspiración.

Siempre se debe usar un tamiz en la manguera de aspiración para evitar que alguien quede atrapado.

Proporcione una plataforma rígida para la bomba.

Tubo en T de cebadura, tapón y entrerroscas suministrados por el cliente.

Use un tubo o una manguera reforzada para hacer la conexión de aspiración. La manguera debe ser lo suficientemente fuerte para no desplomarse durante la operación.

La malla de aspiración debe ser al menos cuatro veces más grande que el área de la tubería de aspiración.

Toda la tubería de aspiración debe ascender en pendiente hacia la admisión de la bomba.

Apoye bien la tubería y los accesorios para reducir el esfuerzo sobre la caja de la bomba.

La admisión de aspiración debe tener al menos una profundidad cuatro (4) veces mayor que el diámetro de la tubería de aspiración para prevenir la formación de torbellinos.

Ejemplo: tubería de 2" x 4 = profundidad mínima de 8"

AVISO: La tubería o manguera de succión por lo menos debe ser del tamaño de la entrada de succión de la bomba para que ésta funcione correctamente.

La profundidad mínima de la entrada de succión está determinada por el diámetro de la línea de succión. Ver Figura 1.

AVISO: Use un cedazo de succión para impedir la entrada a la bomba de materias extrañas.

CONEXIONES DE DESCARGA

Su bomba viene equipada con una sola abertura de descarga. Seleccione el tamaño adecuado para el uso. Instale un tubo en "T" según se ilustra para permitir la cebadura de la bomba sin desconectar la tubería.

OPERACION

AVISO: No arranque u opere la bomba en seco porque, de hacerlo, ocurrirán daños al sello mecánico.

AVISO: Añada aceite al motor antes de arrancarlo. Consulte el manual de operación del motor antes de encenderlo.

CEBADO DE LA BOMBA

Una bomba autocebante sólo necesita ser cebada manualmente la primera vez que se arranca. Una vez que ha sido cebada, bajo condiciones normales, la bomba volverá a cebarse automáticamente en cada arranque subsecuente. Si la bomba se usa en aplicaciones portátiles y el agua ha sido drenada de la caja de la bomba, debe volverla a cebar antes de arrancarla.

Para cebar, saque el tapón de la salida superior de descarga y llene la bomba de agua. Vuelva a colocar el tapón y encienda la bomba. La bomba necesitará unos minutos para evacuar el aire de la línea de aspiración. Después de unos minutos de funcionamiento, la bomba estará completamente cebada y bombeará el agua. El tiempo de cebadura depende del largo y del diámetro de la tubería de aspiración.

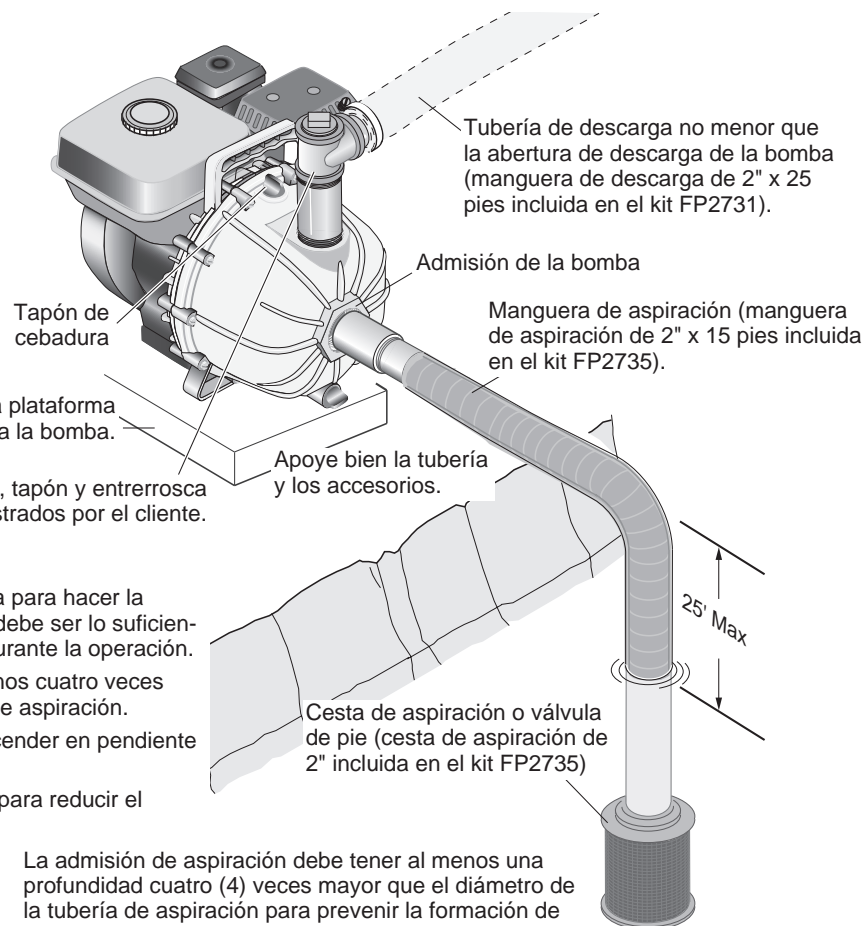


Figura 1 - Instalación típica

OPERACION DEL MOTOR

Consulte la sección de operación del motor en este manual para obtener las instrucciones de encendido y operación.

El desempeño de la bomba varía según las rpm del motor. Consulte la sección de operación del motor para ajustar su velocidad.

MANTENIMIENTO**LUBRICACION DE LA BOMBA**

El extremo líquido de la bomba no requiere grasa ni aceite para su lubricación. El sello mecánico es lubricado por agua al operar la bomba.

Funcionamiento

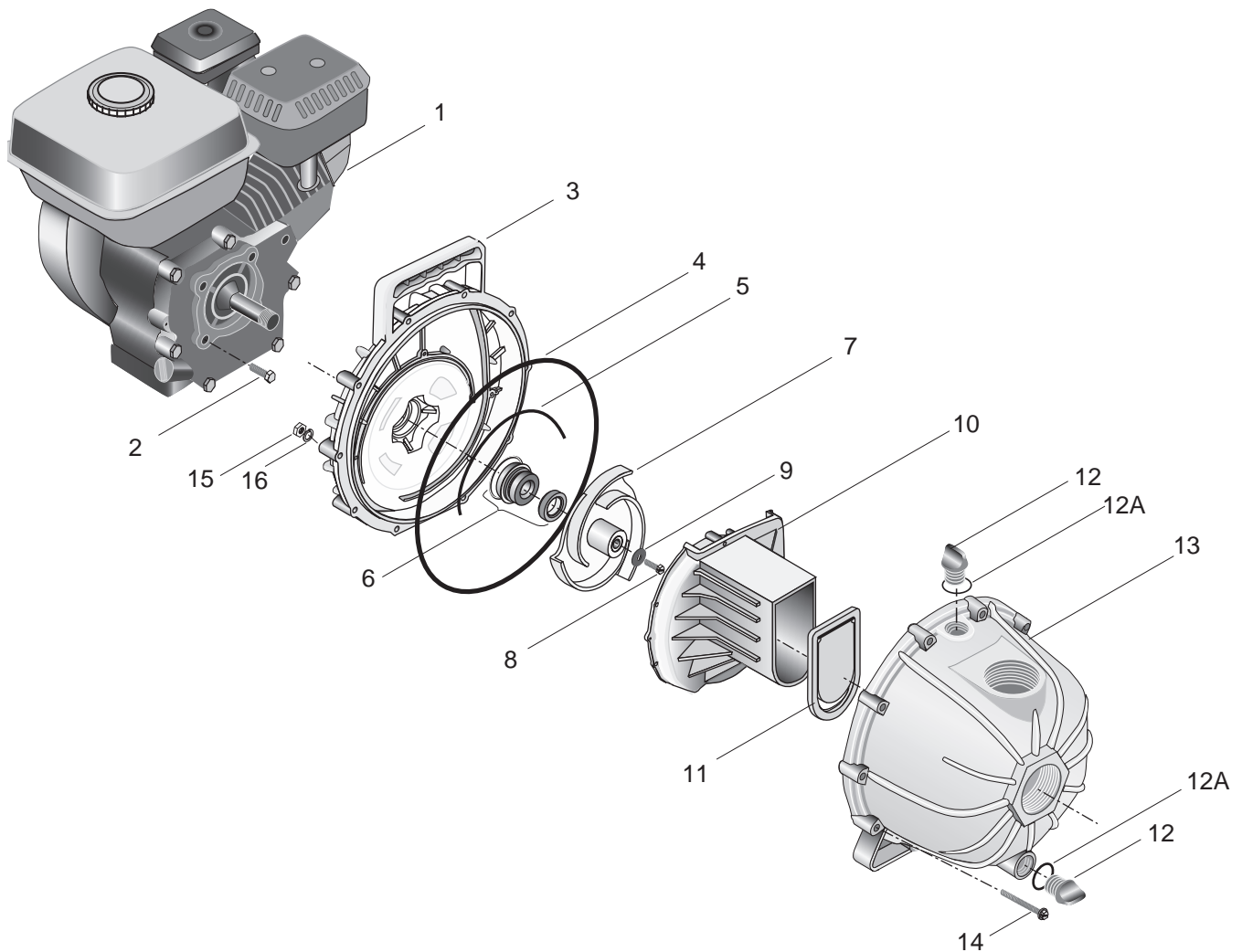
Profundidad del agua	Rendimiento en litros por min. a las Presiones de Descarga					Lbs/pulg. ² max.
	103 kPa	172 kPa	241 kPa	310 kPa	345 kPa	
0 m	534	454	360	246	189	400
1,5 m	492	416	322	208	151	379
3 m	458	379	284	170	95	359
4,6 m	428	341	246	114	8	345
6,1 m	397	303	208	26	–	331
7,6 m	303	227	151	8	–	310

Guía para detección y solución de problemas

SINTOMA	CAUSA PROBABLE															
	MOTOR				BOMBA						SISTEMA					
	A	B	C	D	E	F	G	H	I	J	K	L	M	N	O	P
No se entrega agua					X	X	X				X	X	X			X
No se entrega suficiente agua	X						X	X			X	X	X			X
No hay suficiente presión	X						X	X			X	X	X			
El motor se calienta excesivamente		X	X					X	X	X		X		X		
Ruidos y/o vibraciones anormales				X	X		X			X		X	X	X		
La bomba trabaja por un momento, luego se detiene				X			X			X			X		X	X

CAUSA	ACCION CORRECTORA
1. MOTOR	
A. Velocidad muy baja	Consulte la sección del motor.
B. Las partes rotatorias y/o reciprocantes se mueven muy lentamente	Consulte la sección del motor.
C. Velocidad demasiado alta	La velocidad máxima del motor no debe exceder la recomendada por el fabricante del motor.
D. Elementos sueltos o rotos	Consulte la sección del motor.
2. BOMBA	
E. No está cebada	Vuelva a cebar, inspeccione el sistema de succión para determinar si hay fugas de aire y/o el cabezal de la bomba.
F. La bomba toma mucho tiempo para cebar	Compruebe si hay fugas de aire o si la válvula de retención está defectuosa
G. El flujo a través de la bomba está total o parcialmente bloqueado	Ubique y retire la obstrucción. Instale un cedazo
H. Fugas internas	Compruebe la luz libre entre las aletas del impulsor y la caja. No debe exceder de 1/32"
I. Las partes rotatorias se mueven muy lentamente	Inspeccione. Repare
J. Elementos sueltos o rotos	Inspeccione. Repare
3. SISTEMA	
K. La presión requerida por el sistema para el flujo de diseño excede la presión nominal de la bomba	Compare la presión y flujo de la bomba contra la tabla de rendimiento de la misma. Reduzca los requisitos de presión del sistema. Incremente la capacidad de presión de la bomba.
L. Obstrucción en la tubería de succión	Ubique y retire la obstrucción. Instale un cedazo
M. La altura de succión es demasiado alta	Compruebe con un manómetro o mida la distancia vertical entre la superficie del agua y el centro de la bomba, considerando las piezas de fricción en la tubería de succión. Reduzca el flujo para obtener la succión deseada. Consulte la tabla de rendimiento de la bomba.
N. La presión de descarga es demasiado baja	Disminuya el flujo.
O. La entrada de succión no está suficientemente sumergida en el agua	Consulte "Instalación"
P. La tubería de succión tiene fugas o conexiones que admiten aire	Repare o reemplace la tubería de succión. Ajuste las conexiones.

Vista Despiezada de la Bomba



Artículo	Descripción	Cantidad	Número de pieza
1	Motor	1	*
2	Tornillos de montaje del motor, 5/16-24 x 0.75	4	†
3	Placa de sello	1	M13906
4	Aro tórico, unidad de la bomba	1	M13910
5	Empaquetadura del Difusor (Segmento del aro tórico)	1	M13918
6	Sello mecánico	1	M13914
7	Impulsor	1	M13908
8	Tornillo del impulsor, 5/16-24 x 1.25	1	U30-986
9	Arandela de caucho para el tornillo del impulsor	1	M13913
10	Difusor	1	M13907
11	Válvula de chapaleta	1	M13909
12	Tapón	2	M13911
12A	Aro tórico, Tapón	2	M13912
13	Caja de la bomba	1	M13905
14	Tornillo, Tornillo para metales con cabeza hexagonal, 1/4-20 x 2.5	10	†
15	Tuercas, 1/4-20	10	†
16	Arandela de presión	10	†
•	Tornillo, Difusor, #6 x 1/2 autorroscante	2	†
•	Tornillo, Difusor, #10 x 1-1/2 autorroscante	1	†

• No se ilustra.

† Adquirir localmente.

* De ser necesario, reemplace toda la bomba.

OPERACIÓN Y MANTENIMIENTO DEL MOTOR DE LA BOMBA

Precauciones de seguridad del motor:

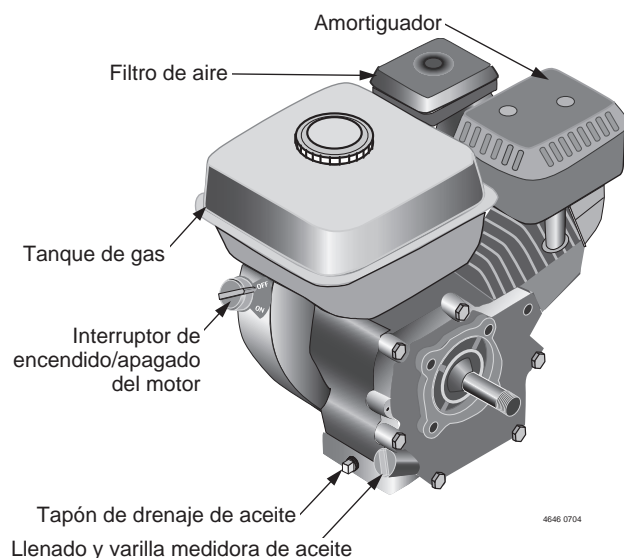
⚠ WARNING Peligro de incendio y explosión. La gasolina puede explotar. Guarde la gasolina lejos del motor. Agregue gasolina al motor sólo cuando esté apagado.

⚠ WARNING Peligro de quemadura. Superficie caliente. El motor se calienta mucho durante el funcionamiento. No toque las superficies del motor. Mantenga a los niños alejados. Permita que el motor se enfríe antes de moverlo al interior.

⚠ WARNING Gases fatales. Monóxido de carbono. Nunca haga marchar un motor en un lugar encerrado. Use sólo en exteriores con mucha ventilación.

Operación del motor

Antes de encender el motor:



Inspeccione y llene de aceite

El motor se despacha **sin aceite**. Se debe llenar antes de encenderlo.

Llene de aceite, sacando la tapa de llenado / varilla medidora. Agregue aceite hasta que el nivel llegue al fondo de la abertura. Verifique el nivel del aceite, empujando la varilla medidora limpia dentro de la abertura de llenado de aceite. **NO LA ATORNILLE**. Saque la varilla medidora y verifique. De ser necesario, agregue aceite. Vuelva a colocar la tapa / varilla medidora.

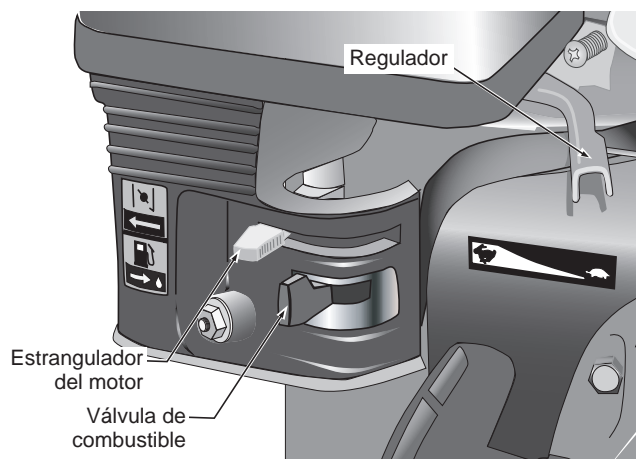
La capacidad de aceite es de 0.63 cuartos (0.6 litro). Se debe usar aceite 10W-30 en condiciones normales. Si el motor marchará a temperaturas superiores a los 90° F (32° C), use aceite 10W-40.

Observe que el motor tiene un sistema de monitoreo del nivel de aceite. Si el nivel del aceite desciende demasiado, el sistema apagará el motor automáticamente.

Agregue gasolina

Llene el tanque con gasolina fresca y limpia. Es necesario que sea combustible sin plomo con un octanaje de 86 o mayor.

No llene el tanque hasta que se desborde. Limpie toda gasolina que se haya derramado antes de encender el motor.



Abra la válvula de combustible

Mueva la válvula de combustible a la derecha para permitir que el combustible llegue al motor.

Cierre el estrangulador

Cuando encienda un motor frío, mueva el control del estrangulador hacia la izquierda (cerrado). A medida que el motor se calienta, mueva el estrangulador hacia la derecha (abierto). Un motor caliente se debe encender con el estrangulador abierto.

Coloque el regulador en posición

Mueva al regulador (control de velocidad) ligeramente hacia la izquierda.

Coloque el interruptor del motor en la posición de encendido

El interruptor del motor controla el encendido. Muévelo a la posición ON para encender el motor. El mismo control se usa para detener el motor.

Jale del estárter

Jale del mango en el estárter de retroceso. Ajuste el regulador a la velocidad deseada. Mueva el estrangulador hacia la derecha a medida que el motor se calienta.

Parada del motor

Detenga el motor, colocando el interruptor del motor en la posición OFF.

Coloque el control de combustible en la posición apagada "OFF" (izquierda).

Español

Mantenimiento del motor

Filtro de aire

Es necesario inspeccionar el filtro de aire todos los meses para verificar que no se haya acumulado polvo y suciedad. El elemento del filtro se debe sacar cada 6 meses para limpiarlo. Limpie el elemento de espuma con agua tibia y detergente. Escurra el exceso de agua y deje que se seque. Antes de volver a colocar el elemento del filtro, póngalo en remojo en aceite de motor y escurra el exceso. Vuelva a colocar el filtro.

El motor emitirá humo cuando se encienda si se ha dejado demasiado aceite en el elemento del filtro.

Nivel del aceite

Es necesario inspeccionar el nivel del aceite antes de cada uso.

Cambio de aceite

Se debe cambiar el aceite durante el primer mes, y luego cada 6 meses (o 100 horas de funcionamiento). Para drenar el aceite, deje marchar el motor hasta que se caliente. Apáguelo, saque el tapón de drenaje de aceite y drene el aceite en una bandeja. Vuelva a colocar el tapón y llene de aceite.

NOTA: Elimine el aceite usado en forma responsable. NO lo vierta por el desagüe, en el suelo ni en la basura. La mayoría de las comunidades tienen lugares de recolección para aceite usado.

Bujías

Es necesario chequear y limpiar las bujías cada 6 meses o cada 100 horas. Si la bujía está averiada o demasiado gastada, se deberá reemplazar.

Use bujía tipo BPR6ES (NGK) o equivalente. El intervalo de la bujía debe ser 0.030 in. (0.75 mm)

Localización de fallas del motor

Si el motor no arranca:

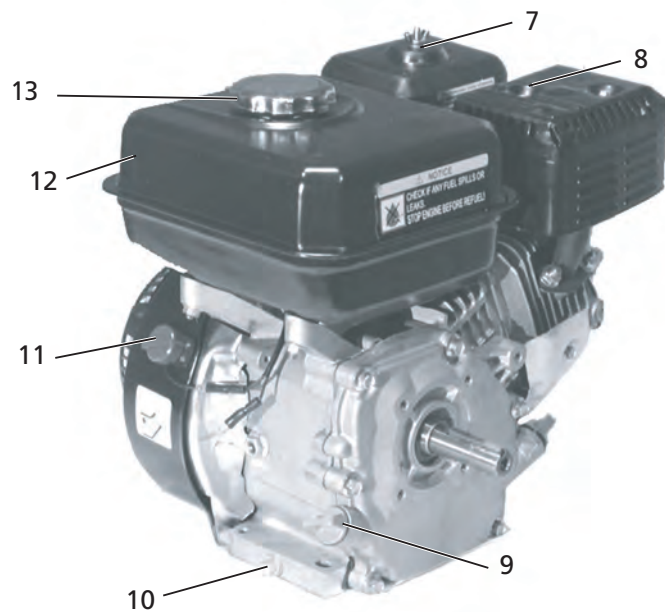
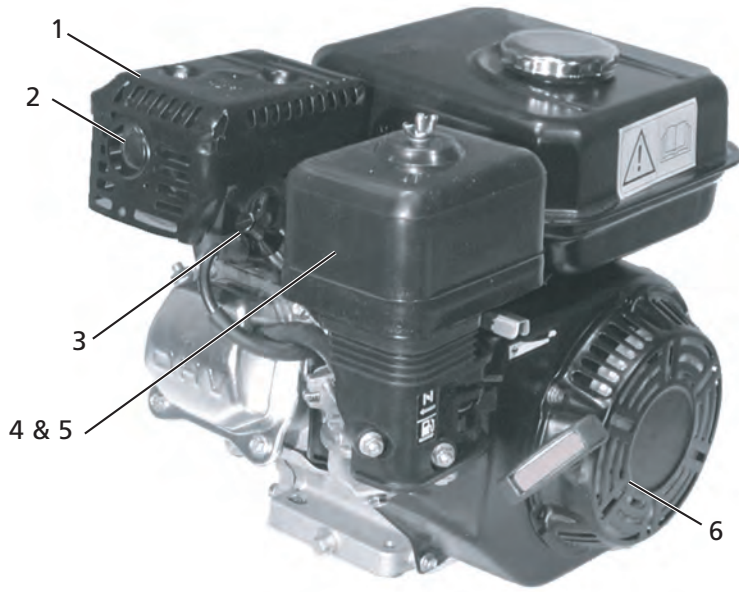
- Verifique que haya gasolina en el tanque
- Verifique que la válvula de combustible esté en la posición ON y que el interruptor del motor esté en la posición ON
- Verifique que haya suficiente aceite en el motor para reposicionar el detector de nivel bajo de aceite
- Verifique que el combustible llegue al carburador*
- Verifique que haya una chispa en la bujía*
- Estas verificaciones deben ser realizadas por personas con experiencia en motores pequeños.

Almacenamiento prolongado

Si la bomba estará almacenada por más de uno o dos meses, siga las siguientes instrucciones.

- Drene la gasolina
- Cambie el aceite
- Agregue un chorro de aceite (o una sustancia química para guardar motores) en el orificio de la bujía.
- Haga girar el motor lentamente hasta que se sienta resistencia (eso indica que ambas válvulas están cerradas).
- Instale la bujía
- Cubra el motor

Piezas de repuesto del motor



Artículo	Descripción	Cantidad	Número de pieza
1	Cubierta del amortiguador	1	2545-0011
2	Amortiguador	4	2545-0010
3	Bujía (use marca NGK #BPR6ES)	1	*
4	Cubierta del filtro de aire	1	2545-0018
5	Cartucho del filtro de aire	1	2545-0001
6	Unidad del estarter (incluye cuerda, mango y unidad de retroceso)	1	2545-0005
7	Tuerca de mariposa para el filtro de aire	1	2545-0019
8	Tuercas de montaje para la cubierta del amortiguador	1	2545-0020
9	Tapa de llenado de aceite	1	2545-0003
10	Tapón de drenaje de aceite y arandela	1	2545-0021
11	Interruptor de encendido / apagado y cubierta	1	2545-0004
12	Tanque de combustible	2	2545-0009
13	Tapa del tanque de combustible	1	2545-0002

• Adquirir localmente.

Garantía Simer de por vida

SIMER garantiza que los productos especificados en esta garantía están libres de defectos en material y mano de obra.

Si dentro del período de uso del producto por parte del propietario del mismo, se comprobara que cualquiera de los siguientes productos, Ejector de Aguas Residuales (Modelo 3963), Bombas sumergibles para sumideros (Modelos 3995 and 3997), fuese defectuoso, éste será reparado o reemplazado a opción de SIMER, sujeto a los términos y a las condiciones indicadas a continuación.

Términos y condiciones generales

El propietario deberá pagar todos los gastos de mano de obra y de envío necesarios para reemplazar el producto cubierto por esta garantía. Esta garantía no corresponde en casos de Fuerza Mayor, ni responderá en casos de productos que, a solo juicio de SIMER, hayan estado sujetos a negligencia, abuso, accidente, mala aplicación, manipulación, alteración; ni en casos de instalación, operación, mantenimiento o almacenamiento inadecuados o excesos de los máximos recomendados según se indicara en el manual del propietario.

Las solicitudes de servicio bajo esta garantía deberán hacerse por medio de la devolución del producto a la tienda minorista o a SIMER tan pronto como se haya descubierto el supuesto defecto. SIMER entonces adoptará medidas correctivas tan pronto como sea razonablemente posible.

Esta garantía establece la única obligación por parte de SIMER y el recurso exclusivo del comprador por productos defectuosos.

SIMER NO SE HARÁ RESPONSABLE DE NINGÚN DAÑO O PERJUICIO CONSECUENTE, INCIDENTAL O CONTINGENTE DE CUALQUIER TIPO. LA GARANTÍA QUE ANTECEDE ES EXCLUSIVA Y EN LUGAR DE TODA OTRA GARANTÍA EXPLÍCITA O IMPLÍCITA, INCLUYENDO, PERO SIN LIMITARSE A TODA GARANTÍA IMPLÍCITA DE COMERCIALIZABILIDAD E IDONEIDAD PARA UN FIN ESPECÍFICO.

Ciertos estados no permiten la exclusión o limitación de daños y perjuicios incidentales o consecuentes o la limitación del período de una garantía implícita, de manera que es posible que las limitaciones o exclusiones que anteceden no correspondan en su caso. Aunque esta garantía identifica recursos específicos, es posible que usted pueda tener otros derechos y recursos.

SIMER • 293 Wright Street • Delavan, WI U.S.A. 53115
Teléfono: 1-800-468-7867 / 1-800-546-7867 • Fax: 1-800-390-5351
e-Mail (correo electrónico): info@simerpumps.com • Dirección web:
<http://www.simerpumps.com>

MOTOR:

Consulte el manual de operación del fabricante del motor para obtener información completa sobre su mantenimiento y garantía.

