

Trash Pump

Illustrated Parts List

Questions? Help is just a moment away!

Vous avez des questions? Vous n'avez pas besoin d'aller
loin pour trouver de l'aide!

Preguntas? La ayuda es justa un momento lejos!

Call: **Helpline**

Appelez: **Ligne d'assistance**

Llame: **Línea Directa**

1-800-743-4115 M-F 8-5 CT

BRIGGSandSTRATTON.COM

073022

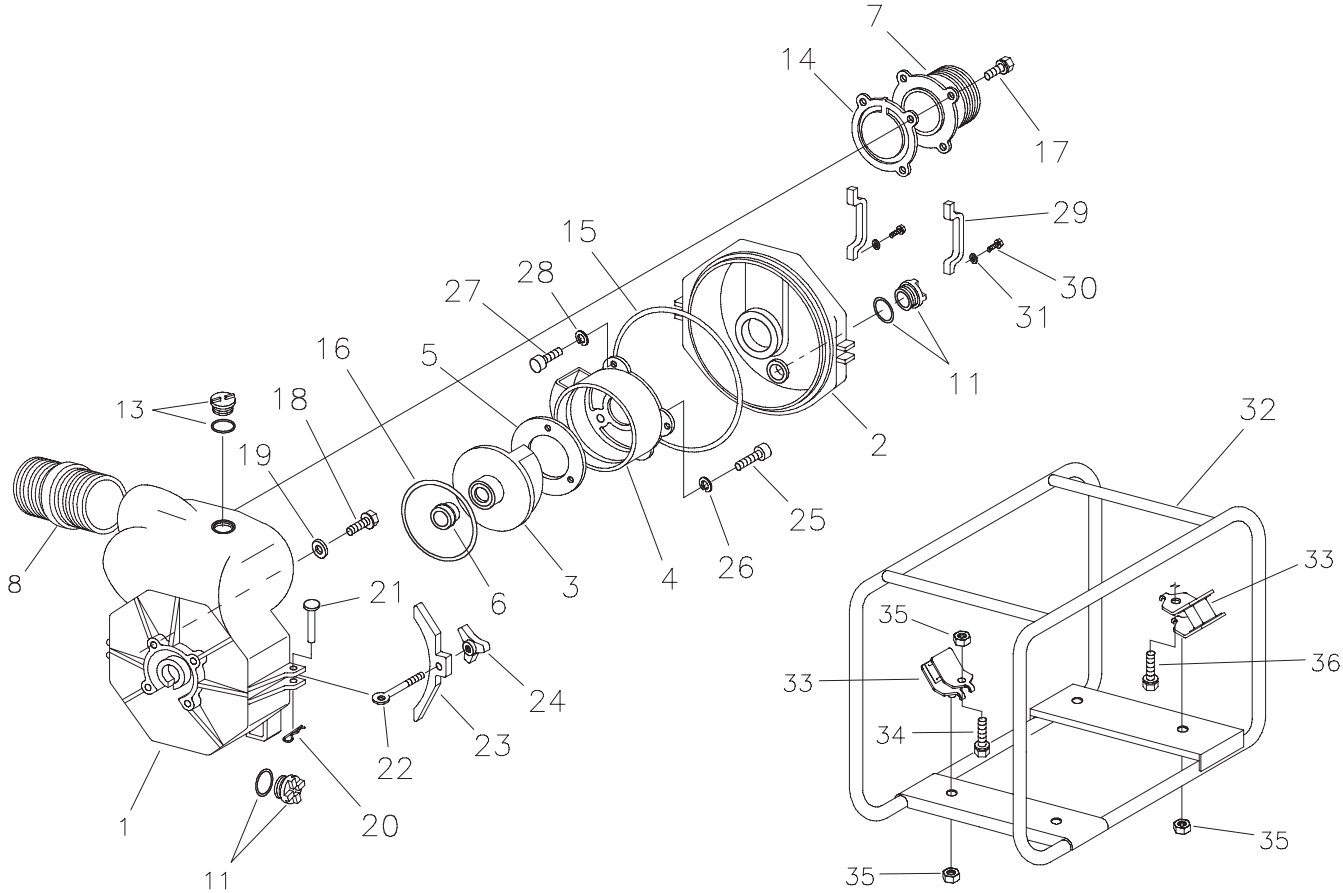
VOX
INDUSTRIAL™

POWERED by
HONDA™

BRIGGS & STRATTON POWER PRODUCTS GROUP, LLC
JEFFERSON, WISCONSIN, U.S.A.

Manual No. 204370A Revision - (12/27/2007)

EXPLODED VIEW



Copyright © 2007 Briggs & Stratton Power Products Group, LLC. All rights reserved. No part of this material may be reproduced or transmitted in any form by any means without the express written permission of Briggs & Stratton Power Products Group, LLC.

PARTS LIST

Item	Part #	Description
1	205231GS	CASING
2	205232GS	COVER, Casing
3	205233GS	IMPELLER
4	205234GS	INNER CASING
5	205235GS	LINER
6	205236GS	SEAL, Mechanical
7	205237GS	VALVE CASE, NPT, 2"
	205603GS	VALVE CASE, BSP, 2"
8	205238GS	FITTING, Pipe, NPT, 2"
	205604GS	FITTING, Pipe, BSP, 2"
11	205239GS	ASSY, Plug
13	205240GS	ASSY, Priming Plug
14	205241GS	CHECK VALVE
15	205324GS	O-RING
16	205325GS	O-RING
17	*	HEX BOLT, M8 x 25
18	*	FLANGE BOLT, M8 x 50
19	205299GS	WASHER, Rubber
20	205242GS	SNAP PIN
21	205243GS	RIVET
22	205244GS	COVER BOLT
23	205245GS	CASING COVER HOLDER
24	205246GS	KNOB
25	*	HEX SOCKET BOLT, M6 x 16
26	*	LOCK WASHER, M6
27	*	HEX SOCKET BOLT, M8 x 20
28	*	LOCK WASHER, M8
29	205247GS	DRAIN COVER HANDLE
30	*	HEX BOLT, M6 x 25
31	*	WASHER, M6
32	205248GS	CRADLE
33	205249GS	ANTI VIBRATION, Rubber
34	*	HEX BOLT, M8 x 40
35	*	FLANGE NUT, M8
36	*	HEX BOLT, M8 x 20

Parts Not Illustrated

§	ENGINE, Honda
204370GS	MANUAL, Operator's
203522GS	DECAL, Warning, Fuel Tank
204540GS	DECAL, Warning, Vertical

* - Items without part numbers are common fasteners and can be found at your local hardware store.

§ - Contact Engine Manufacturer